



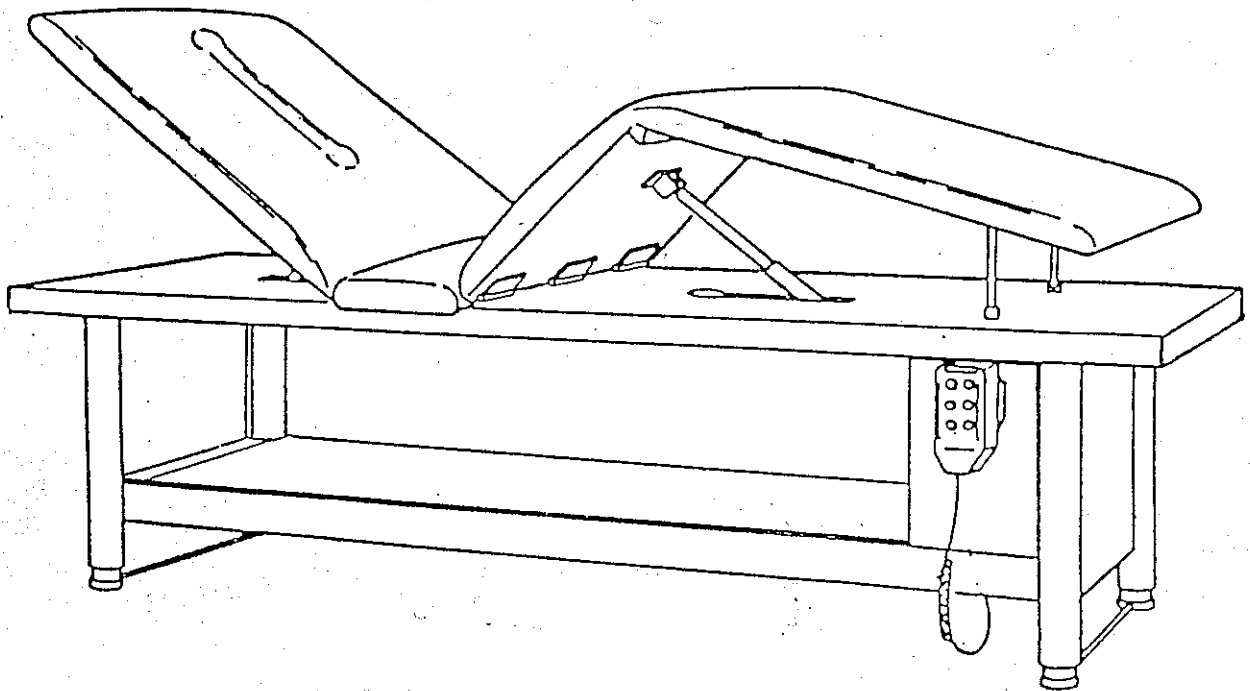
TRI W-G[®]
I N C O R P O R A T E D

PO BOX 905
VALLEY CITY, ND 58072
(701)845-3984

1-800-437-8011

OPERATION AND MAINTENANCE MANUAL

MODEL 813



Read this Manual prior to operation
Limited Warranty Registration Card Enclosed

Important Essential Information Concerning the 813 Examination Table Series

**“Do not use or operate this device until this manual
has been read and understood.”**

The 813 Examination Table series has a Class 1 type protection against electric shock.



Above Symbol indicates that the degree of protection against electric shock is Type B Applied Parts.

The degree of protection against the ingress of water is Ordinary for the 813 Examination Table series.

The maximum continuous use of the motor on the 813 Examination Table series is 9 minutes per hour



Above symbol means – Attention, Consult Accompanying Documents

The 813 Examination Table series of equipment are Ordinary Equipment.

The 813 Examination Table series equipment have external accessible fuses in the line and neutral. Replace fuses with only 5 x 20 mm – 10 Amp – Time Lag Fuses with High Breaking Capacity. The fuse holder is located on the bottom of the motor housing where the main power supply is attached. First unplug power supply cord from fuse holder then depress plastic retainer clip with your thumb and pull fuse tray down. Replace fuses as necessary. Replace fuse tray into fuse holder and push upward until the tray snaps back into place. Then plug power supply back into fuse holder.



The 813 Examination Table series of equipment is not suitable for use in the presence of a flammable anesthetic mixture with air or with oxygen or nitrous oxide.



The above symbol means Protective Earth Terminal.



The Power Supply Cord is the main disconnect device.



Please note – The illustration of the Wiring Diagram on page 13 does not reflect the current motor, power supply, and fuse holder in use. Please contact manufacturer at 1-800-437-8011 for an updated Wiring Diagram for this piece of equipment.



Please note – The Illustration of the Electrical Parts and parts lists on pages 20 and 21 do not reflect the current motor, power supply, and fuse holder in use. Please contact the manufacturer at 1-800-437-8011 for an updated Illustration of the Electrical Parts and Electrical Service Parts list on this piece of equipment.



Please note – We will forward a new manual once all of the illustrations and figures have been updated to reflect the current motor, power supply, and fuse holder in use. Please contact the manufacturer at 1-800-437-8011 if you have any questions.

WITH RESPECT TO ELECTRIC SHOCK,
FIRE AND MECHANICAL HAZARDS ONLY
IN ACCORDANCE WITH UL 2601-1
6WA3

WITH RESPECT TO ELECTRIC SHOCK, FIRE MECHANICAL
AND OTHER SPECIFIED HAZARDS ONLY
IN ACCORDANCE WITH CAN/CSA C22.2 NO. 601.1,
(CAN/CSA 601.2XX, IF APPLICABLE)
MEDICAL EQUIPMENT CERTIFIED FOR CANADA
6WA3



**MODEL 813
TABLE OF CONTENTS**

IMPORTANT ESSENTIAL INFORMATION.....i, ii, iii, iv

TABLE OF CONTENTS.....1

INTRODUCTION.....2

GENERAL DESCRIPTION.....2

WARRANTY.....3

USER RESPONSIBILITY/TRACEABILITY.....Insert

SPECIFICATIONS.....4

GENERAL OPERATION GUIDELINES

 DEFINITION – CAUTION.....5

 DEFINITION – WARNING.....5

 TABLE SET-UP & OPERATION.....5-6

HAND HELD CONTROL ILLUSTRATIONS.....7

SERVICE AND MAINTENANCE.....8-9

SERVICE MAINTENANCE PROGRAM.....10

TROUBLE SHOOTING.....11-12

WIRING DIAGRAM.....13

SERVICE PARTS.....14

 FRAME & ATTACHING PARTS.....15

 ELEVATION DRIVE ASSEMBLY.....16-17

 HEAD/BACKREST & KNEE ASSEMBLY.....18-19

 813 ELECTRICAL GROUP.....20-21

 813 DOOR OPTION.....22

SERVICE MAINTENANCE LOG.....23

INTRODUCTION

This manual describes the procedures for the proper operation and maintenance of the Model 813 pneumatic table. Operators, PLEASE read this manual thoroughly before using the Model 813 pneumatic table, paying close attention to all details of correct operation and the precautionary measures that are recommended. All maintenance procedures described in this manual are designed to be performed by the operator of the Model 813 pneumatic table.

GENERAL DESCRIPTION

The Model 813 pneumatic table is a treatment table designed specifically to provide the therapist with table adjustments that bring the patient into position for proper treatment. The table features three (3) distinct motorized adjustments: 1) The direct vertical elevation adjustment offers total table stability at all available heights, easy patient accessibility and operator convenience. 2) The Head/Backrest section of the table provides angle adjustments from a horizontal position to 65°. 3) The knee adjustment feature provides adjustments from flat horizontal position to 47°. The Head/Backrest section of the table features a "breathing slot" which ensures that the patient in the prone position is comfortable during treatment.

LIMITED WARRANTY

This Product or Part is sold by TRI W-G, INC. under the limited warranties set forth in the following paragraphs. Such warranties are extended only with respect to the Purchase of the Product or Part as new merchandise directly from TRI W-G, INC. or a TRI W-G, INC. Authorized Dealer and are extended to the ultimate customer purchaser of the TRI W-G, INC. Product or Part.

TRI W-G, INC. warrants that each Product or Part sold hereunder shall be free of defects in material and workmanship for the Product warranty period identified as follows:

Five Years: structural frame and major moving components.

365 Days: upholstery.

(Please note the aforementioned limited warranty is limited to original owner and not transferable.)

in the case of Products and twelve months in the case of Parts from the date of delivery from TRI W-G, INC. or an authorized TRI W-G, INC. Dealer, whichever is later. Should defects appear in any Products subject to this limited warranty and Parts subject to this limited warranty sold hereunder within the respective limited warranty period, TRI W-G, INC. will repair or replace under the terms of this limited warranty any defective Part or Parts or provide new or remanufactured Parts when the defective Part or Parts are returned to TRI W-G, INC. facilities at Buyer's expense upon (20) days prior written notice to TRI W-G, INC. Buyer will be charged for any replacement Parts when shipped to Buyer by TRI W-G, INC. When the defective Parts are returned to TRI W-G, INC. pursuant to TRI W-G, INC. returned goods authorization, charges will be waived.

This limited warranty does not apply to any Products or Parts which have been damaged through misuse, negligence or accident (including shipping damage) on the part of Buyer or any third party. This limited warranty does not apply to any Product in which Parts other than replacement Parts or Parts approved by TRI W-G, INC. have been used if said Parts are or may be the cause of failure.

FOR ANY BREACH OF WARRANTY, EXPRESSED OR IMPLIED, THE LIABILITY OF TRI W-G, INC. IS HEREBY EXPRESSLY LIMITED, AND SUBJECT TO THE TERMS HEREIN, TO THE REPAIR OR REPLACEMENT OF ANY PRODUCT OR PART WHICH SHALL APPEAR TO BE DEFECTIVE IN THE OPINION OF TRI W-G, INC. THIS WARRANTY IS IN LIEU OF ALL OTHER WARRANTIES, EXPRESSED OR IMPLIED, INCLUDING WARRANTIES OF MERCHANTABILITY AND FITNESS FOR A PARTICULAR PURPOSE. IN NO EVENT SHALL TRI W-G, INC. BE LIABLE FOR ANY SPECIAL, INCIDENTAL OR CONSEQUENTIAL DAMAGES. NO CLAIM FOR BREACH OF WARRANTY FOR PRODUCTS OR PARTS FURNISHED HEREUNDER SHALL BE ASSERTED AGAINST TRI W-G, INC. MORE THAN TWENTY (20) DAYS AFTER THE EXPIRATION OF THE WARRANTY PERIOD.

TRI W-G, INC.
215 12TH AVENUE NE
VALLEY CITY, ND 58072
1-800-437-8011
1-701-845-3984

SPECIFICATION – MODEL 813 TABLE

HEIGHT, Overall.....	88.26 cm (34¾ inches)
LENGTH.....	2.03m (80 inches)
WIDTH.....	70.36CM (27.7 inches)
WEIGHT.....	.696.65 kg (316 lbs.)
WEIGHT, Shipping.....	.895.07 kg (406 lbs.)
RANGE, Vertical.....	57.79 cm to 88.27 cm (22¾ to 34¾ inches)
RANGE, BACKREST.....	Horizontal to 65°
RANGE, KNEE.....	Horizontal to 47°
COVER.....	Fire Retardant Vinyl
PAD.....	1.5 inches of Fire Resistant Polyfoam
FINISH.....	Polyurethane Porcelain or Pearl Gray enamel with Chromium Plated trim. Special colors available.
ELECTRICAL.....	59 rpm gear reduction; 3 drive motors, 2 tilt & 1 vertical; 8.8 AMPS Safety Limit Switch, Ordinary 115 V, 15 AMP, 60 cycle, 3-wire grounded circuit.
DRIVE.....	Chain driven acme screw
WARRANTY PERIOD.....	.60 months in the case of Products and 12 months in the case of Parts from the date of delivery.

TRI W-G, INC. RESERVES THE RIGHT TO MAKE CHANGES IN SPECIFICATION OR IMPROVEMENTS ON ITS PRODUCTS WITHOUT INCURRING OBLIGATIONS TO ADD THEM TO ANY MACHINE IN EXISTENCE.

GENERAL OPERATION GUIDELINES

CAUTION—Denotes a general reminder of good safety practices indicates a condition that may lead to equipment damage or malfunction.

WARNING—Indicates a potentially harmful situation.

BECOME FAMILIAR WITH THE CONTROLS AND THEIR INDIVIDUAL RESPONSES BEFORE OPERATING THE MODEL 813 TABLE.

TABLE SET-UP & OPERATION

STEP 1: Remove Model 813 pneumatic table from the shipping crate.

STEP 2: Visually check to assure that no damage has occurred.

STEP 3: Visually check to assure all fasteners are in place and secure.

STEP 4: Position the table on a level surface in an area where SAFE operation by the therapist and ease of patient accessibility to the table can be maintained.

STEP 5: (115V, 15 AMP, 60 Hz Power supply required). Ensure that the proper power is available, then plug power cord into a (three prong) grounded receptacle. See SPECIFICATIONS on page 4 for Electrical Requirements.

STEP 6: The Model 813 pneumatic table is equipped with (1) one hand held switch which has a magnetic backing allowing it to be stored when not in use on the side panels of the motor compartment. This hand switch controls three separate adjustment features of the table.

CAUTION: ENSURE THAT THE PATIENT IS POSITIONED PROPERLY ON THE TABLE BEFORE MAKING ANY TABLE ADJUSTMENTS.

CAUTION: TO AVOID POSSIBLE PERSONAL INJURY, STAY CLEAR FROM UNDER ANY PORTION OF THE MODEL 812 PNEUMATIC TABLE WHEN LOWERING.

TABLE SET-UP AND OPERATION

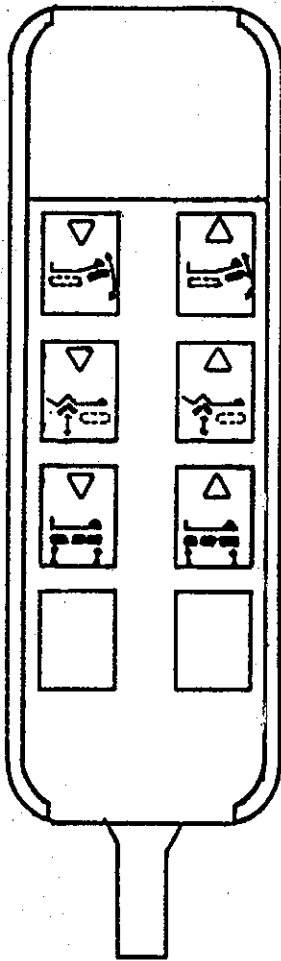
STEP 6: Continued – HANDHELD CONTROL SWITCH OPERATION

HEAD/BACKREST CONTROL BUTTONS: The “HEAD” control buttons control the angle position of the Head/Backrest section of the table. To raise the Head/Backrest, DEPRESS and HOLD the “UP” button until the desired angle is obtained. When the desired angle is obtained, RELEASE the “UP” button and the Head/Backrest will remain at the angle. The HEAD/BACKREST CAN BE SET TO ANY ANGLE FROM HORIZONTAL TO 65°. To lower the “HEAD” Control, DEPRESS and HOLD the “DOWN” button until desired angle is obtained. When the desired angle is obtained, RELEASE the “DOWN” button. The Head/Backrest will remain at that angle.

KNEE CONTROL BUTTONS: The “KNEE” buttons control the angle of the knee section of the table. To raise the knee section of the table, DEPRESS and HOLD the knee “UP” button on the handheld control. RELEASE the “UP” button when the desired angle is obtained. THE ADJUSTMENT ANGLE OF THE KNEE SECTION RANGES FROM “HORIZONTAL” to 47°. To lower the knee section, DEPRESS and HOLD the “DOWN” button on the hand held control until desired angle is obtained and then RELEASE THE “DOWN” button.

TABLE CONTROL BUTTONS: The elevation of the Model 813 pneumatic is controlled by the “TABLE” buttons. To raise the entire table, DEPRESS and HOLD the “UP” button until desired height is obtained. When the desired table height is obtained, RELEASE the “UP” button and the table will remain at that height. THE TABLE HEIGHT IS ADJUSTABLE FROM 22¾ TO 34¾ INCHES. To lower the table height, DEPRESS and HOLD the “DOWN” button until the desired height is obtained. When the desired height is obtained, RELEASE the “DOWN” button and table will remain at that height.

**NOTE: FOR ILLUSTRATION OF HAND HELD PNEUMATIC CONTROL -----
REFER TO PAGE 7**



MODEL 813 HAND CONTROL
900-025-003

SERVICE AND MAINTENANCE

CHAIN TIGHTENING:

1. Extend head cushion actuator and knee cushion actuator to one-half stroke.
2. Disconnect electrical power.
3. Refer to Page 18. Remove bolts (Item 36).
4. Refer to Page 16. Remove bolts (Item 5) at knee cushion end of table. Remove Cushions (Items 2, 15, 14) by removing bolts (Item 13).
5. Refer to Page 13. Remove plates (Items 2 and 15). Remove plate, cover (Item 8),
6. Refer to Page 14. Loosen bolts (Item 29), slide motor until chain tension is firm but not strained. Re-tighten bolts.
7. Replace all parts in opposite order of disassembly.

LIMIT SWITCHES:

WARNING – DO NOT ADJUST ANY LIMIT SWITCHES THAT ARE IN/ON THIS TABLE. LIMIT SWITCHES ARE ADJUSTED AT THE FACTORY AND DO NOT REQUIRE FURTHER ADJUSTMENT.

SUGGESTED CLEANING PROCEDURES FOR VINYL:

ORDINARY DIRT – Ordinary dirt can be removed by washing with warm water and a mild soap. Apply soapy water to a large area and allow to soak for a few minutes. Brisk rubbing with a cloth should then remove most dirt. This procedure may be repeated in case of stubborn or imbedded dirt. A soft bristle brush may be used after the soap has been applied.

TRI W-G CUSTOMER SERVICE:

In all states except North Dakota:

1-800-437-8011

In North Dakota:

1-701-845-3984

SERVICE MAINTENANCE PROGRAM

This device has been designed and built to provide many years of reliable service. To keep this device in good operating condition, a service maintenance program should be established to assure continued trouble-free service.

The below items should be included in the service maintenance program. A checklist has been provided at the back of this manual to provide an area to document the date of inspection and comments.

1. Assure hand and/or foot control is functioning as it should.
2. Assure all bolts and screws are tight.
3. Assure power cord does not show signs of wear or damage.
4. Visually inspect device while operating to assure it is functioning as it should.

REPAIR OR REPLACE ANY ITEM THAT APPEARS WORN OR UNSAFE!!!!!!!!!!!!!!

TROUBLESHOOTING

Listed below are several problems that a technician may encounter during the service life of a Model 813 pneumatic table. While all possible problems and solutions cannot be identified, the following information will assist in identifying the majority of problems that may be encountered.

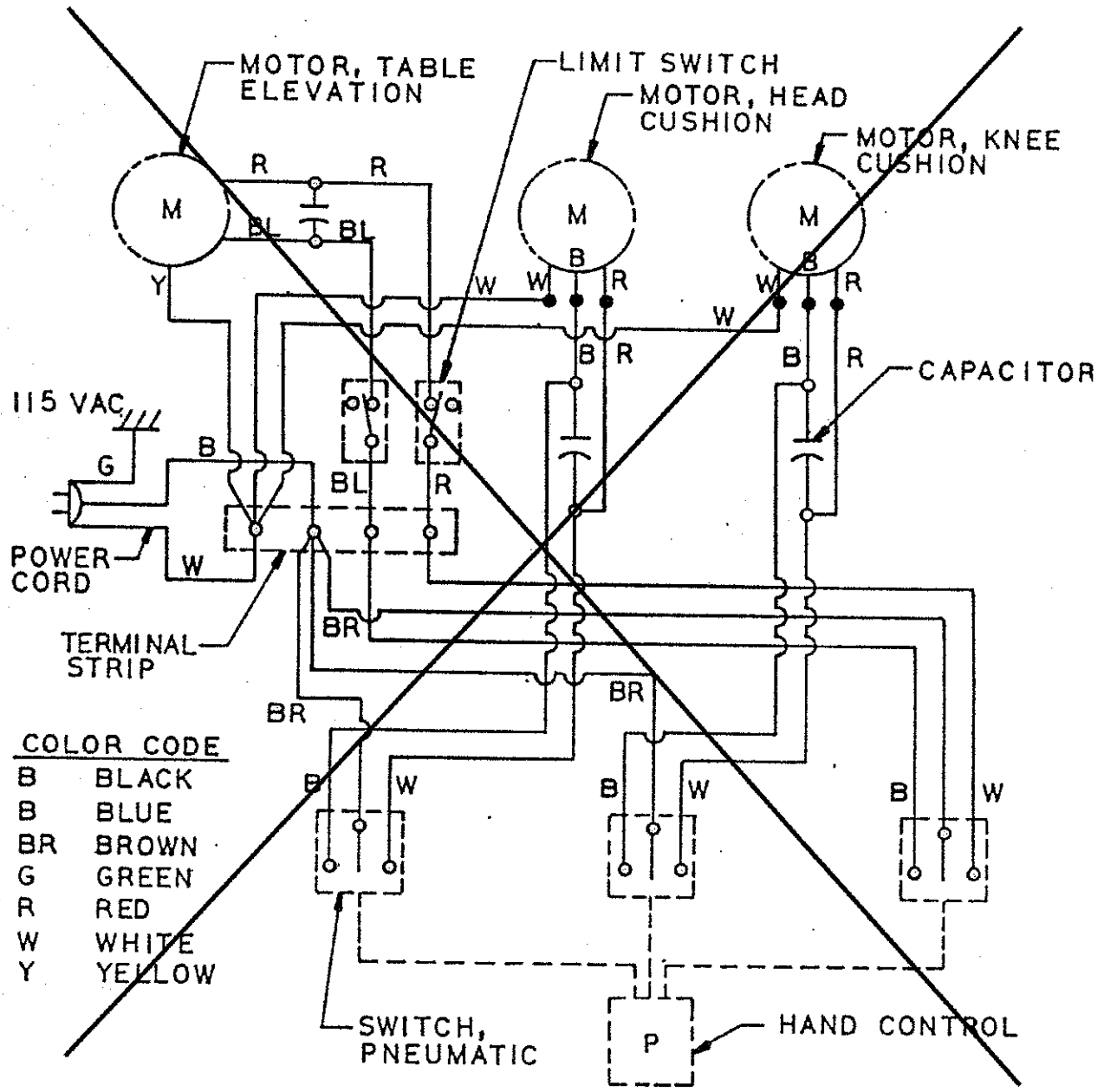
Most problems are simple and easily corrected. Study the problem thoroughly and ask yourself these questions:

- What were the warning signs preceding the trouble?
- What previous repair and maintenance work has been done?
- Has similar trouble occurred before?

SYMPTOM	POSSIBLE CAUSE	CORRECTIVE ACTION
No table movement in any mode.	No Power.	1. Check power cord for proper connection to receptacle. 2. Check with building maintenance to assure circuit breaker has not tripped.
	Pneumatic Hand Switch air hose disconnected at motor compartment	Connect air hose into rubber connector grommet.
	Break in one or more pneumatic hand switch air hose tubes.	Replace hand switch.
No table elevation	Failed limit switch.	Contact TRI W-G's Service Department.
Noise occurring in table leg during elevation.	Table leg is dry of lubricant.	Apply petroleum jelly or lanolin to upper area of telescopic legs. Cycle table up and down.

**CAUTION – DO NOT ATTEMPT TO SERVICE ANY ELECTRICAL COMPONENTS.
LET ONLY A QUALIFIED SERVICE TECHNICIAN DO ANY ELECTRICAL
REPAIR WORK.**

Wiring Diagram



Please note--The illustration of the Wiring Diagram on page 13 does not reflect the current motor, power supply, and fuse holder in use. Please contact manufacturer at 1-800-437-8011 for an updated Wiring Diagram for this piece of equipment.

SERVICE PARTS

Service part orders can be made by:

Mail:

TRI W-G, INC.
215 12TH AVENUE
PO BOX 905
VALLEY CITY ND 58072

TELEPHONE:

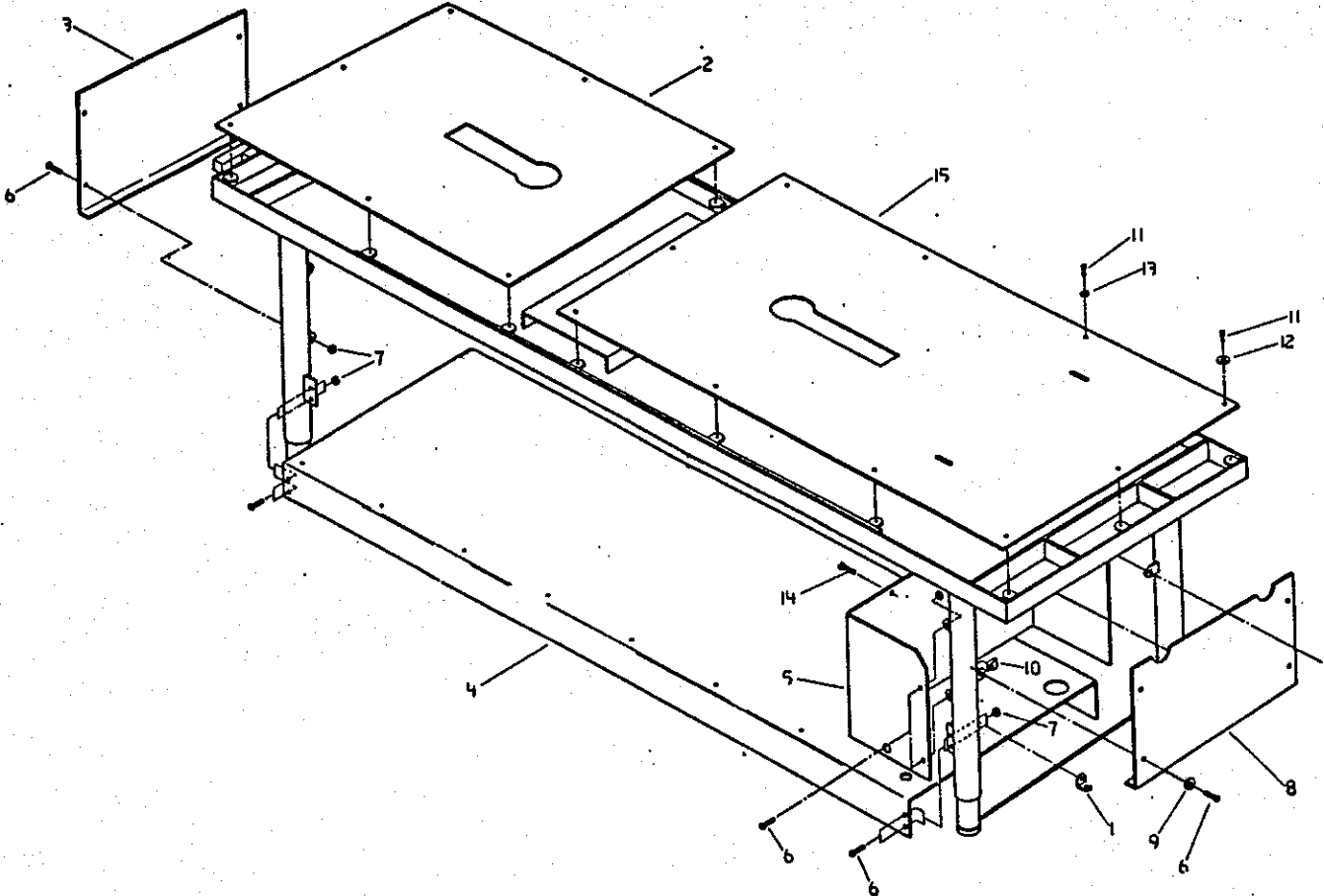
In all states except North Dakota:

1-800-437-8011

In North Dakota:

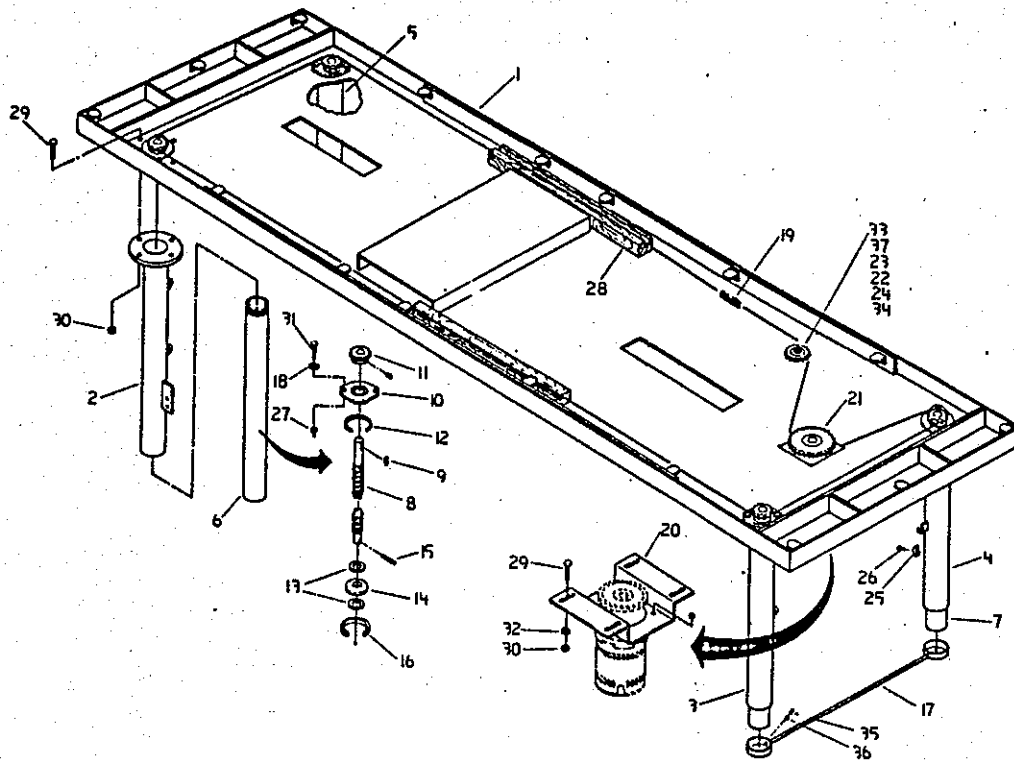
1-701-845-3984

SERVICE PARTS



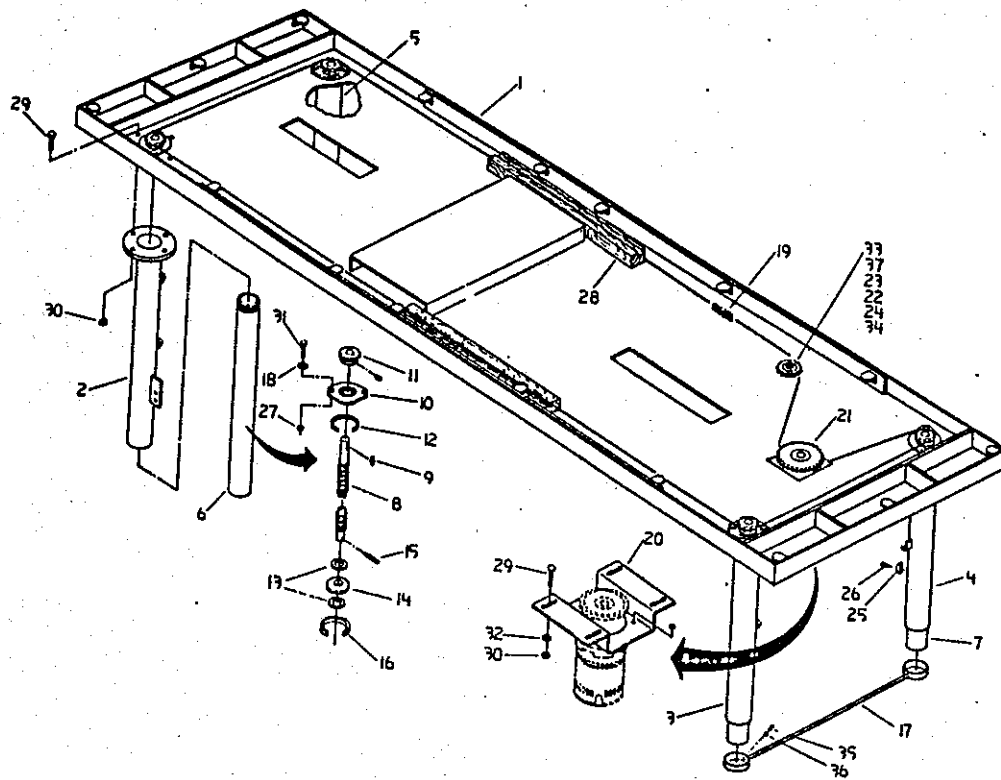
FRAME & ATTACHING PARTS

<u>ITEM</u>	<u>PART NUMBER</u>	<u>DESCRIPTION</u>	<u>QTY.</u>
1	181-034-000	Tab, Bent	1
2	188-034-000	Plate	1
3	188-027-001	Plate, Bent	1
4	181-024-001	Plate, Bent	1
5	181-025-001	Plate, Bent	1
6	905-010-012	1/4-20 x .50 Machine Screw	24
7	905-043-001	1/4-20 NC Keps Nut	21
8	187-029-001	Cover Plate	1
9	907-001-002	Nylon Washer	4
10	905-047-001	1/4-20 NC Clip Nut	5
11	905-015-003	#8 x .50 Tapping Screw	18
12	188-018-001	Nylon washer	8
13	907-001-001	Nylon Washer	10
14	905-010-015	1/4-20 x .75 Machine Screw	2
15	188-035-000	Plate	1



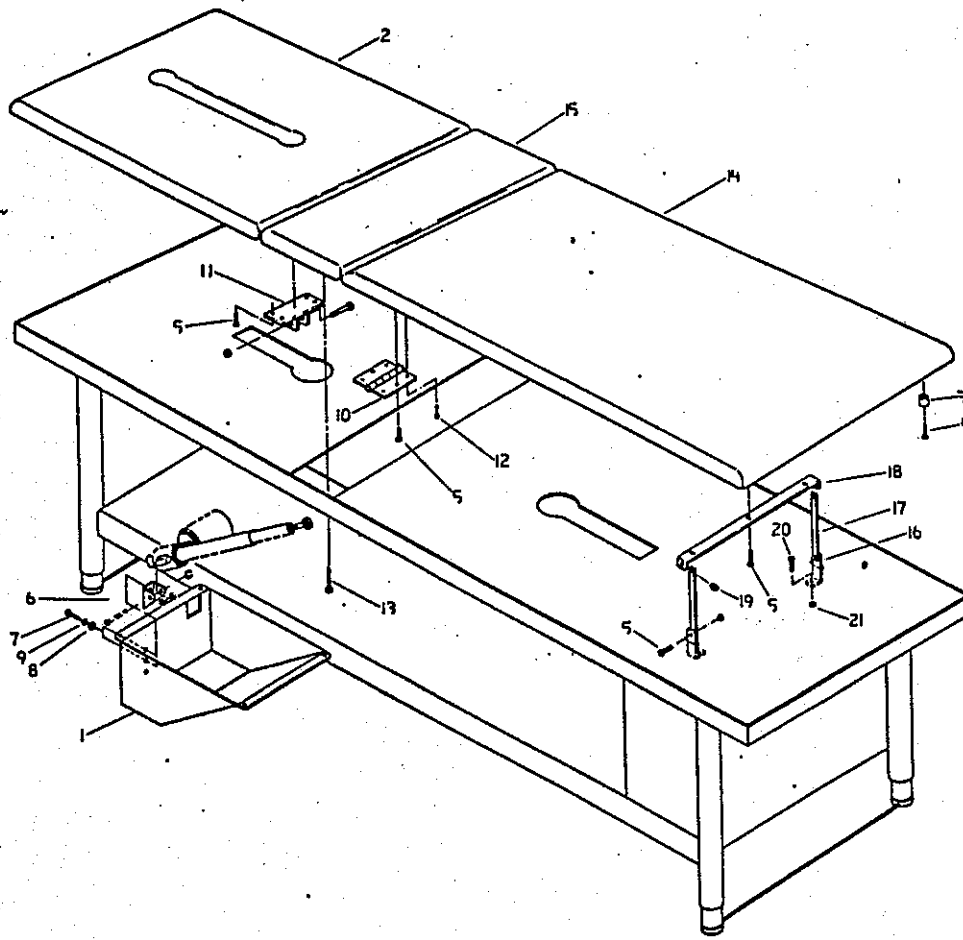
ELEVATION DRIVE ASSEMBLY

<u>ITEM</u>	<u>PART NUMBER</u>	<u>DESCRIPTION</u>	<u>QTY.</u>
1	188-033-000	W/A, Platform	1
2	181-022-000	W/A, Stanchion	1
3	181-020-000	W/A, Stanchion	1
4	181-019-000	W/A, Stanchion	1
5	181-021-000	W/A, Stanchion	1
6	181-011-000	W/A, Telescopic Leg	3
7	181-010-000	W/A, Telescopic Leg	1
8	181-014-001	Acme Screw	4
9	905-029-003	Woodruff Key #9	5
10	904-001-033	Flange Bearing	4
11	901-001-014	14T Sprocket	4
12	181-027-001	Bearing, Seal	4
13	905-036-004	Washer	8
14	907-005-060	Nylon Bearing	4
15	905-028-008	3/16 x 1.25 Roll Pin	4
16	181-028-001	Bearing, Seal	4
17	181-012-000	W/A, Cap Bracket	2
18	905-036-002	1/4" Washer	



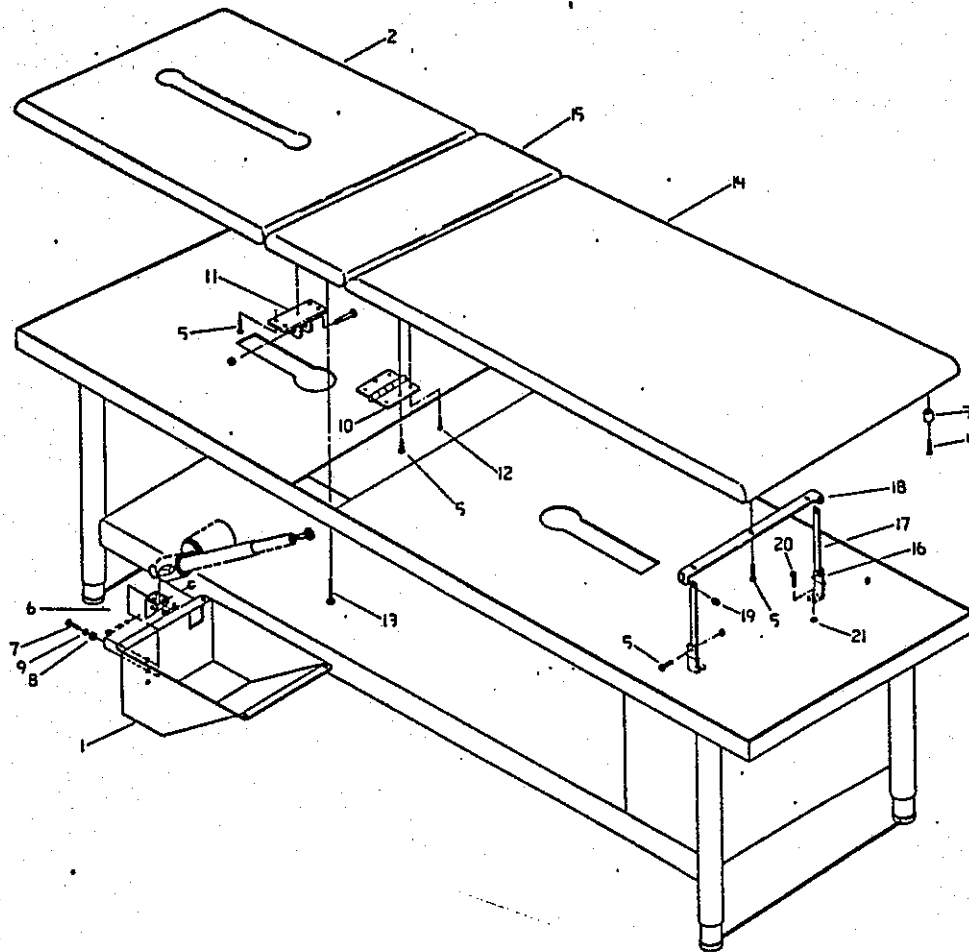
ELEVATION DRIVE ASSEMBLY

<u>ITEM</u>	<u>PART NUMBER</u>	<u>DESCRIPTION</u>	<u>QTY.</u>
19	901-004-001	#35 Chain	1
20	181-035-000	Mount Plate	1
21	181-030-000	W/A, 32T Sprocket	1
22	901-001-002	18T Idler Sprocket	1
23	907-002-002	Bushing	1
24	189-014-000	Bearing Spacer	1
25	182-021-001	Stop Block	1
26	905-004-001	10-24 x .38 Socket Hd. Sc.	1
27	905-043-001	1/4-20 NC Keps Nut	8
28	111-058-001	16" Rect. Wood	2
29	905-001-015	5/16-18 x .75 Hex Bolt	24
30	905-043-002	5/16-18 NC Keps Nut	24
31	905-001-003	1/4-20 x 1.00 Hex Bolt	8
32	905-036-005	5/16" Washer	2
33	905-001-030	3/8-16 x 1.75 Hex Bolt	1
34	905-044-004	3/8-16 NC Lock Nut	1
35	905-010-007	10-24 x .50 Machine Screw	4
36	905-037-001	#10 Internal Lock Washer	4
37	905-036-006	3/8" Washer	2



HEAD/BACKREST & KNEE ASSEMBLIES

<u>ITEM</u>	<u>PART NUMBER</u>	<u>DESCRIPTION</u>	<u>QTY.</u>
1	188-036-000	W/A, Mount Cover	2
2	908-009-000A	*Assembly, Cushion Head	1
3	903-002-009	Rubber Stop	8
4	905-069-002	#10 x 1.00 Tapping Screw	8
5	905-001-003	1/4-20 x 1.00 Hex Bolt	27
6	188-037-001	Plate, Bent	2
7	905-001-014	5/16-18 x .50 Hex Bolt	4
8	905-036-005	5/16" Washer	4
9	905-037-004	5/16" Lock Washer	4
10	188-044-000	W/A, Hinge	6
11	188-041-000	W/A, Bracket	2
12	905-015-008	#8 x .75 Tapping Screw	24

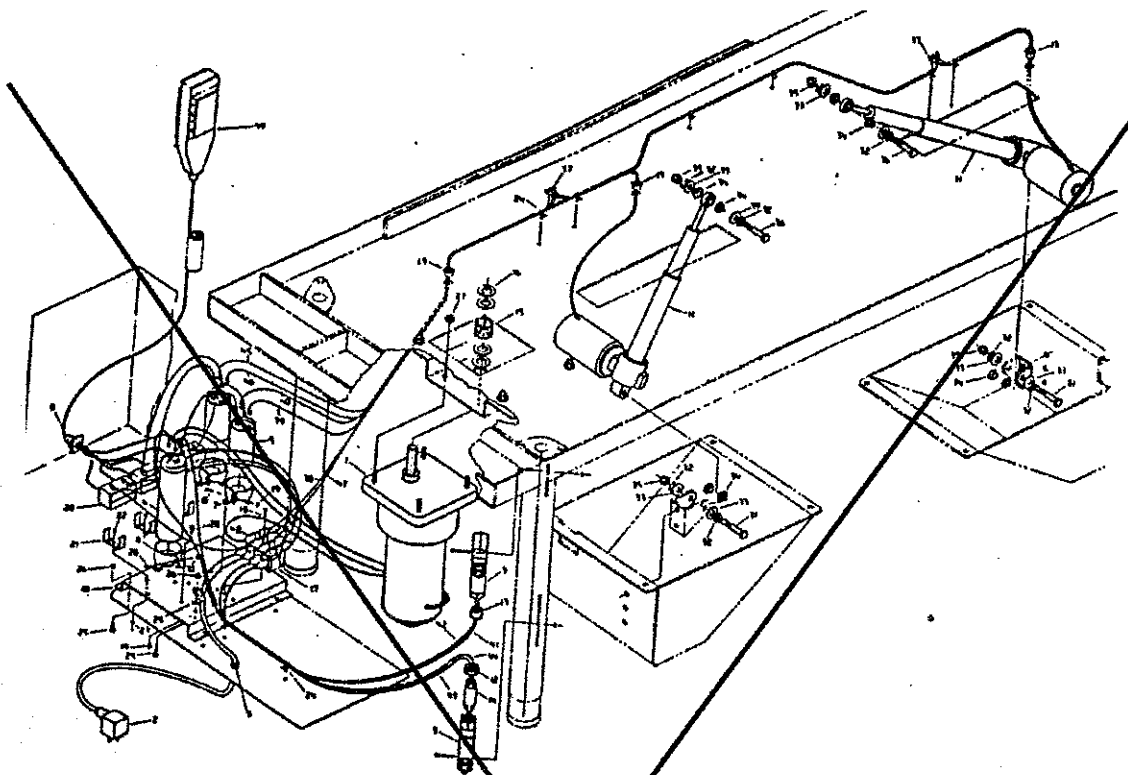


HEAD/BACKREST & KNEE ASSEMBLIES

<u>ITEM</u>	<u>PART NUMBER</u>	<u>DESCRIPTION</u>	<u>QTY.</u>
13	905-001-010	1/4-20 x 3.00 Hex Bolt	4
14	908-009-000A	*Assembly, Cushion	1
15	908-009-000A	*Assembly, Cushion	1
16	188-040-001	Bar, Bent	2
17	188-039-001	Bar, Rect.	2
18	188-038-001	Bar, Bent	1
19	907-001-002	Nylon Washer	4
20	905-001-015	5/16-18 x .75 Hex Bolt	2
21	905-043-002	5/16-18 NC Keps Nut	2

* STANDARD VINYL COLORS

908-009-002	Fawn
908-009-003	Buckskin
908-009-004	Walnut
908-009-001	Indian Red
908-009-008	Rose
908-009-006	Crimson
908-009-009	Turquoise
908-009-005	Blue
908-009-007	Ninja

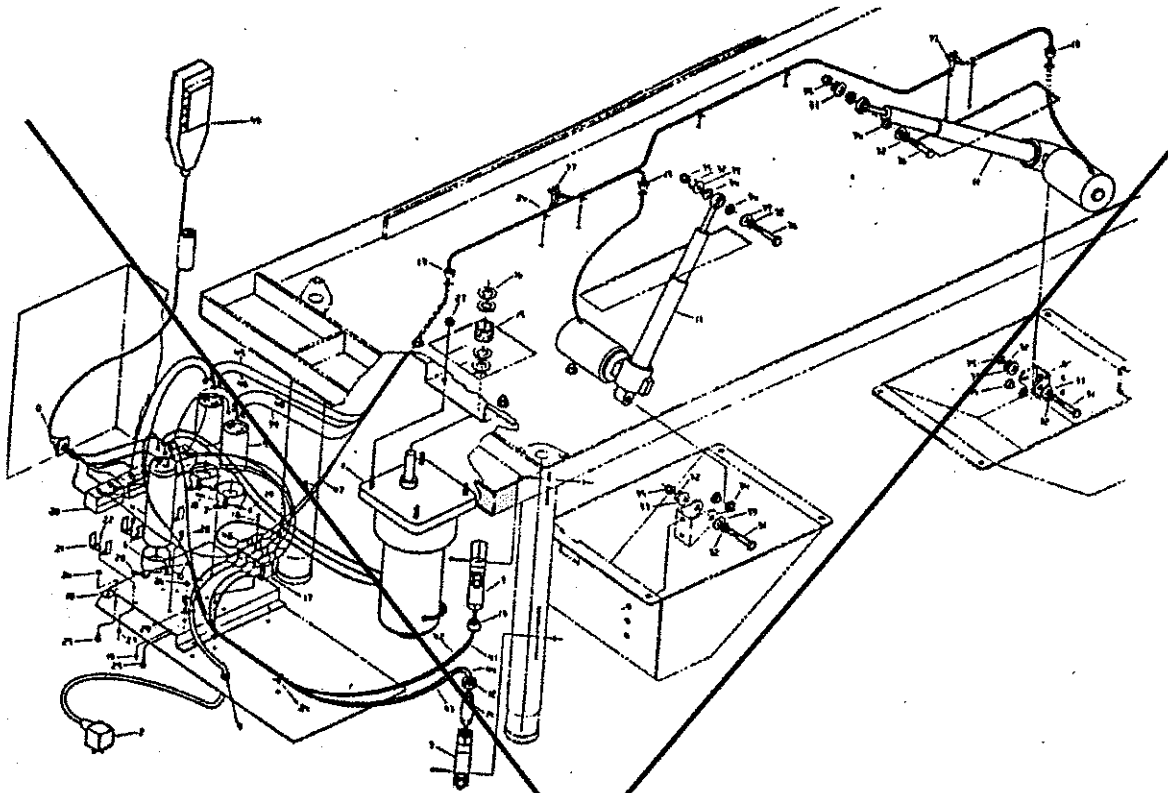


813 ELECTRICAL GROUP

<u>ITEM</u>	<u>PART NUMBER</u>	<u>DESCRIPTION</u>	<u>QTY.</u>
1	900-010-006	Drive Motor	1
2	900-001-051	Power Cord	1
3	900-005-006	Switch	2
4	900-009-010	Capacitor	1
5	900-009-023	Capacitor	2
6	900-026-001	Capacitor Mount	1
7	917-000-104	Capacitor Mount	2
8	900-025-009	Grommet, Coupling	1
9	900-012-003	Grommet, Cord	1
10	181-060-001	Plate, Bent	1
11	900-010-028	Actuator Linear	2
12	900-013-016	Bushing	1
13	900-012-010	Bushing	4
14	900-013-001	Pipe Nipple	1
15	906-001-014	Compression Spring	1
16	907-005-048	Nylon Washer	4
17	900-002-030	Terminal Strip	1
18	905-010-002	6-32 x .50 Pan Hd. Screw	3
19	900-041-002	6-32 Hex Nut	3
20	900-005-039	Pneumatic Switch	3
21	917-000-105	Bracket	3
22	907-016-006	4-40 x .50 Pan Hd. Screw	3
23	905-041-001	4-40 Hex Nut	3
24	907-005-066	Cable Tie	8
25	905-010-007	10-24 x .50 Pan Hd. Screw	9



Please note--The Illustration of the Electrical Parts and parts lists on pages 20 and 21 do not reflect the current motor, power supply, and fuse holder in use. Please contact the manufacturer at 1-800-437-8011 for an updated Illustration of the Electrical Service Parts list on this piece of equipment.

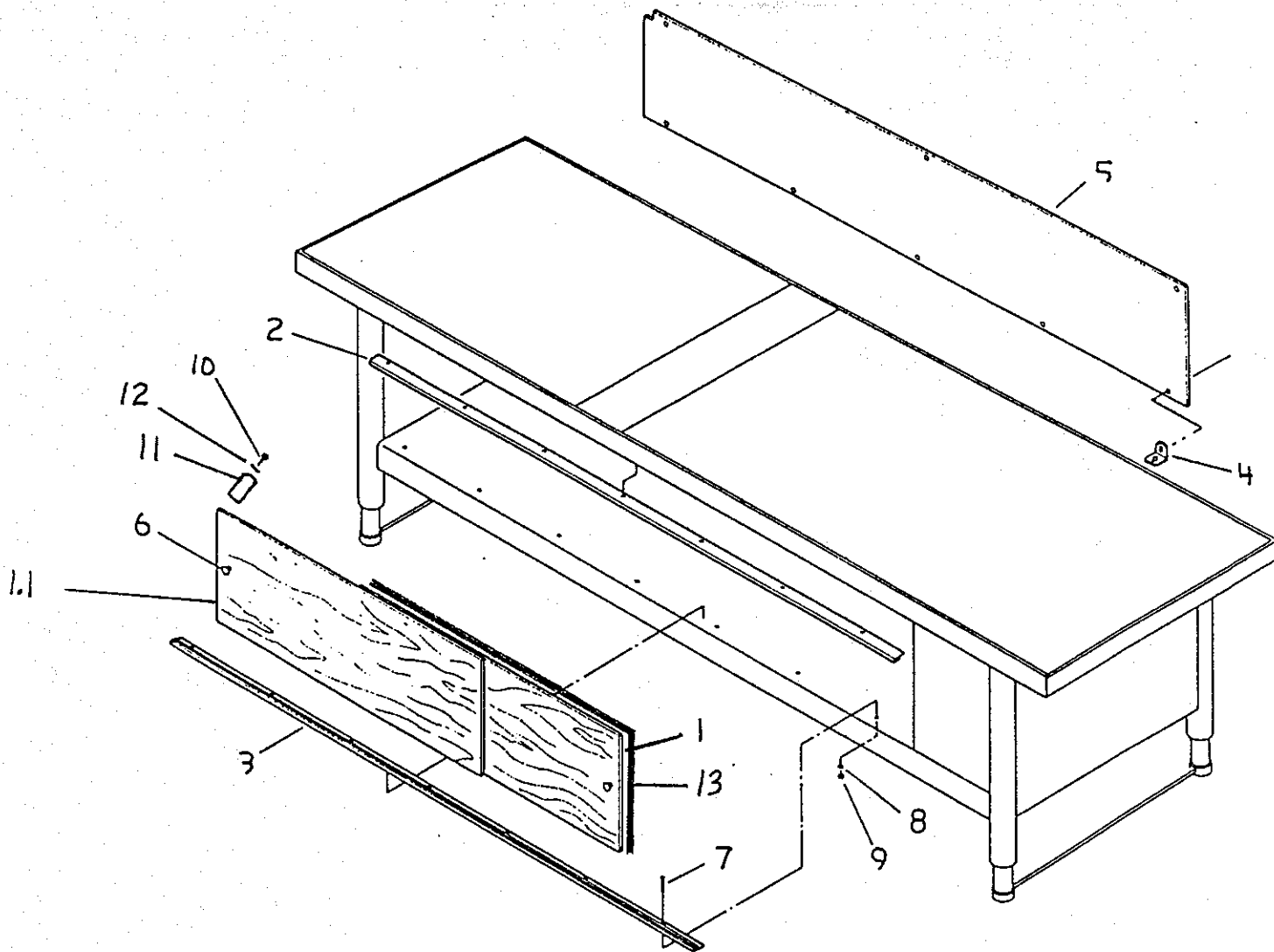


813 ELECTRICAL GROUP

<u>ITEM</u>	<u>PART NUMBER</u>	<u>DESCRIPTION</u>	<u>QTY.</u>
26	905-041-003	10-24 Hex Nut	9
27	905-043-001	1/4-20 Keps Nut	4
28	905-016-019	8-32 x .50 Pan Hd. Screw	4
29	900-010-001	Clip	1
30	905-041-003	10-24 Hex Nut	4
31	905-001-033	3/8-16 x 2.50 Hex Bolt	2
32	905-033-001	3/8" Shim Washer	8
33	157-032-000	Nylon Washer	8
34	169-020-001	Flanged Bushing	8
35	905-044-004	3/8-16 Lock Nut	4
36	905-001-031	3/8-16 x 2.00 Hex Bolt	2
37	900-003-001	Wire Connector	6
38	900-001-012	16 GA Wire (white)	1
39	900-001-011	16 GA Wire (red)	1
40	900-001-006	16 GA Wire (black)	1
41	900-001-009	16 GA Wire (blue)	1
42	900-001-009	16 GA Wire (blue)	1
43	900-001-011	16 GA Wire (red)	1
44	900-001-011	16 GA Wire (red)	1
45	900-001-006	16 GA Wire (black)	1
46	900-001-011	16 GA Wire (red)	1
47	900-001-012	16 GA Wire (white)	1
48	900-002-001	1/4" Terminal	4
49	900-025-003	Pneumatic Control	1



Please note--We will forward a new manual once all of the illustrations and figures have been updated to reflect the current motor, power supply, and fuse holder in use. Please contact the manufacturer at 1-800-437-8011 if you have any questions.



813 DOOR GROUP (OPTION)

<u>ITEM</u>	<u>PART NUMBER</u>	<u>DESCRIPTION</u>	<u>QTY.</u>
1.1	815-052-000	Left sliding door (wood)	1
1	815-055-000	Rt. sliding door (wood)	1
1.1	815-054-000	Left sliding door (metal)	1
1	815-056-000	Rt. sliding door (metal)	1
2	815-053-001	Guide Channel (upper)	1
3	815-053-002	Guide Channel (lower)	1
4	181-034-000	Tab	8
5	815-051-000	Back Panel	1
6	917-000-039	Knob	2
7	906-016-007	6-32 x .50 Machine Screw	14
8	905-037-009	#6 Lock Washer	14
9	905-041-002	6-32 Hex Nut	14
10	905-010-005	8-32 x .50 Machine Screw	2
11	903-002-009	Rubber Stop	2
12	905-037-001	#10 Internal Lock Washer	2
13	907-005-063	Channel Molding	2

