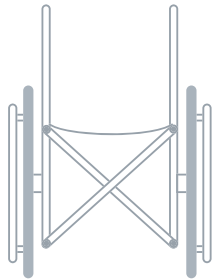


IncrediBack® & IncrediHugger

WARNING: This product requires the use of the anti-tip bars on the wheelchair.

1



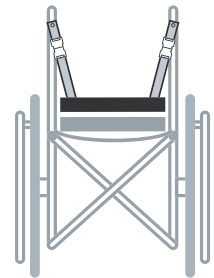
Remove existing back from wheelchair.

2



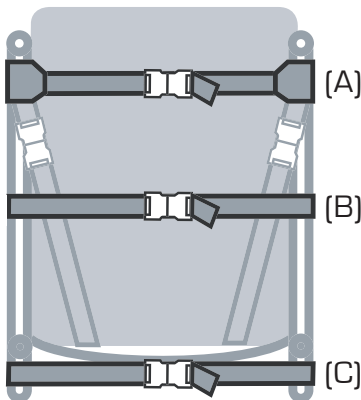
Mold flexible bars in back to fit the contour of the patient's back.

3



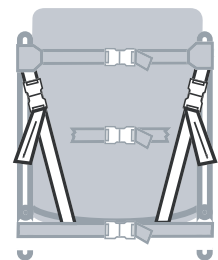
Lay back flat on seat with buckles facing up and top rounded corners toward front of wheelchair. Attach angled straps (with grommets) to upper holes in wheelchair tubing using screws from sling back.

4



Stand the back up and loop top strap (A) around the wheelchair tubing. Connect buckle. Loop middle strap (B) around wheelchair tubing. Connect Buckle. Loop bottom strap (C) around wheelchair tubing. Connect buckle. Pull tight.

5



Pull vertical strap to adjust back to desired height.