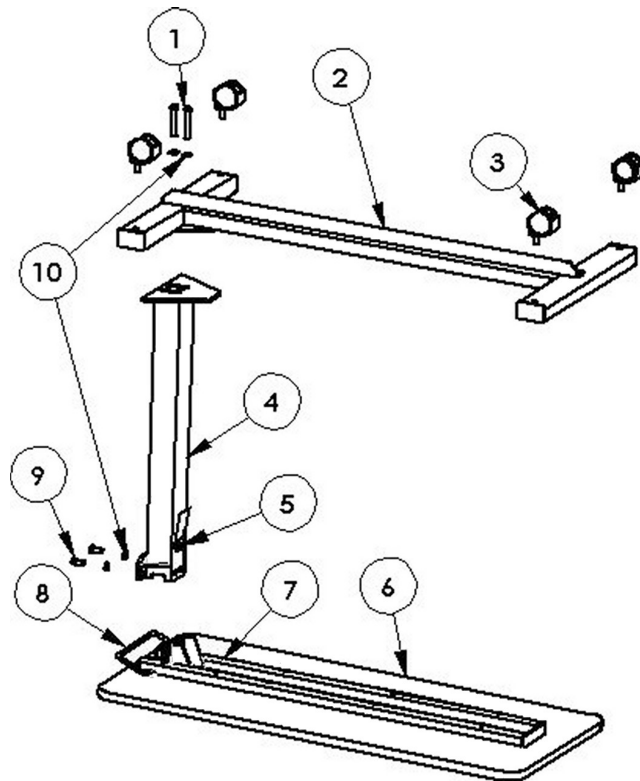


4700 BARIATRIC OVER BED TABLE ASSEMBLY AND OPERATING INSTRUCTIONS

▶ CAUTION--SPRING LOADED ASSEMBLY ◀

Do not remove the black shipping screw before completing assembly steps 1- 5. Removing the shipping screw before this can result in personal injury and spring damage.



PARTS LIST

- | | |
|------------------------------------------|----------------------------------------|
| 1- 3/8-16 x 2 1/2" BOLTS, GRADE 8 (BT20) | 6- TOP ASSEMBLY (18 X 40) |
| 2- BASE ASSEMBLY (470005) | 7- TOP SUPPORT BRACKET (470015) |
| 3- TWIN HOODED CASTER (CA06) | 8- TRIP HANDLE (460012) |
| 4- COLUMN ASSEMBLY (470026) | 9- 3/8-16 x 3/4" BOLTS, GRADE 8 (BT21) |
| 5- BLACK SHIPPING SCREW | 10- 3/8" LOCK WASHER (W18) |

TOOLS REQUIRED

- PHILLIPS SCREWDRIVER
9/16" WRENCH

ASSEMBLY INSTRUCTIONS

- 1 Lay Top (#6) on table or floor with Top Support Bracket (#7) as shown
- 2 **ELEVATE TRIP HANDLE (#8) TO APPROXIMATELY A 45° ANGLE.** Insert Column (#4) into Top Support (#7), making sure the rectangular notches are aligned with the Top Bracket (#7) embossing (See Fig. 2). Make sure that the Trip Handle (#8) tab is in the Trip channel in the Column (#4) (See Fig. 3). Fasten using 3/4" long bolts (#9) and lock washers (#10).
- 3 Lay the Base (#2) on a table or floor and install Casters (#3).
- 4 Install Base (#2) to the Column (#4) with Casters pointing up. Tighten the hex-head bolts (#1) through the lock washers (#10) and base (#2).
- 5 Set the table upright on its casters.
- 6 Remove the black shipping screw (#5) from front of Column (#4) and discard. Assembly is complete.

OPERATING INSTRUCTIONS

- A To elevate the table, push upward at any position on the underside of the Top (#6), until the top has reached the desired height.
- B To lower the table, squeeze the Trip Handle (#8) to release the column, and push down on the top (#6) until the desired height is reached.

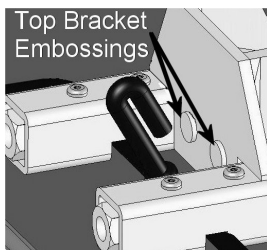


Fig. 2

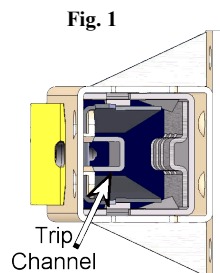


Fig. 1

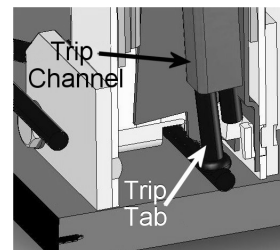


Fig. 3