

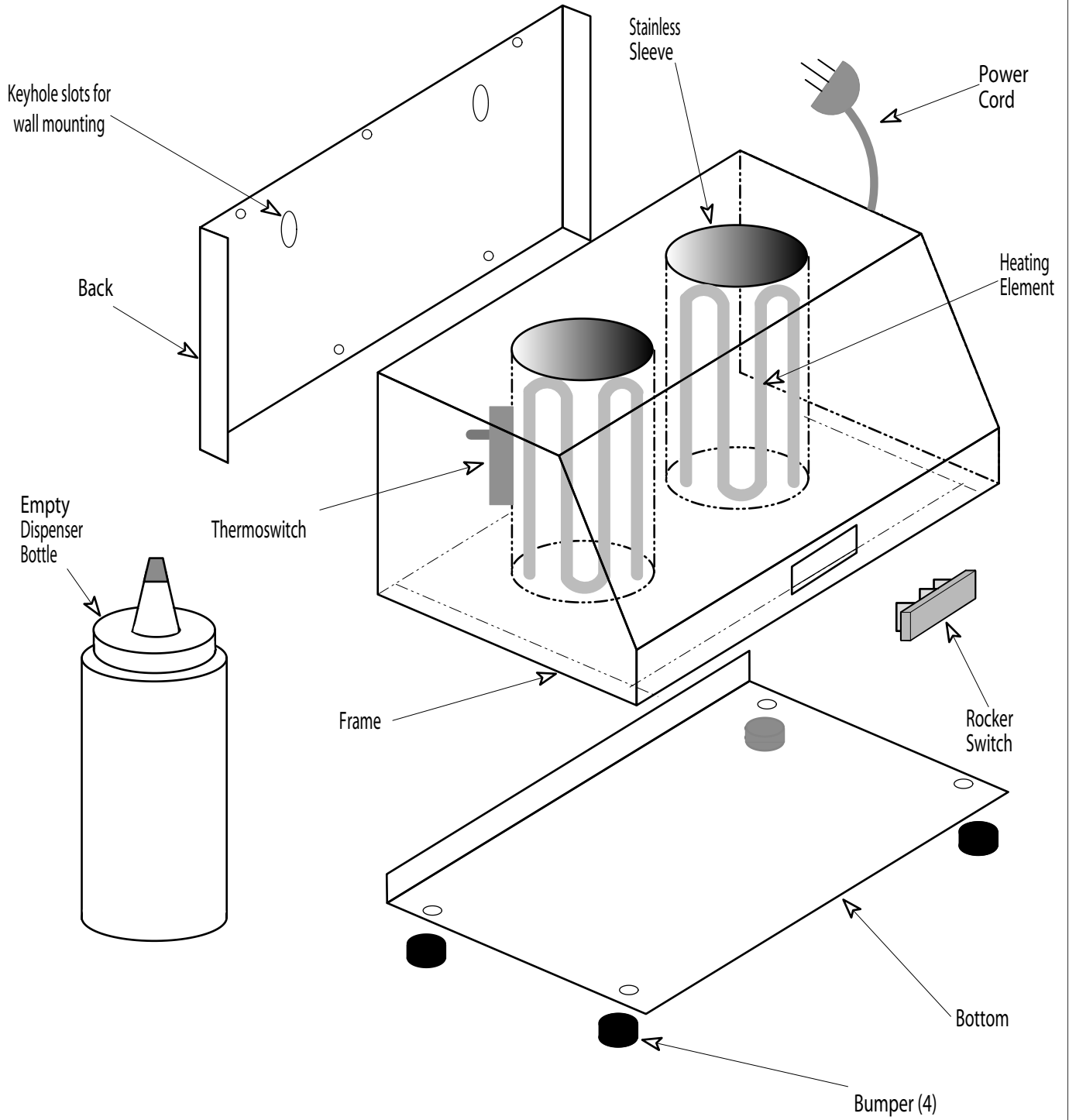


Bottle Warmer

Operating Instructions
and
Warranty Information

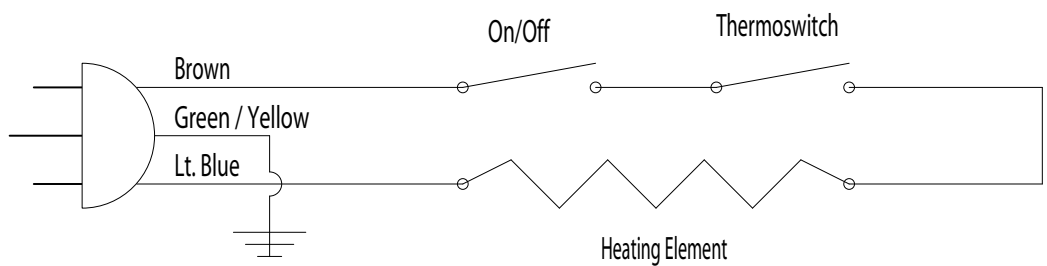
Ideal Products
1287 County Road 623
Broseley, MO 63932
(573) 686-0003 (Fax) 686-6080
idealproducts.com

Assembly View



Electrical Schematic

Amperage Ratings @ 120 VAC 60 Hz.	
GW108/GW116	1.1
GW208/GW216	2.1
GW308/GW316	2.1
GW408/GW416	2.1



Thank you for choosing an Ideal Bottle Warmer!

To Mount: You can set the Bottle Warmer on a table or mount it to a wall using the keyhole slots in the back cover. Wall mounting hardware is not included. Use appropriate hardware for your type of wall material. Plug the power cord into a 120 volt AC grounded outlet (GFCI preferred). Amperage draw is detailed in the electrical schematic.

To Operate: Flip the switch on the lower front panel to begin heating. All of the electrical components are rated for continuous duty. However, we recommend you turn off the Warmer overnight and on weekends because some gels and lotions tend to break down and separate when exposed to heat for extended periods. Place your gel, lotion or oil in a dispenser bottle and place the filled bottle back into the sleeve. On first turning on or filling your bottles, it may take up to 45 minutes before the inside bottle temperature becomes warm to the touch. The heavy duty thermostwitch is adjustable from 90° F to 120°F. Turn the knob on the side of the Warmer to suit your individual needs.

Note: The attachment plug of the supply cord is the only device that disconnects from both supply circuit connectors and is designated as the main disconnect device.

To Clean: **UNPLUG THE BOTTLE WARMER BEFORE CLEANING!**

Avoid getting any liquids into the empty receptacles. The Warmer is powder-coated white for easy cleaning with a damp cloth.

Electromagnetic Interference:

This equipment generates, uses and can radiate radio frequency energy and, if not installed and used in accordance with the instructions, may cause harmful interference to other devices in the vicinity. However, there is no guarantee that interference will not occur in a particular installation.

If this equipment does cause harmful interference to other devices, which can be determined by turning the equipment off and on, the user is encouraged to try to correct the interference by one or more of the following measures:

- Reorient or relocate the receiving device.
- Increase the separation between the equipment.
- Connect the equipment into an outlet on a circuit different from that to which the other devices are connected.
- Consult the manufacturer or field service technician for help.

HOW'D WE DO?

Did your Bottle Warmer arrive intact? Yes No

Was delivery quick enough? Yes No

Is it worth the price you paid? Yes No

How can we improve?:

Limited 1 Year Warranty

What is Covered?

This warranty covers all defects in workmanship or materials in your Bottle Warmer as well as standard freight charges back to you.

What is Not Covered?

This warranty does not cover Warmers which have been damaged due to acts of God, misuse, abuse or accidents such as incorrect line voltages, failure to follow operating instructions that are provided by Ideal Products, or unauthorized repair. This warranty does not cover transportation charges to us to get service, loss of time, loss of use or other incidental charges.

What Must I do to get the 2 Year Warranty?

Detach and complete the Extended 2 Year Warranty Registration form below and return it to us within 30 days of purchase.

How Long is my Coverage Period?

When you register your Warmer, the Warranty Coverage is 2 years from the date of purchase. If you DO NOT register the device, your Warranty Coverage period is 1 year from the date of purchase.

How do I get Service?

Deliver the Bottle Warmer to Ideal Products, 1287 County Rd. 623, Broseley, MO. 63932

How does State Law relate to the Warranty?

This warranty gives you specific legal rights and you may have other rights which vary from state to state.

02/03

Extended 2 Year Warranty Registration

Bottle Warmer Serial Number: _____

Model:

___ GW108

___ GW208

___ GW308

___ GW408

___ GW116

___ GW216

___ GW316

___ GW416

Your Name: _____

Facility: _____

Address: _____

City St Zip: _____

Phone: _____ Date of Purchase: _____

Distributor's Name: _____

Return to: Bottle Warmer, 1287 County Rd 623, Broseley, MO. 63932