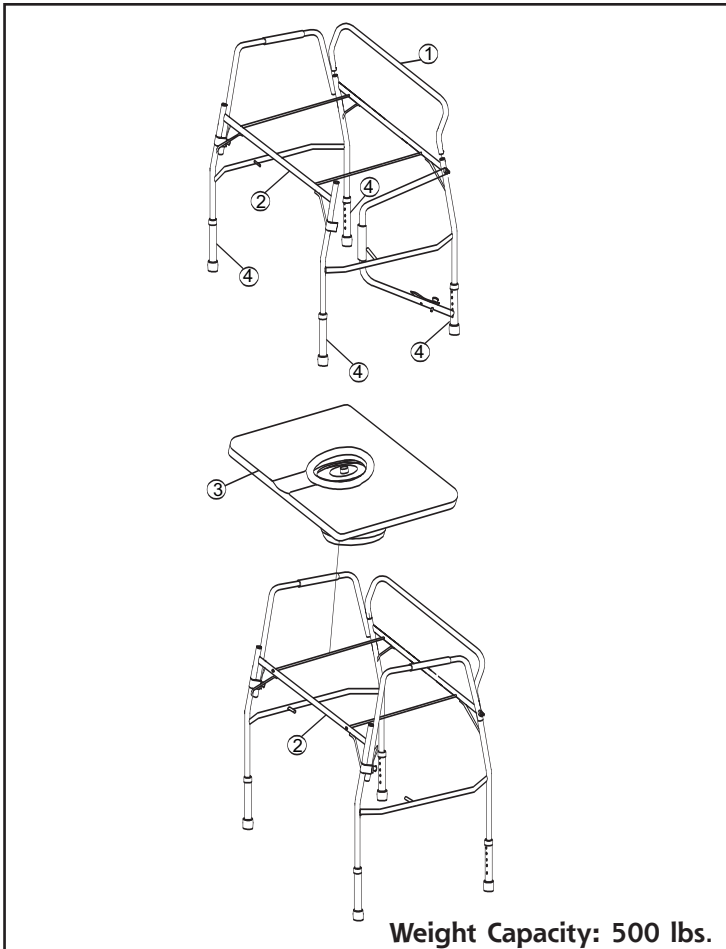


Heavy Duty **DROP ARM** WELDED STEEL COMMODE



Assembly Instructions

- ▶ 1. Insert the backrest tube (1) into the seat brace assembly (2), and lock pins into place.
- ▶ 2. Insert the extension legs (4) into the completed frame assembly. Evenly adjust the legs in 1" increments to the desired height, and lock the pins into place.
- ▶ 3. Firmly push down on seat until it locks into place on the completed frame assembly.

CAUTION: For your safety, the four extension legs must always be locked into the same height position. All pins must be pushed completely through the pinholes before using.

NOTE: If any parts are missing, do not return to the place of purchase. Contact us at 877-505-6190.

Distributed by:

Duro-Med Industries
Div. of DMS Holdings Inc.
1931 Norman Drive
Waukegan, IL 60085 USA
www.duromed.com

Made in China

Toll-Free Customer
Care Help Line
877-505-6190

Monday - Friday, 8:00 am - 4:30 pm CST

#910-1203-1999 06/06

©2006 Duro-Med Industries

Assembly Code

- ▶ 1 - Backrest Tube
- ▶ 2 - Seat Brace Assembly
- ▶ 3 - Plastic Seat Assembly
- ▶ 4 - Extension Legs

CAUTION

This product contains natural rubber latex which may cause allergic reactions.

Safety

Security

Durability