



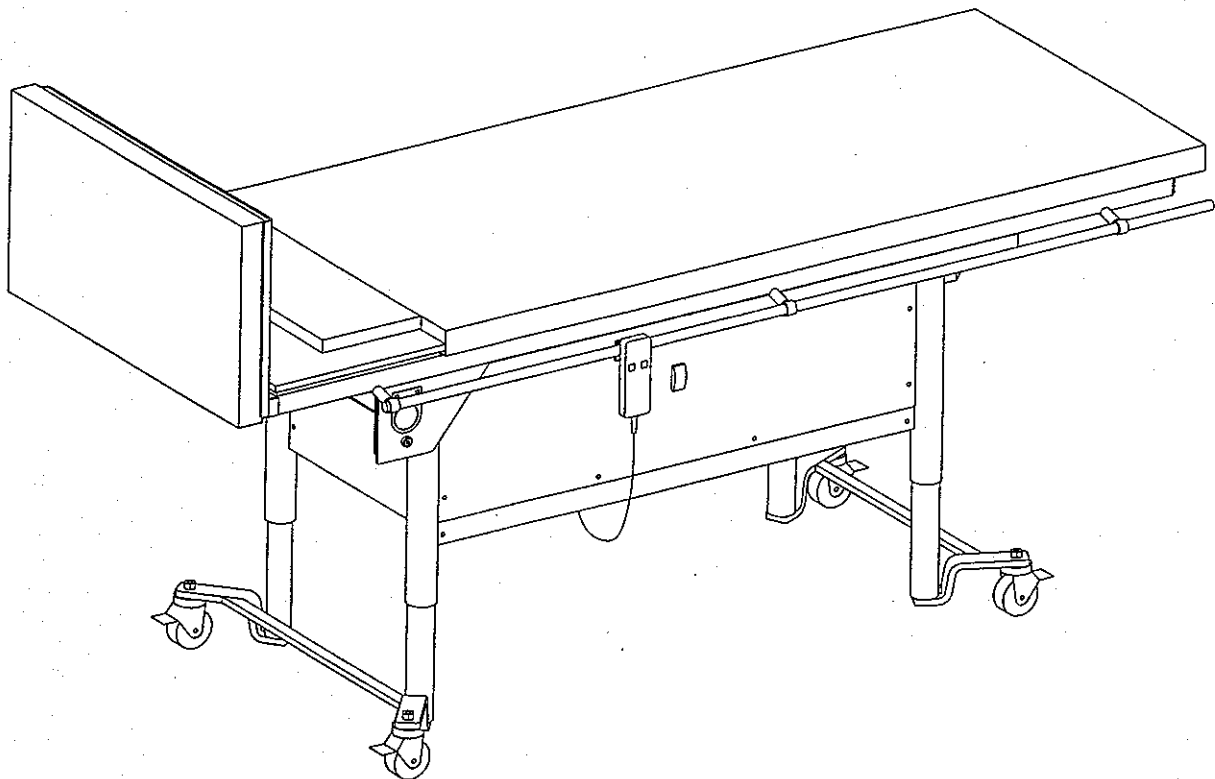
TRI W-G[®]
I N C O R P O R A T E D

PO Box 905
Valley City, ND 58072
(701) 845-3984

1-800-437-8011
FAX: (701) 845-2023

OPERATION AND MAINTENANCE MANUAL

MODEL 620/630



Read this Manual prior to operation
Limited Warranty Registration Card Enclosed

NOTICE:

Design changes may have occurred in the product since this manual was published. The technical information found within this manual was correct at the time this manual was approved for publication.

TRI W-G, INC. reserves the right to make changes without prior notification, in design specifications or other improvements on our products without incurring obligations to add them to any device in existence.

TRI W-G, INC. does not assume any risk or liability for attachments, or their effects on this device, if the attachments are not manufactured, sold by and expressly approved by TRI W-G, INC.

When replacement parts are required, use only those replacement parts authorized by TRI W-G, INC.

If any information contained in this publication is not understood, the user should contact TRI W-G, INC. for assistance.

To the Owner/Operator
DO NOT use or operate this device until this manual has been read and understood.

Foreword

This manual has been compiled to assist the owner and/or operator with the correct operation, service and routine preventive maintenance procedures of the Model 620/630 Hi-Lo Tilt table.

In order to get the optimum performance and efficiency that has been designed into the device, read this manual thoroughly before operating or servicing the device. Become familiar with all decals and safety messages within the manual and on the device. Keep this manual in a convenient place for easy reference when problems arise. DO NOT attempt to make repairs or adjustments you do not understand. If you require additional information or service, contact TRI W-G or your TRI W-G representative.

The signal words, **CAUTION**, **WARNING** or **DANGER** are used to indicate degree of hazards and to warn against unsafe practices that may cause personal injury and are used with appropriate safety instructions. These signal words are not to be ignored, you and/or your patients safety is involved.



CAUTION: Denotes a general reminder of good safety practices or directs attention to unsafe practices.



WARNING: Denotes a hazard intermediate between **DANGER** and **CAUTION**.



DANGER: Denotes the most serious hazard.

TABLE OF CONTENTS
MODEL 620/630 HI-LO TILT TABLE

| | |
|--|--------|
| NOTICE | i |
| FOREWORD | ii |
| TABLE OF CONTENTS | 1 |
| WARRANTY | 2 |
| USER RESPONSIBILITY/TRACEABILITY | Insert |
| INTRODUCTION | 3 |
| GENERAL DESCRIPTION | 3 |
| ESSENTIAL SAFETY PRECAUTIONS | 4-5 |
| TABLE SET-UP | 5 |
| OPERATION OF TABLE | 5-6 |
| SPECIFICATIONS | 7 |
| ELECTRICAL WIRING DIAGRAM | 8 |
| MODEL 620 PARTS LIST | 9-11 |
| MODEL 630 PARTS LIST | 12-14 |
| SERVICE MAINTENANCE PROGRAM | 15 |
| SERVICE MAINTENANCE LOG | 16 |

INTRODUCTION

This manual has been developed to describe the operation and proper maintenance procedures for the Models 620 and 630 Hi-Lo Tilt Tables. Please read this manual thoroughly before operating table and follow all recommended precautionary measures.

GENERAL DESCRIPTION

The Models 620 and 630 Series Hi-Lo Tilt Tables offer features to enhance a patient's response to treatment while increasing the technician's efficiency. An oversized foot platform and convenient tilt and vertical controls combine with quality workmanship and sturdy design to make the 620 and 630 the industry standards.

Major features of Model 620

2" foam cushion
0-86° tilt range
25-3/8" to 35-1/8" vertical range
Casters: 3" swivel w/locking brakes
350 lb. patient load
Footboard folds down converting to treatment table
Hand control (Tilt) and rocker switch (Hi-Lo)
Angle indicator
Standard: 24 Volt tilt actuator w/o battery
Optional: 24 Volt tilt actuator w/battery

Major features of Model 630

2" foam cushion
0-86° tilt range
25-3/8" to 35-1/8" vertical range
Casters: 8" casters (2 – stationary, 1 – swivel w/track lock, 1 – swivel w/locking brake)
350 lb. patient load
Footboard folds down converting to treatment table
Hand control (Tilt) and rocker switch (Hi-Lo)
Angle indicator
Standard: 24 Volt tilt actuator w/o battery
Optional: 24 Volt tilt actuator w/battery

Whenever you see this symbol, it means Attention! Become Alert! You and/or Your Patients Safety is involved.



Operating instructions must be given to everyone before operating this device

Safety

Essential Safety Precautions

SAFETY SUGGESTIONS

TRI W-G can not anticipate every possible circumstance that might involve potential hazard. The warnings, cautions and safety suggestions in this manual are therefore not inclusive. If an operating procedure, device, maintenance or work method not specifically recommended by TRI W-G is used, you must satisfy yourself that it is safe for you and others. You must also ensure that the product will not be damaged or made unsafe by the procedures you choose.



CAUTION: Denotes a general reminder of good safety practices or directs attention to unsafe practices.

WARNING: Denotes a hazard intermediate between **DANGER** and **CAUTION**.

DANGER: Denotes the most serious hazard.

Become familiar with the controls and their individual responses before operating table.

Become familiar with the following safety statements since they will be found throughout this manual.



CAUTION: To avoid personal injury, lock casters prior to use.

CAUTION: To avoid damage to electrical equipment, use proper power source.

WARNING: To avoid patient injury, assure patient is properly secured with restraining belts.

WARNING: Do not attempt to service any electrical components. Let only a qualified technician do any electrical repair work.

CAUTION: For patient safety, do not leave patient unattended while using restraining belts.

ESSENTIAL SAFETY PRECAUTIONS CONTINUED:



CAUTION: Be sure patient has a good grip on the table frame handhold when lowering/raising table and that patient's feet are firmly located on the footboard. Instruct patient to lean in to the table when lowering/raising table. Instruct patient not to dismount until table has come to complete stop.

TABLE SET-UP

- 1) Remove table from shipping crate. Inspect for any concealed damage that may have occurred during shipment. To assure cushions do not become damaged while moving table through doorways, keep cardboard packing liner on top of cushions.
- 2) Visually check to assure all fasteners are in place and secure.

OPERATION OF TABLE

- 1) After table is properly located, lock wheels by depressing locking mechanism with sole of foot.



CAUTION: To avoid personal injury, lock casters prior to use.

- 2) (115 V, 60 Hz power supply required) Ensure proper power supply and then plug power cord into a (three-prong) grounded hospital grade receptacle.



CAUTION: To avoid damage to electrical equipment, use proper power source.



WARNING: Do not attempt to service any electrical components. Let only a qualified technician do any electrical repair work.

- 3) To raise table when table top is in the horizontal position:

- 1) To change elevation of table top, activate the "Up-Down" rocker switch. Limit control switches will automatically stop the table at extreme "Hi" or "Lo" positions.



CAUTION: To avoid personal injury, only tilt table when elevated to lowest position.

OPERATION OF TABLE CONTINUED:

- 2) To move the table top from the horizontal position to the vertical position, depress the UP button on the hand control switch.
- 3) To move the table top from the vertical position to the horizontal position, depress the DOWN button on the hand control switch. The hand control switch is of a momentary design in that the table top will only tilt when switch is depressed.



CAUTION: Be sure patient has a good grip on the table frame hand hold when lowering/raising table and that patient's feet are firmly located on the footboard. Instruct patient to lean in to the table when lowering/raising table. Instruct patient not to dismount until table has come to complete stop.

- 4) Assure patient is secured to table at all times with restraining belts. Restraining belts must be in place when tilting table.



WARNING: To avoid patient injury, assure patient is properly secured with restraining belts.



CAUTION: For patient safety, do not leave patient unattended while using restraining belts.

SPECIFICATIONS

MODEL 620/630 HI-LO TILT TABLES

LENGTH:

81-1/2" (cover and frame)

WIDTH:

30" (cover and frame)

VERTICAL RANGE*:

25-3/8" to 35-1/8"

TILT RANGE*:

Horizontal to 86 degrees; unit includes inclinometer

TABLE FRAME:

23-1/2" x 55-1/2"

WHEELS:

Model 620: 4 caster wheels, 3" diameter w/brake

Model 630: 1 caster w/brake lock and 1 caster w/track lock (front), 8" diameter. 2 stationary wheels (back), 8" diameter.

TABLE COVER AND PAD:

FIRE RETARDANT**Vinyl cover over 2 inch polyfoam (or equivalent) pad. Many other colors available upon request.

RESTRAINING BELTS:

Two 4" wide belts w/hook & loop fasteners

FOOT PLATFORM:

Oversized. Removable steel and wood.

FINISH:

Polyurethane platinum standard. Polyurethane parchment also available.

ELECTRICAL:

Tilt: 24 Volt DC electro-mechanical drive powered by converter requiring 120 V, single phase, 60 Hz current, equipped with 3 conductor hospital grade plug. Option: Factory installed battery pack included in converter.

Vertical: 1/6 HP instant reverse motor; 3.4 amps; safety micro limit switches. Ordinary 115 V, single phase, 60 Hz., 391 watts. Electrical components: UL recognized

OPTIONAL ACCESSORIES:

*3-piece split cushion; shoulder pad crutches, adjustable clamp on tray

Actuator with or without battery backup

PATIENT LOAD:

Maximum weight capacity.....350 lbs.

WEIGHT:

Model 620 weight.....430 lbs.

Model 620 shipping weight.....515 lbs.

Model 630 weight.....445 lbs.

Model 630 shipping weight.....530 lbs.

WARRANTY:

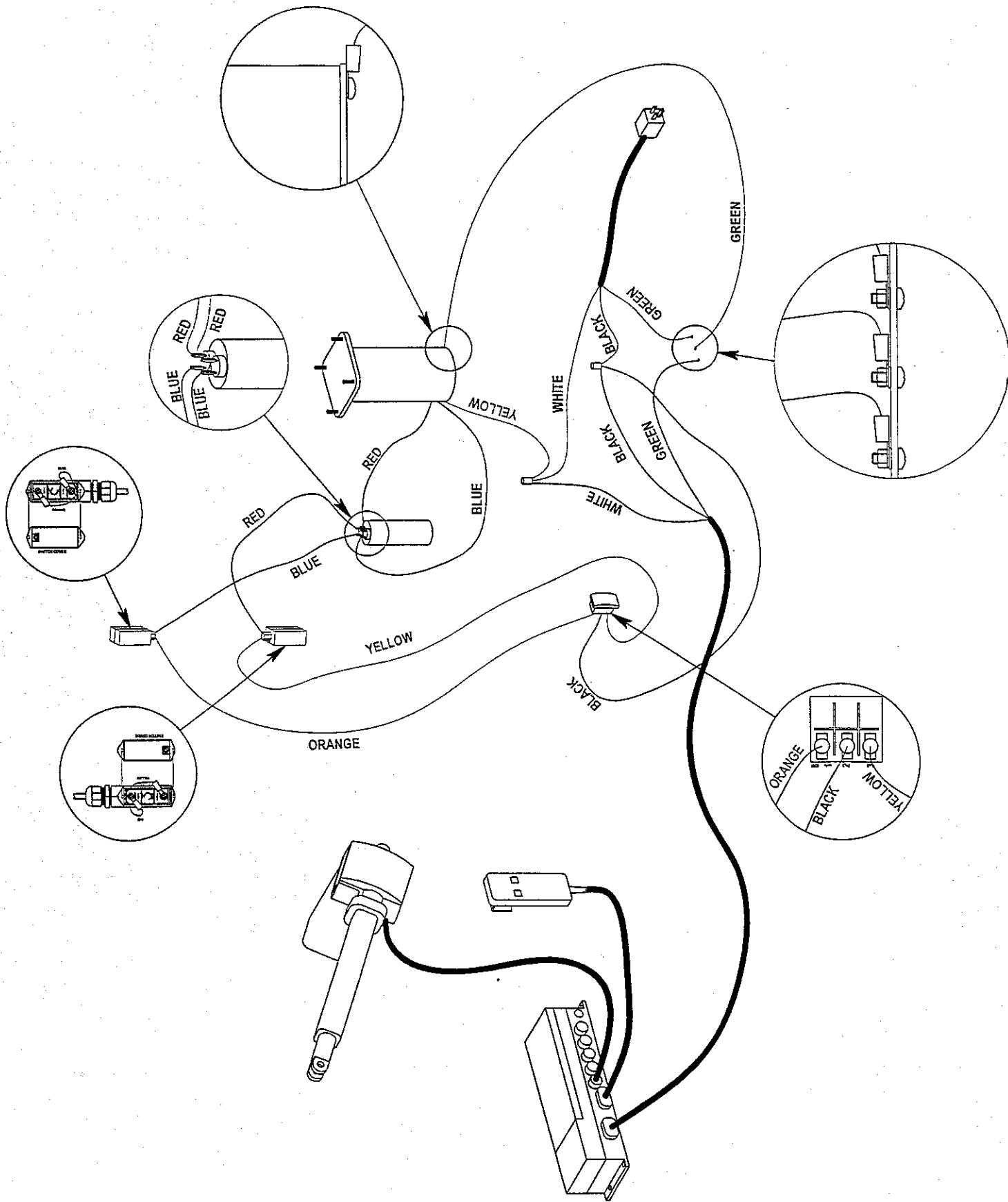
60 months in the case of Products and 12 months in the case of Parts from the date of delivery.

*Nominal adjustments stated

**Flammability requirements for materials are those of the manufacturer and not that of Tri W-G, Inc. This term and any corresponding data refer to typical performance in manufacturer's tests and should not be construed to imply the behavior of this or any other material under other fire conditions.

Every effort has been made to use accurate photography, drawings, product specifications and descriptions at the time of printing. However, because of continuous, progressive product improvement, all specifications and descriptions are subject to change without prior notice.

ELECTRICAL WIRING DIAGRAM



PARTS LIST

620 HI-LO TILT TABLE

| <u>PART NUMBER</u> | <u>PART DESCRIPTION</u> | <u>QUANTITY</u> |
|--------------------|------------------------------------|-----------------|
| 165-201-000 | Base Platform Weldment | 1 |
| 165-202-000 | Top Frame Weldment | 1 |
| 165-203-000 | Shelf | 1 |
| 165-204-000 | Switch Side Panel | 1 |
| 165-205-000 | Footboard Weldment | 1 |
| 165-206-000 | Footboard Mat | 1 |
| 165-207-000 | Caster Bracket Weldment (Foot End) | 1 |
| 165-208-000 | Platform Cover | 1 |
| 165-209-000 | Inclinometer Bracket | 2 |
| 165-210-000 | Side Cover Switch Tab | 1 |
| 165-211-000 | Edging | 1 |
| 165-218-000 | Decal, Tri W-G Serial Number | 1 |
| 111-077-000 | Plexiglas Motor Mount | 2 |
| F162-010-000 | Sprocket Assembly | 1 |
| 162-051-000 | Right Stanchion | 1 |
| 162-052-000 | Right & Left Stanchion | 2 |
| 162-053-000 | Left Stanchion (Limit) | 1 |
| 162-075-000 | Caster Bracket (Head End) | 1 |
| 162-076-000 | Restrainer Bar | 2 |
| 162-084-000 | Counter Weight | 1 |
| 162-110-000 | Motor Mount Bracket | 1 |
| 165-016-000 | Side Panel | 1 |
| 165-017-000 | Telescopic Limit Tube | 1 |
| 165-018-000 | Telescopic Tube | 3 |
| 165-026-000 | Acme Screw | 4 |
| 165-070-000 | Side Panel Tab | 4 |
| 181-016-000 | Limit Stop | 1 |
| 181-017-000 | End Panel | 1 |
| 181-018-000 | Motor End Panel | 1 |
| 181-027-000 | Nylatron | 4 |
| 181-028-000 | Nylatron | 4 |
| 189-013-000 | Bearing Spacer | 1 |
| 165-212-000 | Main Cushion | 1 |
| 165-213-000 | Footboard Cushion | 1 |
| 165-214-000 | Ankle Rest Cushion Assembly | 1 |
| 165-217-000 | Footboard Safety Strap Assembly | 1 |
| 905-101-003 | Screw Stud | 1 |
| 908-003-124 | Assembly for Hook/Loop Belt | 2 |
| 901-001-002 | Idler Sprocket | 1 |
| 901-001-014 | Sproket | 4 |
| 900-011-003 | Self Closing Clip | 2 |
| 901-004-001 | Roller Chain | 13.542' |
| 901-004-002 | Full Link Connector | 1 |
| 903-001-046 | Caster w/Brake | 4 |
| 903-002-003 | Car Hood Rubber Bumper | 2 |

PARTS LIST

620 HI-LO TILT TABLE

| <u>PART NUMBER</u> | <u>PART DESCRIPTION</u> | <u>QUANTITY</u> |
|--------------------|------------------------------|-----------------|
| 904-001-030 | Flanged Lutco Bearing | 4 |
| 905-001-003 | Hex Hd Cap Screw | 8 |
| 905-001-015 | Hex Hd Cap Screw | 20 |
| 905-001-030 | Hex Hd Cap Screw | 1 |
| 905-001-043 | Hex Hd Cap Screw | 2 |
| 905-004-001 | Socket Head Cap Screw | 5 |
| 905-016-010 | Rnd Hd Phil Machine Screw | 4 |
| 905-016-012 | Rnd Hd Phil Machine Screw | 26 |
| 905-016-014 | Rnd Hd Phil Machine Screw | 4 |
| 905-018-006 | Socket Set Screw | 1 |
| 905-019-001 | Socket Set Screw | 6 |
| 905-020-006 | Socket Shoulder Screw | 2 |
| 905-020-011 | Socket Shoulder Screw | 2 |
| 905-026-015 | Rivet | 4 |
| 905-028-008 | Tension Pin | 4 |
| 905-029-003 | Woodruff Key | 4 |
| 905-033-004 | An Washer | 8 |
| 905-036-002 | SAE Flat Washer | 8 |
| 905-036-003 | SAE Flat Washer | 2 |
| 905-036-004 | SAE Flat Washer | 4 |
| 905-037-006 | Shakeproof Washer | 4 |
| 905-038-002 | Standard Wrought Washer | 4 |
| 905-041-003 | Hex Nut | 4 |
| 905-043-001 | Keps Hex Nut | 24 |
| 905-043-002 | Keps Hex Nut | 20 |
| 905-044-004 | Nylock Hex Nut | 5 |
| 905-047-001 | Speed Nut | 22 |
| 905-049-004 | Acorn Nut | 4 |
| 905-052-001 | Jam Nut | 2 |
| 905-069-007 | Hex Crimp Tite Screw | 10 |
| 905-069-011 | Pan Hd Phil Tapping Screw | 11 |
| 905-074-006 | Button Head Cap Screw | 4 |
| 905-089-002 | Flat Phil Tapping Screw | 6 |
| 905-091-003 | Screw, Shoulder, Socket | 1 |
| 905-091-004 | Screw, Shoulder, Socket | 1 |
| 905-092-002 | Nut, Nylock | 2 |
| 906-001-014 | Spring | 1 |
| 907-002-002 | Oilite Bearing | 1 |
| 907-003-012 | Nylon Bearing | 4 |
| 907-003-021 | Nylon Bearing | 4 |
| 907-005-060 | UHMW Washer | 4 |
| 907-005-072 | Nylon Spacer | 4 |
| 907-005-076 | Square Black Plastic End Cap | 2 |
| 907-005-082 | Square Black Plastic End Cap | 2 |
| 909-003-019 | Box | 1 |

PARTS LIST

620 HI-LO TILT TABLE

| <u>PART NUMBER</u> | <u>PART DESCRIPTION</u> | <u>QUANTITY</u> |
|--------------------|--|-----------------|
| 915-001-026 | Decal, Hospital Grade Plug | 1 |
| 915-001-081 | Decal, Caution Electrical Shock | 1 |
| 915-001-082 | Decal, Proper Grounding | 1 |
| 915-001-090 | Decal, Use Restrainer Belts | 1 |
| 915-001-101 | Security Key Tag | 1 |
| 915-001-162 | Up-Down – In-Out Decal | 1 |
| 915-001-200 | Decal, F.B. Strap Must Be Snapped | 1 |
| 915-001-202 | Decal, Attention Normal for Brake to make noise | 1 |
| 917-000-143 | Inclinometer | 2 |
| 900-001-006 | Wire, Black | 1 |
| 900-001-007 | Wire, Yellow | 1 |
| 900-001-008 | Wire, Green, Pivot Ground | 1 |
| 900-001-008 | Wire, Green, Motor to Base | 1 |
| 900-001-009 | Wire, Blue | 1 |
| 900-001-010 | Wire, Orange | 1 |
| 900-001-011 | Wire, Red | 1 |
| 900-001-051 | Cord, Grey | 1 |
| 900-002-001 | Disconnect, Insulated, Female | 7 |
| 900-002-010 | Seam Ring, Vinyl Insulated, Butt | 5 |
| 900-002-029 | Disconnect, Insulated, Butted Seam Ring | 4 |
| 900-003-001 | Twist Lock, Yellow | 2 |
| 900-005-006 | Limit Switch | 2 |
| 900-005-044 | Hand Control | 1 |
| 900-005-051 | Rocker Switch | 1 |
| 900-009-010 | Capacitor | 1 |
| 900-010-055 | Power Supply W/O Battery | 1 |
| 900-010-058 | Magnetic Actuator | 1 |
| 900-010-060 | Motor (Taller)–Hub City Model #2113 | 1 |
| 900-012-003 | Heyco Restrainer | 1 |
| 900-012-010 | Snap Bushing | 2 |
| 905-016-019 | Screw, Machine, Phil, Rnd Hd, Green | 5 |
| 900-026-001 | Capacitor Mount | 1 |
| 905-037-001 | Shaker Washer | 5 |
| 905-041-003 | Nut, Hex | 5 |
| 900-001-008 | Wire, Green | 1 |
| 900-002-010 | Seam Ring, Vinyl Insulated, Butt | 2 |
| 900-010-006 | Motor | 1 |
| 905-037-001 | Shaker Washer | 1 |

PARTS LIST

630 HI-LO TILT TABLE

| <u>PART NUMBER</u> | <u>PART DESCRIPTION</u> | <u>QUANTITY</u> |
|--------------------|---------------------------------|-----------------|
| 165-201-000 | Base Platform Weldment | 1 |
| 165-202-000 | Top Frame Weldment | 1 |
| 165-203-000 | Shelf | 1 |
| 165-204-000 | Switch Side Panel | 1 |
| 165-205-000 | Footboard Weldment | 1 |
| 165-206-000 | Footboard Mat | 1 |
| 163-025-000 | 8" Caster Bracket | 1 |
| 163-075-000 | Left Caster Bracket | 1 |
| 163-076-000 | Right Caster Bracket | 1 |
| 163-077-000 | Axel | 1 |
| 163-101-000 | Decal, Tri W-G Serial Number | 1 |
| 165-208-000 | Platform Cover | 1 |
| 165-209-000 | Inclinometer Bracket | 2 |
| 165-210-000 | Side Cover Switch Tab | 1 |
| 165-211-000 | Edging | 1 |
| 111-077-000 | Plexiglass Motor Mount | 2 |
| F162-010-000 | Sproket Assembly | 1 |
| 162-051-000 | Right Stanchion | 1 |
| 162-052-000 | Right & Left Stanchion | 2 |
| 162-053-000 | Left Stanchion (Limit) | 1 |
| 162-076-000 | Restrainer Bar | 2 |
| 162-084-000 | Counter Weight | 1 |
| 162-110-000 | Motor Mount Bracket | 1 |
| 165-016-000 | Side Panel | 1 |
| 165-017-000 | Telescopic Limit Tube | 1 |
| 165-018-000 | Telescopic Tube | 3 |
| 165-026-000 | Acme Screw | 4 |
| 165-070-000 | Side Panel Tab | 4 |
| 181-016-000 | Limit Stop | 1 |
| 181-017-000 | End Panel | 1 |
| 181-018-000 | Motor End Panel | 1 |
| 181-027-000 | Nylatron | 4 |
| 181-028-000 | Nylatron | 4 |
| 189-013-000 | Bearing Spacer | 1 |
| 165-212-000 | Main Cushion | 1 |
| 165-213-000 | Footboard Cushion | 1 |
| 165-214-000 | Ankle Rest Cushion Assembly | 1 |
| 165-217-000 | Footboard Safety Strap Assembly | 1 |
| 905-101-003 | Screw Stud | 1 |
| 908-003-124 | Assembly for Hook/Loop Belt | 2 |
| 901-001-002 | Idler Sprocket | 1 |
| 901-001-014 | Sproket | 4 |
| 900-011-003 | Self Closing Clip | 2 |
| 901-004-001 | Roller Chain | 13.542' |
| 901-004-002 | Full Link Connector | 1 |

630 HI-LO TILT TABLE

| | | |
|-------------|-------------------------------|----|
| 903-001-036 | Maxi Lock w/Exp. Stem | 1 |
| 903-001-037 | Track Lock w/Exp. Stem | 1 |
| 903-001-051 | Wheel | 2 |
| 903-002-003 | Car Hood Rubber Bumper | 2 |
| 904-001-030 | Flanged Lutco Bearing | 4 |
| 905-001-003 | Hex Hd Cap Screw | 8 |
| 905-001-015 | Hex Hd Cap Screw | 20 |
| 905-001-030 | Hex Hd Cap Screw | 1 |
| 905-001-043 | Hex Hd Cap Screw | 2 |
| 905-004-001 | Socket Head Cap Screw | 5 |
| 905-016-010 | Rnd Hd Phil Machine Screw | 4 |
| 905-016-012 | Rnd Hd Phil Machine Screw | 26 |
| 905-016-014 | Rnd Hd Phil Machine Screw | 4 |
| 905-018-006 | Socket Set Screw | 1 |
| 905-019-001 | Socket Set Screw | 6 |
| 905-020-006 | Socket Shoulder Screw | 2 |
| 905-020-011 | Socket Shoulder Screw | 2 |
| 905-025-013 | Ext. Self Seat Retaining Ring | 2 |
| 905-026-015 | Rivet | 4 |
| 905-028-008 | Tension Pin | 4 |
| 905-029-003 | Woodruff Key | 4 |
| 905-033-004 | An Washer | 8 |
| 905-036-002 | SAE Flat Washer | 8 |
| 905-036-003 | SAE Flat Washer | 2 |
| 905-036-004 | SAE Flat Washer | 4 |
| 905-037-006 | Shakeproof Washer | 4 |
| 905-038-002 | Standard Wrought Washer | 4 |
| 905-041-003 | Hex Nut | 4 |
| 905-043-001 | Keps Hex Nut | 24 |
| 905-043-002 | Keps Hex Nut | 20 |
| 905-044-004 | Nylock Hex Nut | 5 |
| 905-047-001 | Speed Nut | 22 |
| 905-049-004 | Acorn Nut | 4 |
| 905-052-001 | Jam Nut | 2 |
| 905-069-007 | Hex Crimp Tite Screw | 10 |
| 905-069-011 | Pan Hd Phil Tapping Screw | 11 |
| 905-074-006 | Button Head Cap Screw | 4 |
| 905-089-002 | Flat Phil Tapping Screw | 6 |
| 905-091-003 | Screw, Shoulder, Socket | 1 |
| 905-091-004 | Screw, Shoulder, Socket | 1 |
| 905-092-002 | Nut, Nylock | 2 |
| 906-001-014 | Spring | 1 |
| 907-002-002 | Oilite Bearing | 1 |
| 907-003-012 | Nylon Bearing | 4 |
| 907-003-021 | Nylon Bearing | 4 |
| 907-005-060 | UHMW Washer | 4 |
| 907-005-072 | Nylon Spacer | 4 |
| 907-005-076 | Square Black Plastic End Cap | 2 |
| 907-005-082 | Square Black Plastic End Cap | 2 |

PARTS LIST

630 HI-LO TILT TABLE

| <u>PART NUMBER</u> | <u>PART DESCRIPTION</u> | <u>QUANTITY</u> |
|--------------------|--|-----------------|
| 909-003-019 | Box | 1 |
| 915-001-026 | Decal, Hospital Grade Plug | 1 |
| 915-001-081 | Decal, Caution Electrical Shock | 1 |
| 915-001-082 | Decal, Proper Grounding | 1 |
| 915-001-090 | Decal, Use Restrainer Belts | 1 |
| 915-001-101 | Security Key Tag | 1 |
| 915-001-162 | Up-Down – In-Out Decal | 1 |
| 915-001-200 | Decal, F.B. Strap Must Be Snapped | 1 |
| 915-001-202 | Decal, Attention Normal for Brake to make noise | 1 |
| 917-000-143 | Inclinometer | 2 |
| 900-001-006 | Wire, Black | 1 |
| 900-001-007 | Wire, Yellow | 1 |
| 900-001-008 | Wire, Green, Pivot Ground | 1 |
| 900-001-008 | Wire, Green, Motor to Base | 1 |
| 900-001-009 | Wire, Blue | 1 |
| 900-001-010 | Wire, Orange | 1 |
| 900-001-011 | Wire, Red | 1 |
| 900-001-051 | Cord, Grey | 1 |
| 900-002-001 | Disconnect, Insulated, Female | 7 |
| 900-002-010 | Seam Ring, Vinyl Insulated, Butt | 5 |
| 900-002-029 | Disconnect, Insulated, Butted Seam Ring | 4 |
| 900-003-001 | Twist Lock, Yellow | 2 |
| 900-005-006 | Limit Switch | 2 |
| 900-005-044 | Hand Control | 1 |
| 900-005-051 | Rocker Switch | 1 |
| 900-009-010 | Capacitor | 1 |
| 900-010-055 | Power Supply W/O Battery | 1 |
| 900-010-058 | Magnetic Actuator | 1 |
| 900-010-060 | Motor (Taller)–Hub City Model #2113 | 1 |
| 900-012-003 | Heyco Restrainer | 1 |
| 900-012-010 | Snap Bushing | 2 |
| 905-016-019 | Screw, Machine, Phil, Rnd Hd, Green | 5 |
| 900-026-001 | Capacitor Mount | 1 |
| 905-037-001 | Shaker Washer | 5 |
| 900-041-003 | Nut, Hex | 5 |
| 900-001-008 | Wire, Green | 1 |
| 900-002-010 | Seam Ring, Vinyl Insulated, Butt | 2 |
| 900-010-006 | Motor | 1 |
| 905-037-001 | Shaker Washer | 1 |

SERVICE MAINTENANCE PROGRAM

This device has been designed and built to provide many years of reliable service. To keep this device in good operating condition, a service maintenance program should be established to assure continued trouble-free service.

The below items should be included in the service maintenance program. A check list has been provided at the back of this manual to provide an area to document the date of inspection and comments.

- 1) Assure motor/actuator mount bolts are secure. NOTE: the pivot bolts are provided with a lock nut to provide movement of the actuator during operation.
- 2) Assure all other bolts and screws are tight.
- 3) Assure power cord does not show signs of wear or damage.
- 4) Visually inspect device while operating to assure it is functioning as it should.
- 5) Assure hand and/or foot control is functioning as it should.
- 6) Inspect restraining belt loop portion of the velcro strap to assure that it has not become weakened due to wear or breakage.
- 7) Assure table hinge shaft is in place and set screws in collar are tight.

REPAIR OR REPLACE ANY ITEM THAT APPEARS WORN OR UNSAFE!!

