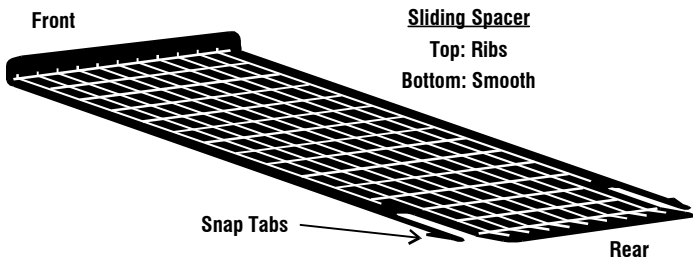
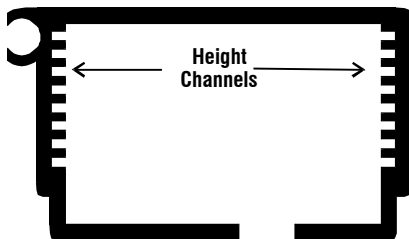
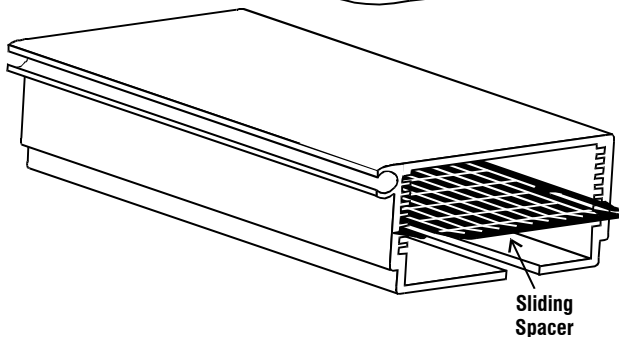
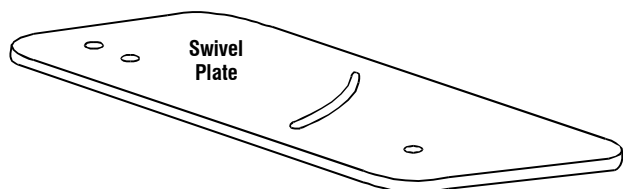


# SWIVEL HALF TRAYS

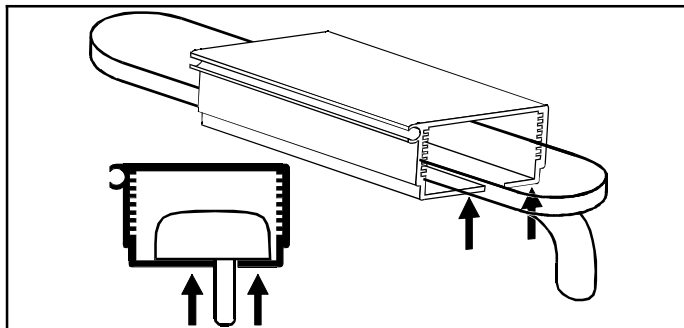
## Parts Description



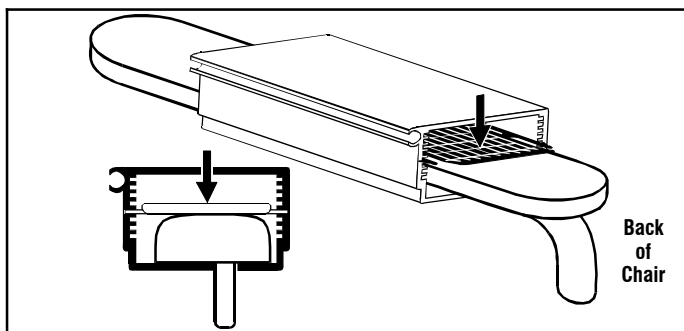
9450 W Laraway Rd • Frankfort, IL 60423  
Customer 800-843-7234 • Fax 888-479-1515  
www.Therafin.com • info@Therafin.com

## ADJUSTING BRACKET HEIGHT TO FIT ARMPAD THICKNESS

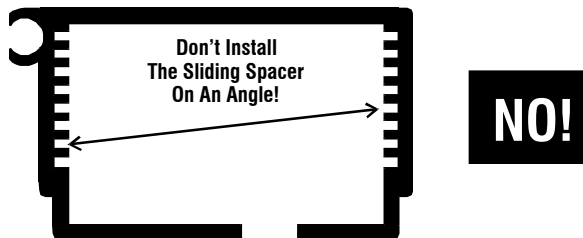
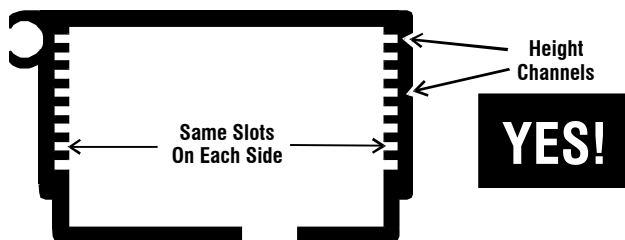
1. Slide bracket over armrest, and push the bracket up, so the bottom of the bracket touches the underside of the armrest.



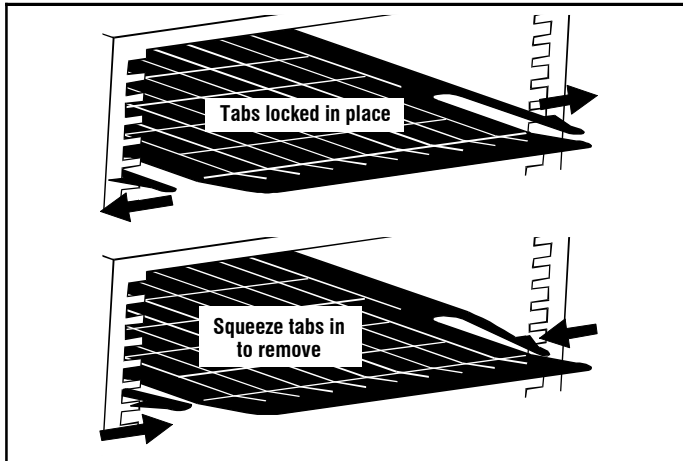
2. To insert the **Sliding Spacer** into the appropriate **Height Channel**, put the **Snap Tabs** in a channel, then push the **Sliding Spacer** completely into the bracket so that the tabs go completely through the bracket and snap into place. This allows the **Sliding Spacer** to be locked in place. **NOTE:** To choose the correct **Height Channel**, choose the channel that will allow the bracket to snugly fit on the armrest pad. The bracket must fit snugly on the armrest to provide a stable mounting foundation.



3. The **Snap Tabs** on either side of the **Sliding Spacer** **MUST BE INSTALLED INTO THE SAME SLOT ON EACH SIDE OF THE BRACKET.**



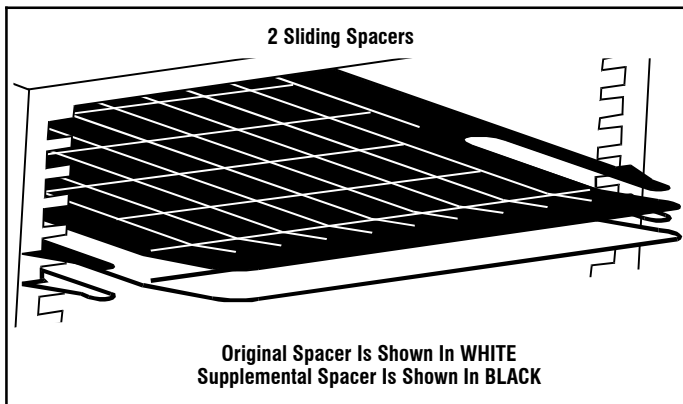
- To remove the **Sliding Spacer**, gently squeeze both **Snap Tabs** in, and push the Sliding Spacer back through the bracket.



## USING TWO SLIDING SPACERS

- Two **Sliding Spacers** may be used together to provide maximum support in cases of extra weight or extreme pressure exerted on the half tray and bracket.
- Adjust the bracket height to fit armpad thickness as shown on the reverse of this page. Clearly mark the slot you have chosen, so you don't change the snug fit on the armrest pad. Remove the **ORIGINAL Sliding Spacer**.
- Install the **SUPPLEMENTAL Sliding Spacer** in the **Height Channel DIRECTLY ABOVE** (toward the tray) the slots you have marked.
- Reinstall the **ORIGINAL Sliding Spacer** in the **Height Channel** you have marked.

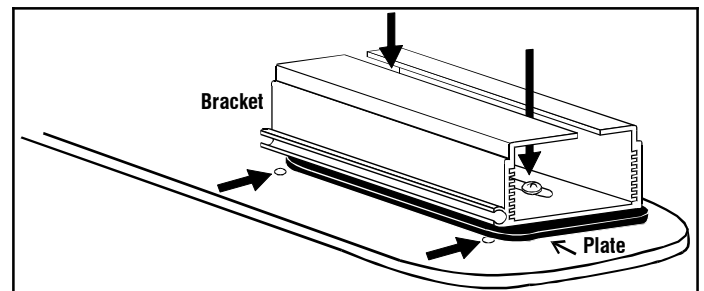
**NOTE:** If the correct **Height Channel** to fit your armpad is the **VERY TOP SLOT**, you will not need to use two **Sliding Spacers**, as the bracket itself will provide the extra support needed.



## ADJUSTING THE SWIVEL UNIT

The swivel unit may be tightened to hold the tray in a desired swivel position:

- Tighten the two screws that attach the **Bracket** to the **Plate**. The **Sliding Spacer** must be removed to do this.



The **Plate** may be moved into the second set of holes on the underside of the tray, if a little more space is desired between the user and the tray:

- Remove the **Sliding Spacer**. Then remove the 2 screws that attach the **Bracket** to the **Plate**.
- Finally, remove the 2 screws that attach the **Plate** to the underside of the tray.
- Move the **Plate** over and replace the 2 screws into the other set of holes on the underside of the tray.
- Reattach the **Bracket** to the **Plate**, and put the **Sliding Spacer** back into the chosen **Height Channel**.