



This manual has been prepared for the owners and operators of the ARMEDICA™ AM-BA Series Hi-Lo Treatment Tables. It contains installation instructions, precautionary instructions and maintenance procedures for the following model numbers:

**AM-BA134, AM-BA140, AM-BA234,
AM-BA240, AM-BA334, AM-BA340**



ISO 13485
FM 50089
Made in the U.S.A

AM-BA SERIES HI-LO TREATMENT TABLES

Armedica Treatment Tables are intended to be used as physical therapy supports for patients during clinician attended physical therapy related diagnosis, treatment, and monitoring. The table is equipped with a vertical table height adjustment actuator and casters for mobile transport. Patients are not to be left unattended.

INSTALLATION

1. Remove all packaging material from the tables.
2. There is no assembly required on ARMEDICA™ Treatment Tables.
3. Plug the power cord into a properly grounded 120 Volt AC outlet and follow the procedure outlined in the Precautionary Instructions.
4. The table is equipped with four total lock swivel casters for maximum stability.
5. The motor is equipped with a thermal cutout that protects it from overheating.

PRECAUTIONARY INSTRUCTIONS

1. Read, understand and practice the precautionary instructions in this manual. Know the limitations and the hazards associated with ARMEDICA™ Treatment Tables.
2. The motor is double insulated for protection from EMI. This equipment has been tested and found to comply with the limits for medical devices to the IEC 60601-1-2: Third edition 2007-03. These limits are designed to provide reasonable protection against harmful interference in a typical medical installation. This equipment generates, uses and can radiate radio frequency energy and, if not installed and used in accordance with the instructions, may cause harmful interference to other devices in the vicinity. However, equipment does cause harmful interference to other devices, which can be determined by turning the equipment off and on, the user is encouraged to try to correct the interference by one or more of the following measures:
 - Reorient or relocate the receiving device.
 - Increase the separation between the equipment.
 - Connect the equipment into an outlet on a circuit different from that to which the other device(s) are connected.
 - Consult the manufacturer or field service technician for assistance.
3. Always make certain all four casters are locked prior to patient use.
4. Always use both hands when changing the angle of any section of the table.
5. Never change the angle of any section when the patient's weight is on that section.
6. Never place your hands or feet nor the patient's hands or feet near any of the working mechanisms of the table when raising or lowering the table.
7. **Never leave patient unattended.**

OPERATING INSTRUCTIONS

To adjust the height of ARMEDICA™ Treatment Tables, a foot bar extending the length of the table is used to activate the electric motor assembly. Pressing down on the bar will raise the table. Lifting up on the bar will lower the table.

Duty cycle on/off Int. 1 min./ 9 min.

TABLE SECTION ADJUSTMENTS

The sections of ARMEDICA™ Treatment Tables are raised by lifting them with both hands. The locking mechanism holds them securely at any angle. To lower a section, hold it in one hand and release the locking mechanism by turning the knob with the other.

CAUTION: When lowering any of the table sections, make certain that your hands are placed where they cannot come in contact with the board supports.

CAUTION: When adjusting the sections with the patient on the table, be sure that the patient's weight is not on the section you are going to adjust

MAINTENANCE

ARMEDICA™ Treatment Tables are equipped with a maintenance free electric motor. The moving parts of the table should have a drop of oil placed on them approximately every six months.

Frequently check to make certain that all hardware (nuts, bolts, etc.) are properly adjusted and securely fastened.

In the event it becomes necessary to replace the switch cord or the power cord, use the gray cord removal tool included with this manual to remove cord. Make certain that the plug is in properly and the locking tabs on the motor are snapped into place.

The vinyl upholstery should be cleaned with mild soap and water and the table frame wiped with a dry cloth to remove dust and lint when necessary.

SYMBOLS AND INDICATORS



Attention: Consult accompanying documents.



Type B Equipment: "An adequate degree of protection against electric shock is provided, particularly regarding leakage currents and reliability of the protective earth connection."



The grounding pin located on the power supply cable is for functional use only, and is present for EMI/ EMC purposes. The product is Class II equipment and does not rely on this grounding means for safety.

TROUBLE SHOOTING

MOTOR DOESN'T WORK.

- A. Check to see if motor is plugged into receptacle, and the power cord is properly plugged into the motor.
- B. Make sure receptacle is getting power.
- C. Check switch cable running from switch box and make sure it is plugged in properly.
- D. Thermal cutout may have activated. Allow the motor to cool.
- E. In the event there is a failure of the motor, the motor must be returned to Armedica Mfg. Corp. The motor must be serviced by the manufacturer.

MOTOR SPECIFICATIONS

Magnetic Corp., Olney, Illinois 62450
Model MAX 65-A200415A1001-000.
Rated Voltage and Frequency 120V 60HZ.
Current 1.8 Amps.
UL CORD SET 140-355
Duty cycle: on/off Int. 1 min. / 9 min.
Micro switch model E13-00K

TRANSPORT AND STORAGE

Ambient temperature: -20 to 70deg. C
Relative humidity: 10 to 100%, including
Condensation
Atmospheric pressure: 500hPa to 1060hPa

TABLE LIFTING CAPACITY: 500 LBS. (226 KILOGRAMS)

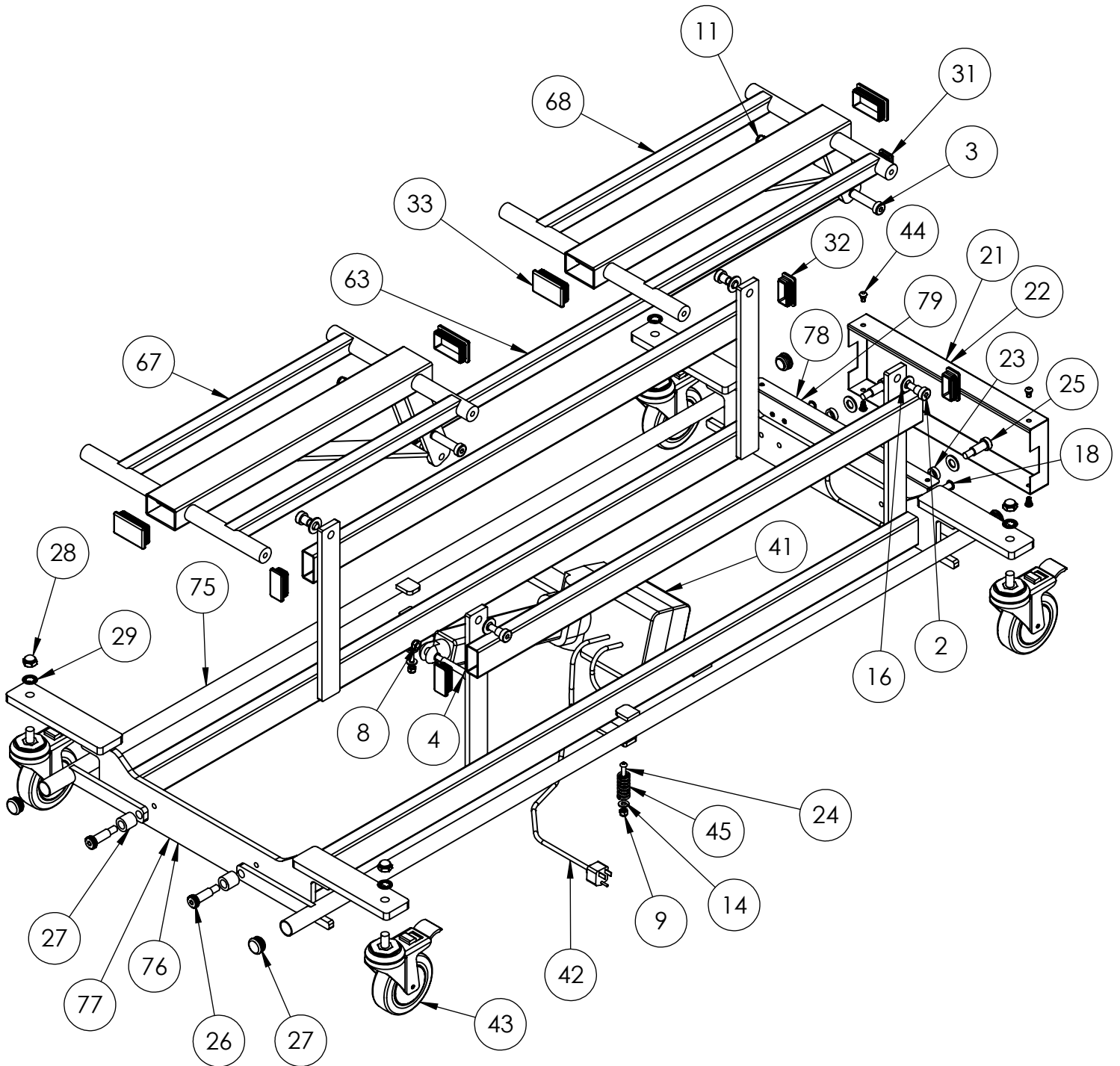
PARTS LIST

ITEM NO.	PART NO.	DESCRIPTION	QUANTITY/MODEL NO.					
			134	140	234	240	334	340
1	02005	BOLT SHLDR 5/16x3/4			2	2	4	4
2	02015	BOLT SHLDR 1/2x1/2	8	8	8	8	8	8
3	02020	BOLT SHLDR 1/2x2	2	2	2	2	2	2
4	02026	BOLT SHLDR M10X50	2	2	2	2	2	2
5	02035	SCREW BTN HD SOC 5/16-18x1-1/2			2	2	4	4
6	02045	SCREW HX HD CAP 1/4-20x1			2	2	2	2
7	02065	SCREW HX WASHER HD #14x1	9	9	13	13	12	16
8	02092	NUT NYLOCK M8-1.25 HEAVY	2	2	2	2	2	2
9	02100	NUT NYLOCK 1/4-20	2	2	2	2	4	4
10	02105	NUT NYLOCK 5/16-18			2	2	4	4
11	02110	NUT NYLOCK 3/8-16	2	2	2	2	2	2
12	02120	NUT HX FIN 1/4-20					2	2
13	02135	NUT HX FIN JAM 1/2-13			2	2	4	4
14	02140	WASHER 1/4	2	2	2	2	2	2
15	02160	WASHER NYLON 5/16 ID			4	4	8	8
16	02165	WASHER NYLON 1/2 ID	10	10	10	10	10	10
17	02170	PIN SPRING 3/16x1			2	2	4	4
18	02176	SCREW BTN HD SOC 3/8-16X3/4	2	2	2	2	2	2
19	02204	CABLE TIE ADHESIVE MOUNT	3	3	3	3	3	3
20	02235	CABLE TIE 1/16" X 6"	3	3	3	3	3	3
21	02483	PLT CVR FRMD1-9/16x4-3/4x15-1/4PNTD	1	1	1		1	
22	02487	PLT CVR FRMD 1-9/16x4-3/4x21 PNTD		1		1		1
23	02528	SPACER PLAS .775 ODx.515 IDx.250 RL	4	4	4	4	4	4
24	02538	SCREW BTN HD SOC 1/4-20x3/4	2	2	2	2	2	2
25	02645	BOLT SHLDR 1/2x1	2	2	2	2	2	2
26	02646	BOLT SHLDR 1/2x1-1/4	2	2	2	2	2	2
27	02657	PLUG RD 1"ODx14-20 GA BLK	4	4	4	4	4	4
28	02660	NUT ACORN 1/2-13 NICKEL PLATED	4	4	4	4	4	4
29	02661	WASHER LOC 1/2" INTERNAL TOOTH PLTD	4	4	4	4	4	4
30	02662	SPACER PLAS .620 ODx .504 IDx 13/16	2	2	2	2	2	2
31	03010	PLUG 1x1x14GA	2	2	2	2	2	2
32	03015	PLUG 1x2x14GA	8	8	8	8	8	8
33	03020	PLUG 1-1/2x2-1/2x11GA	4	4	4	4	4	4
34	03025	SPRING TORSION RH			1	1	1	1
35	03030	SPRING TORSION LESS BEND RIGHT					1	1
36	03035	SPRING TORSION LH			1	1	1	1
37	03040	SPRING TORSION LESS BEND LEFT					1	1
38	03065	GLIDE 1/4-20x1			2	2	2	2
39	03070	KNOB WING 1/2X13 ID			2	2	4	4
40	03080	RIV NUT 1/4-20 14GA			2	2	2	2
41	03105	MOTOR MAX65 8000N 120V	1	1	1	1	1	1
42	03107	CORD PWR MAX65 MTR 8000N	1	1	1	1	1	1
43	03178	CASTER DTCAS 4" DUAL LOCK	4	4	4	4	4	4
44	03193	RIVET PLAS PUSH FT RAIL COVER BLK			4	4	4	4
45	03429	SPRING COMPRSSN 3/4x1-5/8 ZINC PLTD			2	2	2	2
46	13018	ROD 1/2x27 THD'D 26W HD LOC PLTD					1	
47	13023	ROD 1/2x28-1/2 THD'D 26W SEC LOC PL			1		1	
48	13038	ROD 1/2x36-1/2 THD'D 34W SEC PLTD				1		1

PARTS LIST

ITEM NO.	PART NO.	DESCRIPTION	QUANTITY/MODEL NO.					
			134	140	234	240	334	340
49	13043	ROD 1/2x35 THD'D 34W HD LOC PLTD						1
50	13095	SPACER .913ODx.635 IDx.641 WHT PLAS			2		2	
51	14072	BD UPH BOBATH HEAD SECTION AM-240				1		
52	14073	BD UPH BOBATH BODY SECTION AM-240				1		
53	14078	BD UPH BARIATRIC BACK			1			
54	14080	BD UPH BARIATRIC BODY			1			
55	14331	BD UPH 15X34 HD					1	
56	14332	BD UPH 21-1/4X34 CENTER					1	
57	14333	BD UPH 39X34 FOOT					1	
58	14341	BD UPH 15 X 40 HD						1
59	14342	BD UPH 21-1/4 X 40 CTR						1
60	14343	BD UPH 39x40 FT						1
61	18127	BRKT LOCK SUPPORT PLATED			2	2	4	4
62	18172	FRAME HD SEC 334-26W PNTD					1	
63	18184	CONTROL ROD 1 PC PNTD	1	1	1	1	1	1
64	18187	FRAME HD SEC 340-34W PNTD						1
65	18233	FRAME TOP 240-34W PNTD				1		
66	18265	FRAME TOP 234-26W PNTD			1			
67	18306	LIFT ARM HEAVY DUTY HEAD END PNTD	1	1	1	1	1	1
68	18308	LIFT ARM HEAVY DUTY FOOT END PNTD	1	1	1	1	1	1
69	18328	FRAME TOP 334 26W RR PNTD					1	
70	18347	FRAME TOP 340 34W RR PNTD						1
71	18349	FRAME FT SEC 26W RR PNTD			1		1	
72	18427	FRAME FT SEC 34W RR PNTD				1		1
73	18446	ROD 1/2x11-11/16 HD SEC SPPT PLTD					2	2
74	18452	ROD 1/2x18 400 TRAC FT SPPT PLTD			2	2	2	2
75	18927	BAR FOOT SWITCH BC BASE PNTD	2	2	2	2	2	2
76	18958	BASE BA 4 CSTR 32 WIDE PNTD	1	1	1		1	
77	18968	BASE BA 4 CSTR 37-1/4W PNTD		1		1		1
78	19021	PLATE FRMD SWITCH MNT 15-1/8 ASSEMB	1		1		1	
79	19022	PLATE FRMD SWITCH MNT 20-3/8 ASSEMB		1		1		1
80	02077	NUT NYLOCK 6-32	8	8	8	8	8	8
81	02481	PLATE FORMED SWITCH MNT 15-1/8 PNTD	1		1		1	
82	02483	PLT CVR FORMED1-9/16x4-3/4x15-1/4PNTD	1		1		1	
83	02647	SPACER PLAS .251 ODx.152 IDx.156	8	8	8	8	8	8
84	03190	TERM GS INSUL NYLON FEMALE 22-18GA	8	8	8	8	8	8
85	03191	SWITCH LIMIT ROLLER FT RAIL E13-00K	4	4	4	4	4	4
86	03192	STRAIN RELIEF FT RAIL SWTCH COVER	1	1	1	1	1	1
87	03193	RIVET PLAS PUSH FT RAIL COVER BLK	2	2	2	2	2	2
88	02487	PLT CVR FRMD 1-9/16x4-3/4x21 PNTD		1		1		1
89	03263	TERMINAL BLOCK 12 POLE 18-20GA 350V	1	1	1	1	1	1
90	03283	CABLE MAX65 FT BAR CONTROL 2.55M	1	1	1	1	1	1
91	02485	PLATE FORMED SWITCH MOUNT 20-7/8 PNTD		1		1		1
92	18759	FRAME TOP AM134 PAINTED	1					
93	18318	FRAME TOP AM140 PAINTED		1				
94	14872	BD UPH 134 TOP 34x76	1					
95	14873	BD UPH 140 TOP 40x76		1				
96	02070	SCREW HEX WASHER HEAD #14x1-3/4	9	9				
97	2265	SHT MTL AM-BA SIDE SHIELD PNTD	2	2	2	2	2	2
98	2252	SCREW PAN HD PHIL 10-24x1/2	2	2	2	2	2	2
99	2207	WASHER SEALED #10x1/2 GALV STEEL	2	2	2	2	2	2

TABLE BASE
 AM-BA 134, 140,
 234, 240, 334, 340



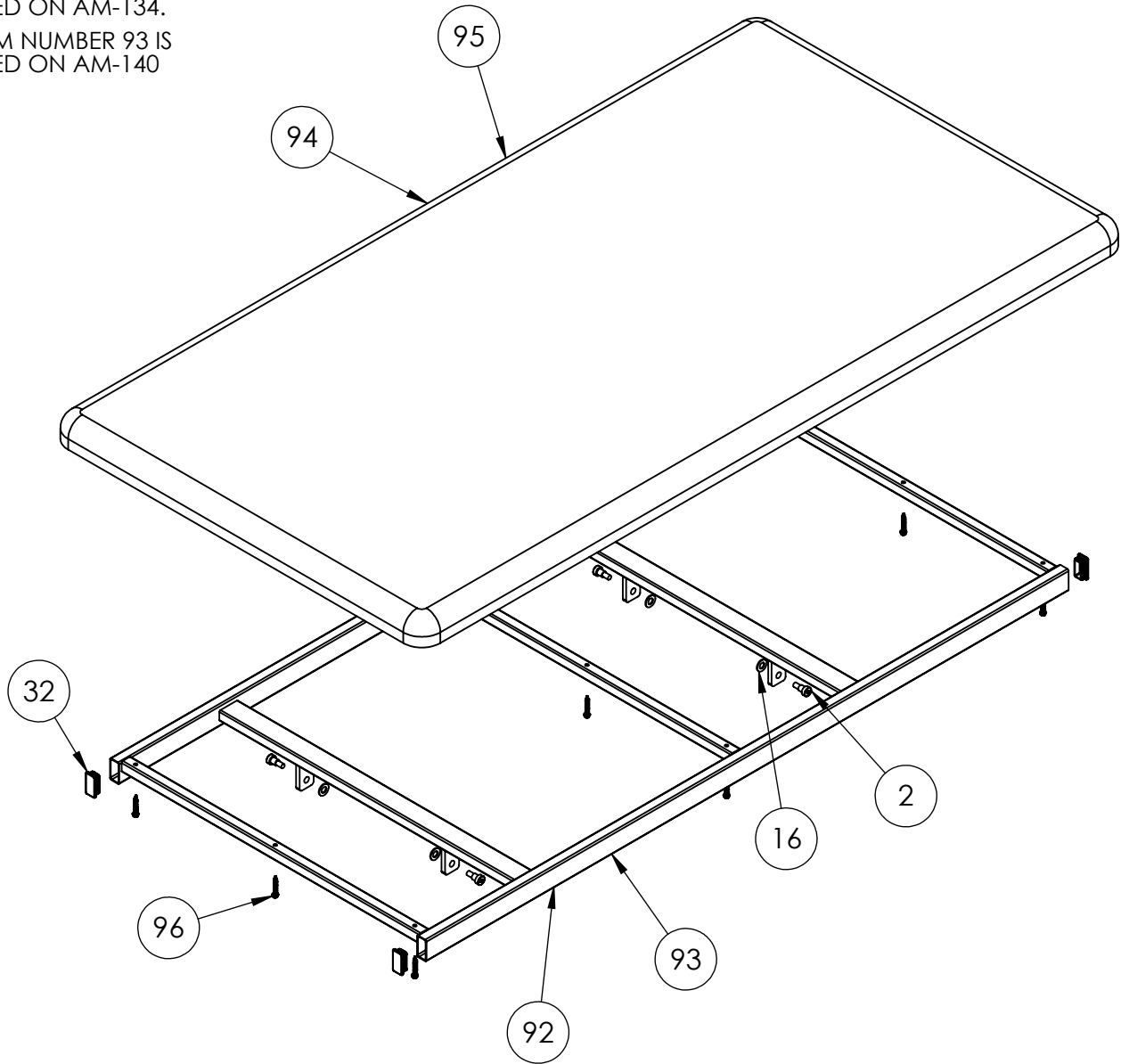
TOP FRAME AM 134, 140

REFER TO MODEL NUMBER COLUMN
ON PARTS LIST FOR ITEMS WITH
TWO REFERENCE NUMBERS.

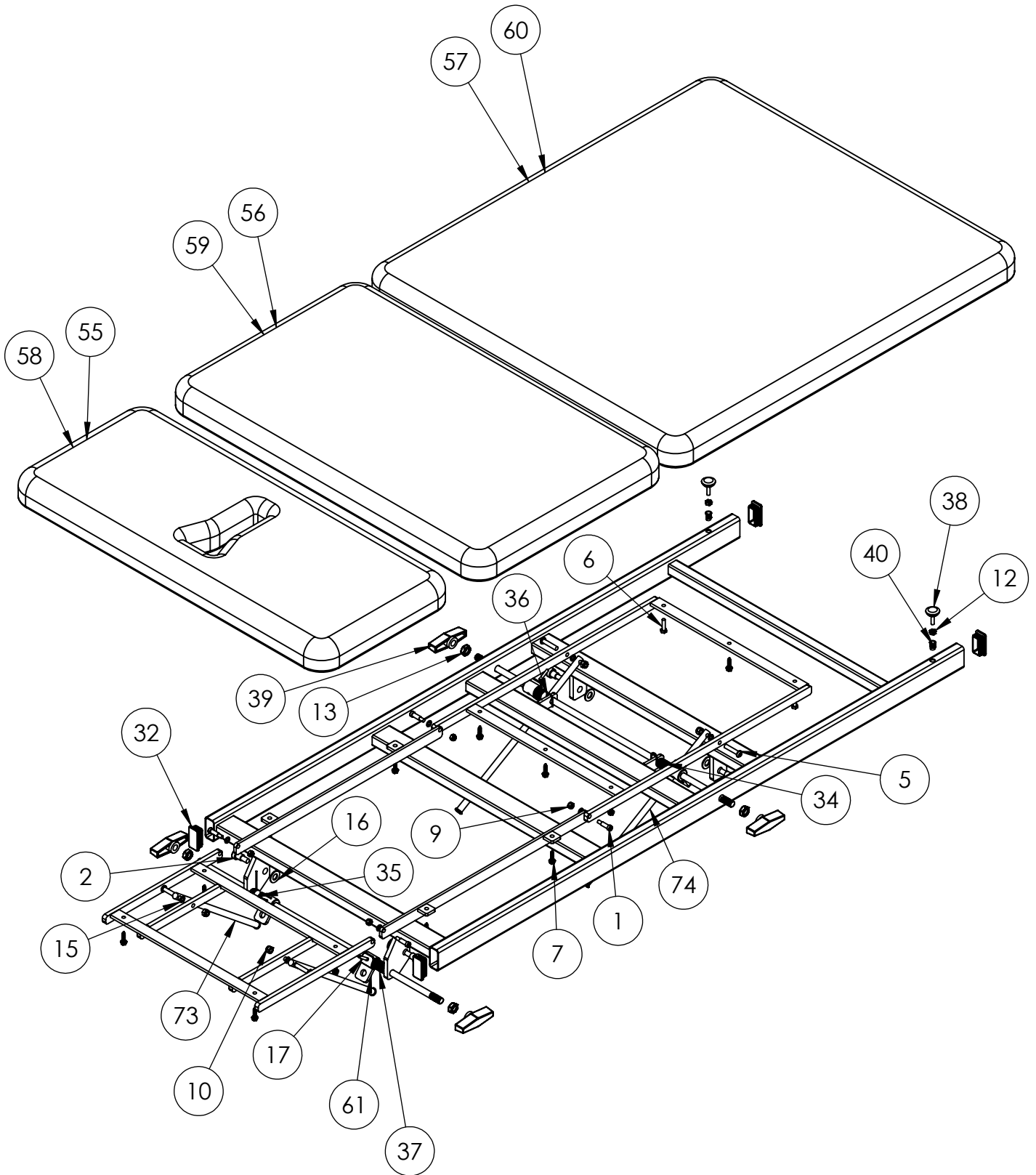
EXAMPLE:

ITEM NUMBER 92 IS
USED ON AM-134.

ITEM NUMBER 93 IS
USED ON AM-140

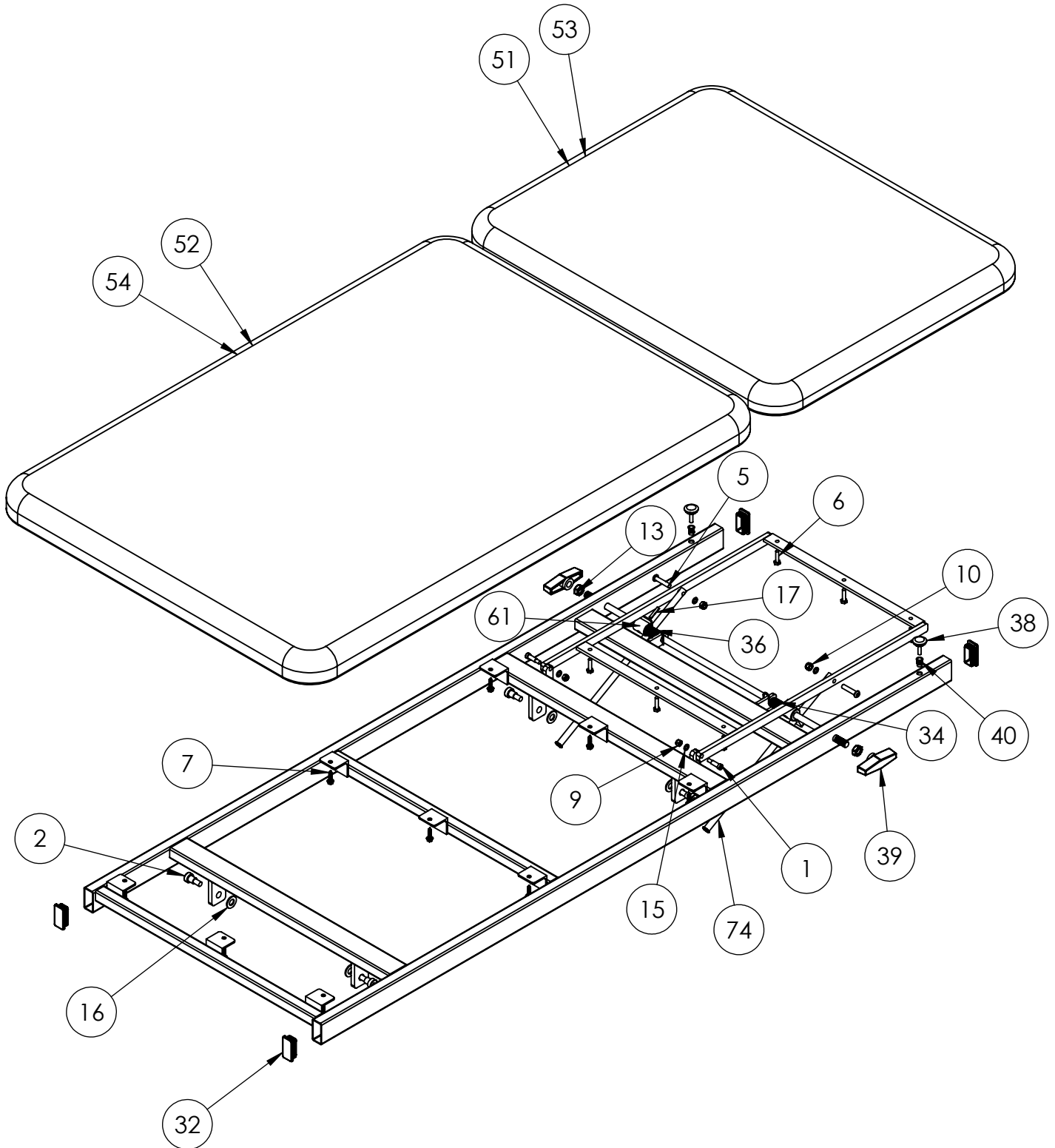


TOP FRAME
AM-BA 334, 340



REFER TO MODEL NUMBER COLUMN ON PARTS LIST
FOR ITEMS WITH TWO REFERENCE NUMBERS.
EXAMPLE: ITEM NUMBER 55 IS USED ON AM-BA334.
ITEM NUMBER 58 IS USED ON AM-BA340.

TOP FRAME
AM-BA 234, 240



REFER TO MODEL NUMBER COLUMN ON PARTS LIST
FOR ITEMS WITH TWO REFERENCE NUMBERS.
EXAMPLE: ITEM NUMBER 54 IS USED ON AM-BA234.
ITEM NUMBER 52 IS USED ON AM-BA240

MICRO SWITCHES

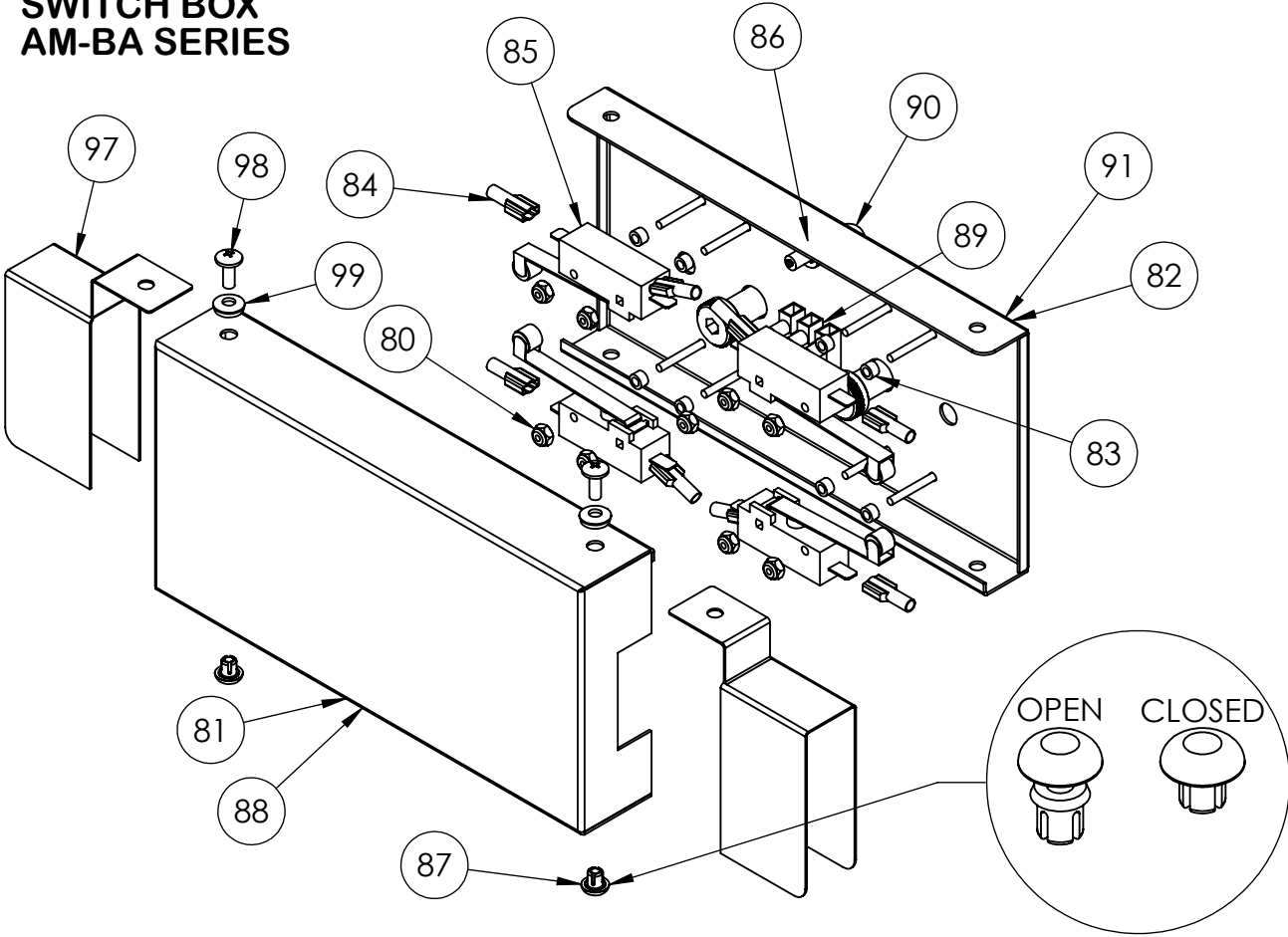
The bar activated treatment table is equipped with 4 micro switches located in the box mounted on the foot end of the base. The switches are designed to provide years of reliable service. In the rare case that a switch does become inoperative, the box at the rear of the table must be accessed. The switches are low voltage and are not a shock hazard. However caution should be used while servicing. The wires connecting the terminals to the switch are light gage and easily damaged. To replace a micro switch, follow these instructions while referring to switch box and wire diagram drawings.

1. Remove the cover plate (81, 88) by removing 2 screws (98) from top and 2 black plastic reusable rivets (87). Carefully slide the blade of the screw driver under the head of the rivet so damage to the finish does not occur. The head of the rivet will pop up allowing it to be removed. **DO NOT DISCARD RIVETS**
2. Using both hands, gently remove cover plate by pulling directly away from mounted switch plate (82, 91).
3. Use the foot control bar to determine which micro switch is not functioning then disconnect the table from the power source.

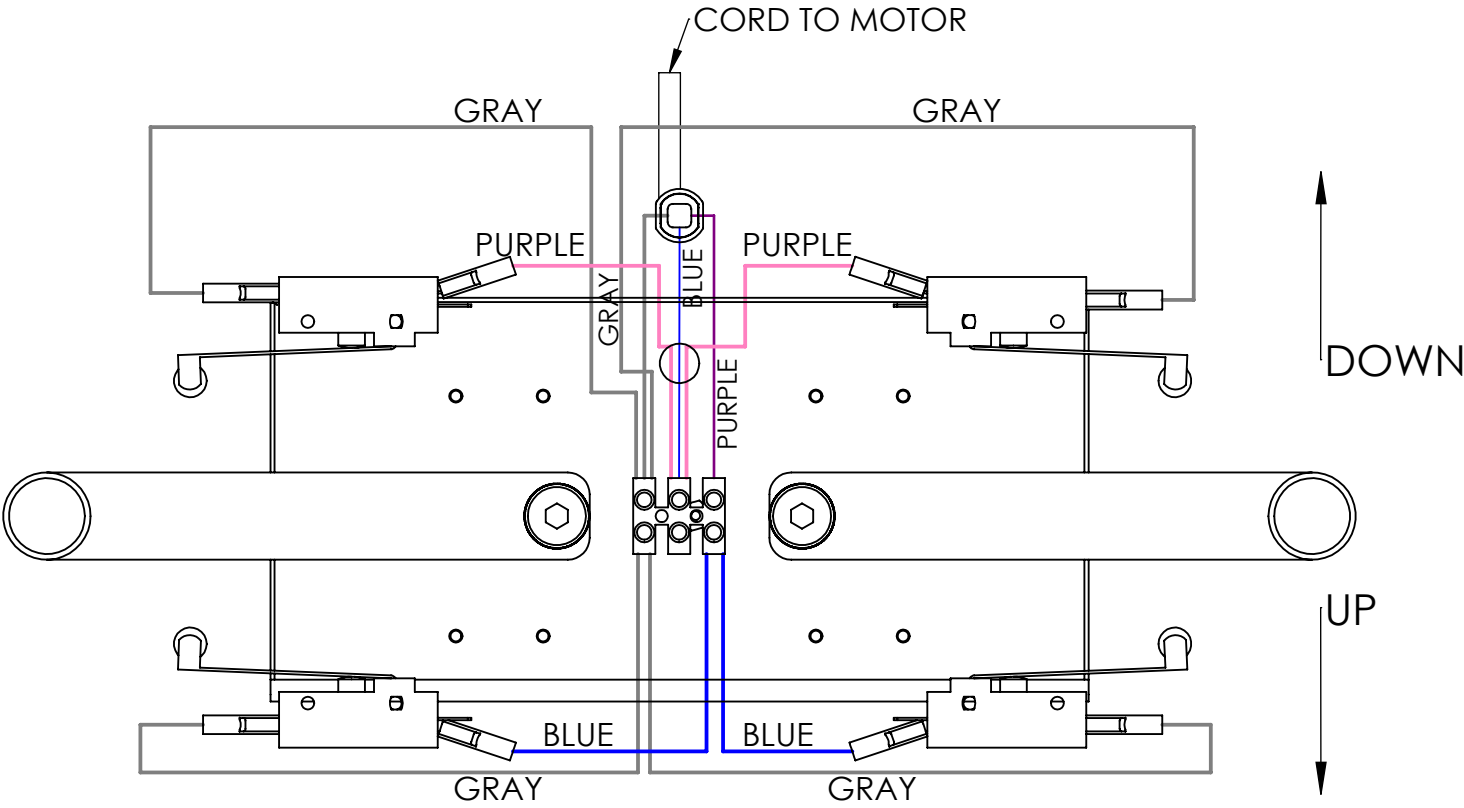
DISCONNECT THE TABLE FROM THE WALL OUTLET BEFORE REMOVING SWITCH

4. Using a 5/16" wrench remove two nuts (80) from the threaded studs and carefully remove the switch taking care not to damage the wires connected to it.
5. Remove the terminals from the switch by gently tugging on them. **DO NOT PULL WIRE.**
6. After the micro switch is disconnected, reconnect the replacement switch referring to the wire diagram found in this manual making certain the terminals are securely connected.
7. Once the wire terminals are connected to the replacement switch, make sure the plastic spacers (83) are on the threaded stud prior to reinstalling replacement switch.
8. Replace nuts (80) and tighten securely taking care not to over tighten.
9. Reconnect table to power source and test. Providing the table is operating correctly, replace cover plate reusing plastic rivets.

**SWITCH BOX
AM-BA SERIES**



WIRE DIAGRAM



**ARMEDICA™ MANUFACTURING CORP.
LIMITED WARRANTY**

ARMEDICA™ Manufacturing Corp. warrants that the AM Series treatment tables are free from defects in material and workmanship. This warranty shall remain in effect for 18 months from the date of original consumer purchase of the product. If the product fails to function during the warranty period due to a defect in material or workmanship, ARMEDICA™ Manufacturing Corp. or the selling dealer will repair or replace the table without charge within a 30 day period from the date on which the table is returned to ARMEDICA™ Manufacturing Corp. or the selling dealer.

THIS WARRANTY DOES NOT COVER


1. Replacement parts or labor furnished by anyone other than ARMEDICA™, selling dealer or approved ARMEDICA™ service agent.
2. Any failure of the table during the warranty period if the failure is not caused by a defect in material or workmanship or if the failure is caused by unreasonable use, including the failure to provide reasonable and necessary maintenance.

**ARMEDICA™ MANUFACTURING CORP. IS NOT LIABLE FOR INCIDENTAL
OR CONSEQUENTIAL DAMAGE TO PROPERTY OR BUSINESS.**

To obtain service under this warranty, please do the following:

1. A written claim should be sent to ARMEDICA™ Manufacturing Corp., P.O. Box 880, Greenwood, AR. 72936-0880 or the selling dealer.
2. The table must be returned to ARMEDICA™ Manufacturing Corp. or the selling dealer.
3. This warranty gives you specific legal rights and you may have other rights, which vary from state to state

ARMEDICA™ does not authorize any person or dealer to create for it any other obligations or liabilities in connection with the sale of the tables. Any representation or agreement not contained in this warranty shall be void.

ARMEDICA MANUFACTURING CORP.	
Greenwood, AR 72936-0880	
Model No. <input style="width: 80px;" type="text"/>	Serial No. <input style="width: 80px;" type="text"/>
<small>DANGER: Risk of explosion if used in the presence of flammable anesthetics. Duty cycle: On/Off Int. 1 min./9 min.</small>	
<small>Lifting capacity 500 lb. (226 kg.) 120 Volts 60 Hz 3.0 Amps</small>	
 <small>CLASSIFIED C UL US 2JF7 E232290</small>	<small>Medical Electrical Equipment With respect to electrical shock, Fire and mechanical hazards only In accordance with 60601-1</small>
	 <small>03445A</small>