



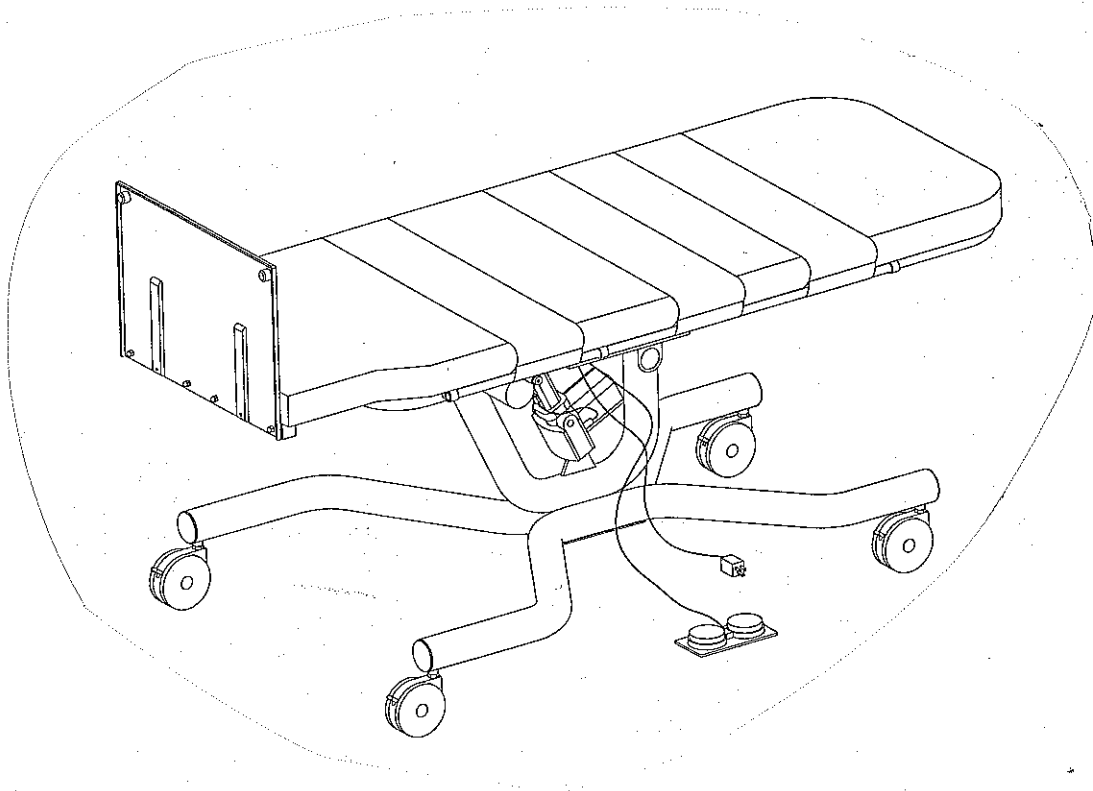
PO BOX 905  
VALLEY CITY, ND 58072  
701/845-3984

1-800-437-8011

## OPERATION AND MAINTENANCE MANUAL

MODEL TW6121WF.BB and TW6121WF.NB

### POWER LIFT



READ THIS MANUAL PRIOR TO OPERATION  
\*\*LIMITED WARRANTY REGISTRATION CARD ENCLOSED

## **NOTICE:**

---

Design changes may have occurred in the product since this manual was published. The technical information found within this manual was correct at the time this manual was approved for publication.

TRI W-G, INC. reserves the right to make changes without prior notification, in design specifications or other improvements on our products without incurring obligations to add them to any device in existence.

TRI W-G, INC. does not assume any risk or liability for attachments, or their effects on this device, if the attachments are not manufactured, sold by and expressly approved by TRI W-G, INC.

When replacement parts are required, use only those replacement parts authorized by TRI W-G, INC.

If any information contained in this publication is not understood, the user should contact TRI W-G, INC. for assistance.

## To The Owner/Operator

**DO NOT use or operate this device until this manual has been read and understood.**

## Foreword

---

This manual has been compiled to assist the owner and/or operator with the correct operation, service and routine preventive maintenance procedures of the Model TW6121WF.BB and TW6121WF.NB.

In order to get the optimum performance and efficiency that has been designed into the device, read this manual thoroughly before operating or servicing the device. Become familiar with all decals and safety messages within the manual and on the device. Keep this manual in a convenient place for easy reference when problems arise. **DO NOT** attempt to make repairs or adjustments you do not understand. If you require additional information or service, contact TRI W-G or your TRI W-G representative.

The signal words, **CAUTION**, **WARNING** or **DANGER** are used to indicate degree of hazards and to warn against unsafe practices that may cause personal injury and are used with appropriate safety instructions. These signal words are not to be ignored, you and/or your patients safety is involved.



**CAUTION:** Denotes a general reminder of good safety practices or directs attention to unsafe practices.



**WARNING:** Denotes a hazard intermediate between **DANGER** and **CAUTION**.



**DANGER:** Denotes the most serious hazard.

---

**MODEL TW6121WF.BB and TW6121WF.NB  
TABLE OF CONTENTS**

NOTICE ..... i

FOREWORD ..... ii

TABLE OF CONTENTS ..... 1

WARRANTY ..... 2

USER RESPONSIBILITY/TRACEABILITY ..... Insert

INTRODUCTION ..... 3

GENERAL DESCRIPTION ..... 3

SAFETY SUGGESTIONS ..... 4

TABLE SET-UP ..... 5

OPERATION OF TABLE ..... 5

FOOTBOARD ROTATION DIAGRAM ..... 6

SPECIFICATIONS ..... 7

SUGGESTED CLEANING PROCEDURES FOR VINYL ..... 8

SERVICE ..... 8

SERVICE PARTS BREAKDOWN ..... 9

SERVICE MAINTENANCE PROGRAM ..... 10

SERVICE MAINTENANCE LOG ..... 11

## LIMITED WARRANTY

*This Product or Part is sold by TRI W-G, INC. under the limited warranties set forth in the following paragraphs. Such warranties are extended only with respect to the Purchase of the Product or Part as new merchandise directly from TRI W-G, INC. or a TRI W-G, INC. Authorized Dealer and are extended to the ultimate customer purchaser of the TRI W-G, INC. Product or Part.*

TRI W-G, INC. warrants that each Product or Part sold hereunder shall be free of defects in material and workmanship for the Product warranty period identified as follows:

**Five Years:** structural frame and major moving components.

**365 Days:** upholstery.

*(Please note the aforementioned limited warranty is limited to original owner and not transferable.)*

in the case of Products and twelve months in the case of Parts from the date of delivery from TRI W-G, INC. or an authorized TRI W-G, INC. Dealer, whichever is later. Should defects appear in any Products subject to this limited warranty and Parts subject to this limited warranty sold hereunder within the respective limited warranty period, TRI W-G, INC. will repair or replace under the terms of this limited warranty any defective Part or Parts or provide new or remanufactured Parts when the defective Part or Parts are returned to TRI W-G, INC. facilities at Buyer's expense upon (20) days prior written notice to TRI W-G, INC. Buyer will be charged for any replacement Parts when shipped to Buyer by TRI W-G, INC. When the defective Parts are returned to TRI W-G, INC. pursuant to TRI W-G, INC. returned goods authorization, charges will be waived.

This limited warranty does not apply to any Products or Parts which have been damaged through misuse, negligence or accident (including shipping damage) on the part of Buyer or any third party. This limited warranty does not apply to any Product in which Parts other than replacement Parts or Parts approved by TRI W-G, INC. have been used if said Parts are or may be the cause of failure.

FOR ANY BREACH OF WARRANTY, EXPRESSED OR IMPLIED, THE LIABILITY OF TRI W-G, INC. IS HEREBY EXPRESSLY LIMITED, AND SUBJECT TO THE TERMS HEREIN, TO THE REPAIR OR REPLACEMENT OF ANY PRODUCT OR PART WHICH SHALL APPEAR TO BE DEFECTIVE IN THE OPINION OF TRI W-G, INC. THIS WARRANTY IS IN LIEU OF ALL OTHER WARRANTIES, EXPRESSED OR IMPLIED, INCLUDING WARRANTIES OF MERCHANTABILITY AND FITNESS FOR A PARTICULAR PURPOSE. IN NO EVENT SHALL TRI W-G, INC. BE LIABLE FOR ANY SPECIAL, INCIDENTAL OR CONSEQUENTIAL DAMAGES. NO CLAIM FOR BREACH OF WARRANTY FOR PRODUCTS OR PARTS FURNISHED HEREUNDER SHALL BE ASSERTED AGAINST TRI W-G, INC. MORE THAN TWENTY (20) DAYS AFTER THE EXPIRATION OF THE WARRANTY PERIOD.

TRI W-G, INC.  
215 12TH AVENUE NE  
VALLEY CITY, ND 58072  
1-800-437-8011  
1-701-845-3984

## INTRODUCTION

This manual has been developed to describe the operation and proper maintenance procedures for the Model TW6121WFBB and TW6121WF.NB. Please read this manual thoroughly before operating table and follow all recommended precautionary measures.

## GENERAL DESCRIPTION

The Model TW6121WF.BB and TW6121WF.NB has been designed as 90 degree tilt tables allowing patient to easily step on to a footboard for tilting from a vertical to a horizontal position providing for exam or treatment. These tables are designed with an electric actuator requiring 120 volt line current which is then converted to 24 volt DC through means of a converter. The electrical actuator then functions using 24 volt current. As an option, a factory installed converter with battery power pack (TW6121WF.BB) will allow for lowering the table top to a horizontal position during time of power outage. The battery becomes charged during normal usage. The number of cycles in which table top can be tilted without hook up to 120 volt current is limited based on age and usage of battery. These tables are designed for use by patients with Circulatory, Neurological and Musculoskeletal conditions. Features of this table are listed below:

### MODEL TW6121WF.BB (BATTERY BACKUP)

- \*Basic flat top
- \*Power lift (110 volt DC drive)  
24 volt actuator with battery backup
- \*16-1/2" x 24" footboard
- \*90 degree tilt range
- \*2" foam cushion
- \*Safety restrains
- \*350 lb. patient load

### MODEL TW6121WF.NB (NO BATTERY)

- \*Basic flat top
- \*Power lift (110 volt DC drive)  
24 volt actuator with no battery backup
- \*16-1/2" x 24" footboard
- \*90 degree tilt range
- \*2" foam cushion
- \*Safety restrains
- \*350 lb. patient load

**Whenever you see this symbol, it means Attention! Become Alert! You and/or Your Patients Safety is involved.**



**Operating instructions must be given to everyone before operating this device.**

## Essential Safety Precautions

### SAFETY SUGGESTIONS

TRI W-G can not anticipate every possible circumstance that might involve potential hazard. The warnings, cautions and safety suggestions in this manual are therefore not inclusive. If an operating procedure, device, maintenance or work method not specifically recommended by TRI W-G is used, you must satisfy yourself that it is safe for you and others. You must also ensure that the product will not be damaged or made unsafe by the procedures you choose.



**CAUTION:** Denotes a general reminder of good safety practices or directs attention to unsafe practices.



**WARNING:** Denotes a hazard intermediate between **DANGER** and **CAUTION**.



**DANGER:** Denotes the most serious hazard.

Become familiar with the controls and their individual responses before operating table.

Become familiar with the following safety statements since they will be found throughout this manual.



**CAUTION:** To avoid personal injury, lock caster prior to use.



**CAUTION:** To avoid damage to electrical equipment, use proper power source.



**WARNING:** To avoid personal injury, assure patient is properly secured with restraining straps.



**CAUTION:** Be sure patient has a good grip on the table frame hand hold when lower/raising table and that patient's feet are firmly located on the footboard. Instruct patient to lean in to table when lower/raising table. Instruct patient not to dismount until table has come to complete stop.



**WARNING:** Do not attempt to service any electrical components. Let only a qualified technician do any electrical repair work.

## TABLE SET-UP

- 1) Remove table from shipping crate. Inspect for any concealed damage that may have occurred during shipment. To assure cushions do not become damaged while moving table through door ways, keep cardboard packing liner on top of cushions.
- 2) Footboard is rotated in downward position for shipment. Footboard must be rotated in upward position before operating (refer to page 6 for instructions).
- 3) Visually check to assure all fasteners are in place and secure.

## OPERATION OF TABLE

- 1) After table is properly located, lock both wheels by depressing locking mechanism with sole of foot.



**CAUTION:** To avoid personal injury, lock casters prior to use.

- 2) (120 V, 60 Hz power supply required) Ensure proper power supply and then plug power cord into a (three-prong) grounded hospital grade receptacle.



**CAUTION:** To avoid damage to electrical equipment, use proper power source.



**WARNING:** Do not attempt to service any electrical components. Let only a qualified technician do any electrical repair work.

- 3) To raise table when table top is in the horizontal position:

- 1) To move the table top from the horizontal position to the vertical position, depress the UP button on the air foot control.
- 2) To move the table top from the vertical position to the horizontal position, depress the DOWN button on the air foot control. The air control switch is of a momentary design in that the table top will only tilt when switch is depressed.

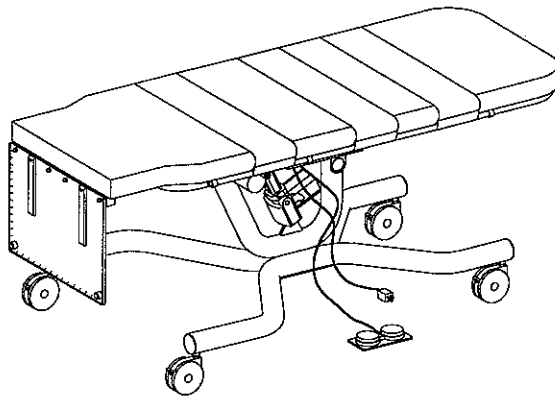


**CAUTION:** Be sure patient has a good grip on the table frame hand hold when lowering/raising table and that patient's feet are firmly located on the footboard. Instruct patient to lean into table when lowering/raising table. Instruct patient not to dismount until table has come to complete stop.

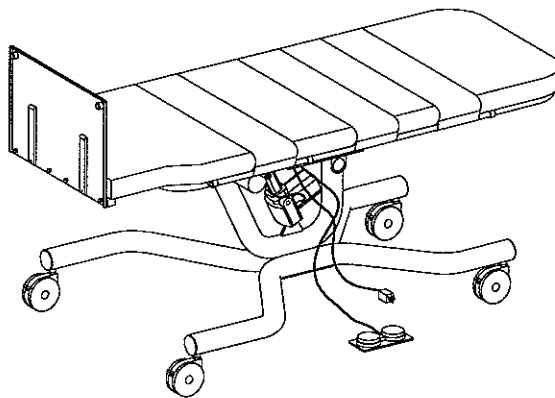


**WARNING:** To avoid personal injury, assure patient is properly secured with restraining straps.

**ATTENTION:** A mechanical noise at the start of operation is normal..



**FOOTBOARD IS ROTATED IN THE DOWNWARD POSITION FOR SHIPMENT**



**FOOTBOARD MUST BE ROTATED IN THE UPWARD POSITION BEFORE OPERATING THE TABLE.  
RE-INSTALL THE SIX BOLTS AND TIGHTEN SECURELY.**

# SPECIFICATIONS

## TILT EXAM/TREATMENT TABLE TW6121WF.BB and TW6121WF.NB (STANDARD MODEL)

---

**LENGTH:**

78"

**WIDTH:**

28"

**HEIGHT:**

33"

**TILT RANGE:**

0 to 90 degrees

**FRAME:**

Lower frame (electric weld mechanical, round tube).....3" x 11 GA  
Upper frame .....1-1/2" x 11 GA

**CASTERS:**

5" casters with brake.

**TABLE TOP MATERIAL:**

2" foam cushion over non-translucent sub-structure and steel frame.

**BELTS, RESTRAINING:**

2 complete 4" hook/loop belts

**TABLE, COVER AND PAD:**

**FIRE RETARDANT\*\*** Vinyl cover over 2 inch polyfoam (or equivalent) pad. Many colors available. Easily cleanable with soap and water. Complies with California Bulletin 117.

**FINISH:**

Polyurethane platinum standard. Polyurethane parchment also available. Special colors available upon request.

**ELECTRICAL:**

Tilt: 24 volt DC electro-mechanical drive powered by converter requiring 120 volt, single phase, 60 Hz current, equipped with 3 conductor hospital grade plug.

**WARRANTY:**

See limited warranty statement on page 2.

**TABLE LOAD:**

Maximum static uniform load.....350 lbs.

**WEIGHT:**

Table.....275 lbs.  
Table shipping weight.....350 lbs.

\*Nominal adjustments stated.

\*\*Flammability requirements for materials are those of the manufacturer and not that of Tri W-G, Inc. This term and any corresponding data refer to typical performance in manufacturer's tests and should not be construed to imply the behavior of this or any other material under other fire conditions.

Every effort has been made to use accurate photography, drawings, product specifications and descriptions at the time of printing. However, because of continuous, progressive product improvement, all specifications and descriptions are subject to change without prior notice.

## **SUGGESTED CLEANING PROCEDURES FOR VINYL**

- 1) **ORDINARY DIRT** - Ordinary dirt can be removed by washing with warm water and a mild soap. Apply soapy water to a large area and allow to soak for a few minutes. Brisk rubbing with a cloth should then remove most dirt. The procedure may be repeated in case of stubborn or imbedded dirt. A soft bristle brush may be used after the soap has been applied.

### **SERVICE**

Any questions regarding operating or maintenance of table should be directed to the service department of TRI W-G, INC.

### **MAIL**

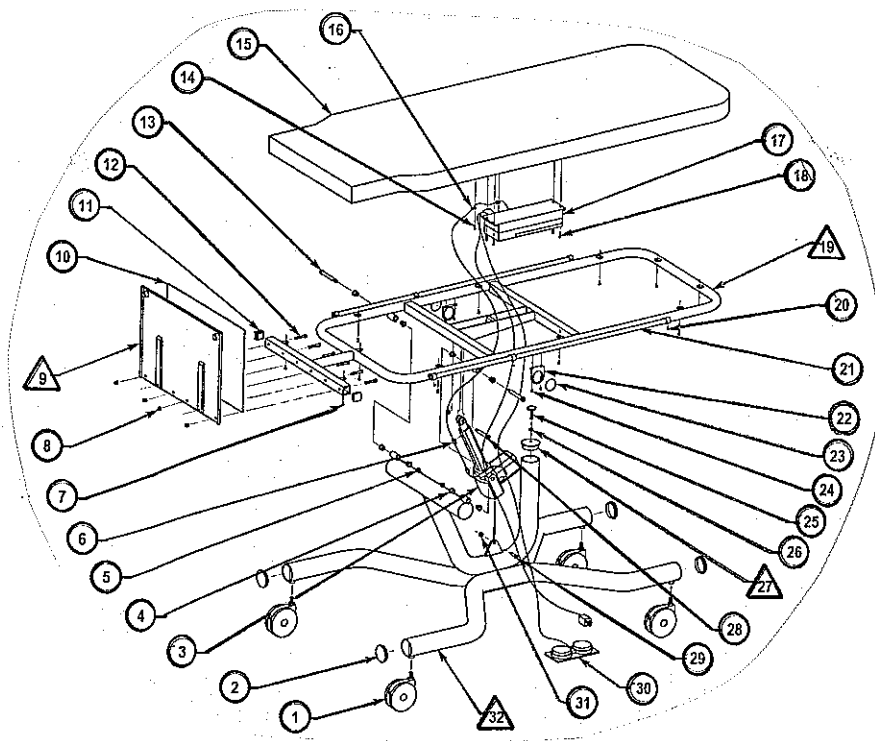
TRI W-G, INC.  
215 12th Avenue NE  
PO Box 905  
Valley City, ND 58072-0905

### **TELEPHONE**

In all states, except North Dakota  
1-800-437-8011

In North Dakota  
1-701-845-3984

## SERVICE PARTS LIST



<u>ITEM NO.</u>	<u>PART NUMBER</u>	<u>DESCRIPTION</u>	<u>QTY.</u>
1	903-001-049	Casters with brakes	4
2	907-005-077	Plastic endcap	4
3	900-010-048	Magnetic matrix DC actuator	1
4	907-003-012	Plastic bushing	8
5	905-044-004	Nylock nut	2
6	900-011-003	Self closing clip	2
7	905-069-011	Pan head phillips tapping screw	11
8	905-049-002	Acorn nut - zinc	4
9	612-039-000	Footboard weldment	1
10	612-040-000	Footboard mat	1
11	907-005-076	Square black plastic end cap	2
12	905-001-020	Hex head cap screw	6
13	905-020-019	Socket shoulder screw	2
14	905-069-003	Round head phillips tapping screw	2
15	612-041-000	Cushion	1
16	900-012-016	Loop clamp - black	2
17	900-010-053	Power supply with battery (TW6121WF.BB)	1
17	900-010-055	Power supply without battery (TW6121WF.NB)	1
18	905-069-002	Round head phillips tapping screw	4
19	612-036-000	Top frame weldment	1
20	905-019-001	Socket set screw	6
21	612-015-000	Restrainer bar	2
22	129-017-000	Inclinometer bracket	2
23	917-000-143	Inclinometer	2
24	905-074-004	Button head socket screw	4
25	903-003-002	Adjustable stop	1
26	905-052-009	Hex jam nut	1
27	621-012-000	Adj. horizontal cap weldment	1
28	905-091-004	Socket shoulder screw	1
29	905-091-003	Socket shoulder screw	1
30	900-005-048	Foot control	1
31	905-092-002	Nylock nut	2
32	612-037-000	Base frame weldment	1

## SERVICE MAINTENANCE PROGRAM

This device has been designed and built to provide many years of reliable service. To keep this device in good operating condition, a service maintenance program should be established to assure continued trouble-free service.

The below items should be included in the service maintenance program. A check list has been provided at the back of this manual to provide an area to document the date of inspection and comments.

- 1) Assure motor/actuator mount bolts are secure. NOTE: the pivot bolts are provided with a lock nut to provide movement of the actuator during operation.
- 2) Assure all other bolts and screws are tight.
- 3) Assure power cord does not show signs of wear or damage.
- 4) Visually inspect device while operating to assure it is functioning as it should.
- 5) Assure hand and/or foot control is functioning as it should.
- 6) Inspect restraining belt loop portion of the velcro strap to assure that it has not become weakened due to wear or breakage.

**REPAIR OR REPLACE ANY ITEM THAT APPEARS WORN OR UNSAFE!!**

