



Leaders in Reception Seating

Lesro Industries, Inc.  
1 Griffin Road South  
Bloomfield, CT  
06002

Phone 860.243.3226  
Fax 860.243.5392  
www.lesro.com

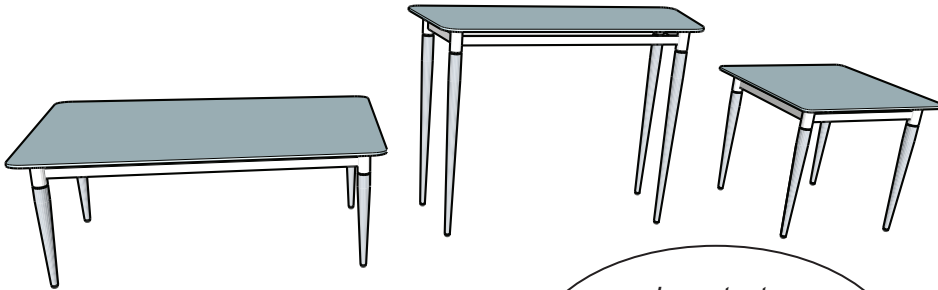
# Assembly Instructions For Siena & Ravenna Glass Tables

**Tools required:** None

**Note:** These instructions are intended for various models and configurations. Your tables may not look exactly as shown in the diagrams.

**Recommendation:** Retighten the legs on a seasonal basis to ensure your table remains strong and stable for many years of use.

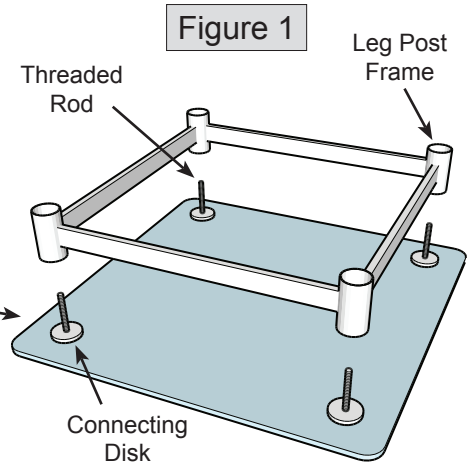
**Weight Capacity:** These tables are not intended for use as seats.



### Parts List

Tabletop  
Leg Post Frame  
Legs, 4 pcs.  
Threaded Rods, 4 pcs.

*Important:  
Remove plastic washer on  
each disk before assembly.  
These are for shipping  
protection only*



1. Unpack and identify all parts.
2. Place tabletop on a soft, clean surface with silver connecting disks facing up.
3. Screw a threaded rod all the way into each connecting disk, as shown in figure 1. Hand tighten only. No need to use tools.
4. Place leg post frame over the threaded rods. Note there is a washer inside each corner tube. These washers must face up when placing the frame on the glass, as shown in figure 2.
5. Screw legs onto threaded rods, as shown in figure 3. Tighten securely by hand only. Note that after fully tightening there should be a decorative gap between the leg shoulder and the leg post frame, as shown in figure 4. If these parts are flush without a decorative gap, then the leg post frame is upside down and needs to be reversed.
6. Carefully return table to upright position. It is now assembled and ready to use.

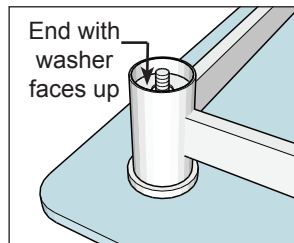


Figure 2

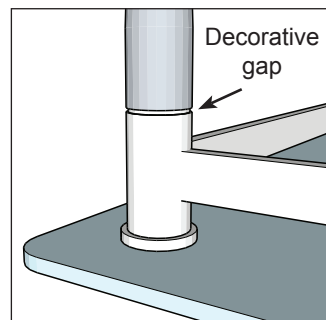
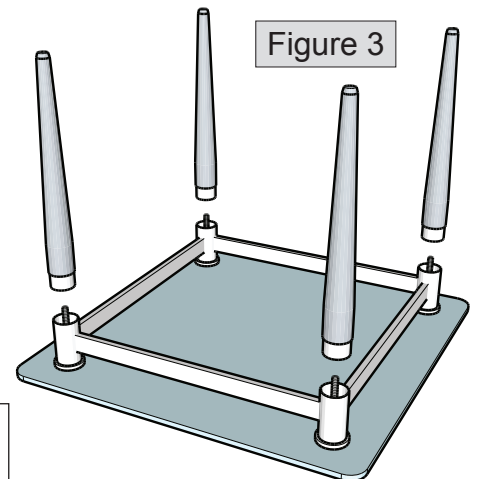


Figure 4

Thank you for purchasing a Lesro product.  
Need assistance with assembly? Call Lesro customer service 1-800-275-7545.  
Visit us on-line at [www.lesro.com](http://www.lesro.com)