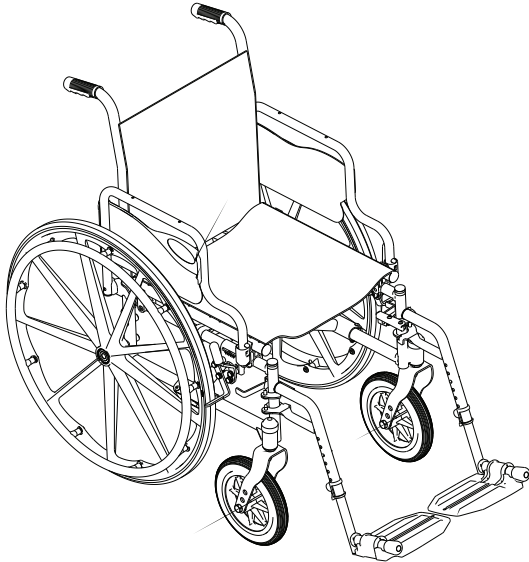


Invacare[®] *Tracer*[®] SX5 Wheelchair



User Manual

EN

*This manual MUST be given to the user of the product.
BEFORE using this product, read this manual and save for future reference.*



Yes, you can.[®]

© 2011 Invacare Corporation. All rights reserved. Republication, duplication or modification in whole or in part is prohibited without prior written permission from Invacare. Trademarks are identified by ™ and ®. All trademarks are owned by or licensed to Invacare Corporation or its subsidiaries unless otherwise noted.

Teflon is a registered trademark of DuPont.

1 GENERAL 6

 Warnings..... 6

 Limited Warranty 7

2 SAFETY 8

 General Guidelines 8

 Operating Information 9

 Safety/Handling of Wheelchairs..... 16

3 OVERVIEW 25

 Label Locations..... 25

 Component Identification 26

 Typical Product Parameters 27

4 SAFETY INSPECTION/TROUBLESHOOTING 29

 Safety Inspection Checklist..... 29

 Troubleshooting..... 32

 Maintenance 32

5 FRONT RIGGINGS 35

 Installing/Removing Front Riggings..... 35

 Adjusting Footplate Height..... 36

 Raising/Lowering Elevating Legrest Assembly 37

 Replacing Heel Loop 38

6 ARMS 39

 Using or Replacing Flip-Back Armrest 39

 Adjusting Armrest Height..... 41

CONTENTS

7 SEAT AND BACK	42
Installing the Back Canes.....	42
Replacing Back Upholstery	43
Replacing Seat Upholstery	43
Adjusting Seat Depth	44
Adjusting the Seat Width	45
8 REAR WHEELS	49
Removing/Installing Rear Wheels.....	49
Replacing Rear Wheel Handrim	50
9 FRONT CASTERS	51
Installing/Replacing Six/Eight Inch Front Casters/Forks	51
Adjusting Forks.....	52
Replacing Front Casters	52
10 ANTI-TIPPERS/WHEEL LOCKS	54
Installing/Adjusting Anti-Tippers.....	54
Using/Adjusting Patient Operated Wheel Locks.....	57
11 SEAT TO FLOOR	60
Changing Seat-to-Floor Height	60

12 RECLINER64

Recliner Operation 64

Replacing the Headrest Pillow 66

Replacing the Headrest/Back Upholstery..... 67

Removing/Installing the Spreader Bar 69

Removing and Installing Fixed Height Armrest 70

Removing/Installing the Rear Wheels..... 71

Using/adjusting the Clamp-On Wheel Locks 72

13 OPTIONS74

Installing Amputee Bracket..... 74

Installing Crutch and Cane Carrier..... 76

Installing the Seat Positioning Strap 77

Installing the Wheel Lock Extension Handle..... 78

I General

I.1 Warnings

Signal words are used in this manual and apply to hazards or unsafe practices which could result in personal injury or property damage. See the information below for definitions of the signal words.



DANGER

Danger indicates an imminently hazardous situation which, if not avoided, will result in death or serious injury.



WARNING

Warning indicates a potentially hazardous situation which, if not avoided, could result in death or serious injury.



CAUTION

Caution indicates a potentially hazardous situation which, if not avoided, may result in property damage or minor injury or both.



IMPORTANT

Indicates a hazardous situation that could result in damage to property if it is not avoided.



Gives useful tips, recommendations and information for efficient, trouble-free use.

1.2 Limited Warranty

PLEASE NOTE: THE WARRANTY BELOW HAS BEEN DRAFTED TO COMPLY WITH FEDERAL LAW APPLICABLE TO PRODUCTS MANUFACTURED AFTER JULY 4, 1975.

This warranty is extended only to the original purchaser who purchases this product when new and unused from Invacare or a dealer. This warranty is not extended to any other person or entity and is not transferable or assignable to any subsequent purchaser or owner. Coverage under this warranty will end upon any such subsequent sale or other transfer of title to any other person.

This warranty gives you specific legal rights and you may also have other legal rights which vary from state to state. Invacare warrants the side frames and cross members of this product when purchased new and unused to be free from defects in materials and workmanship for a period of five (5) years from the date of purchase from Invacare or a dealer, with a copy of the seller's invoice required for coverage under this warranty. Invacare warrants the upholstered materials (seat, back and armrests of the arm assembly) and remaining components of this product when purchased new and unused to be free from defects in materials and workmanship for a period of thirteen (13) months from date of purchase from Invacare or a dealer, with a copy of the seller's invoice required for coverage under this warranty. If within such warranty periods any such product shall be proven to be defective, such product shall be repaired or replaced, at Invacare's option. This warranty does not include any labor or shipping charges incurred in replacement part installation or repair of any such product. Invacare's sole obligation and your exclusive remedy under this warranty shall be limited to such repair and/or replacement.

For warranty service, please contact the dealer from whom you purchased your Invacare product. In the event you do not receive satisfactory warranty service, please write directly to Invacare at the address at the bottom of this page. Provide dealer's name, address, the product model number, date of purchase, indicate nature of the defect and, if the product is serialized, indicate the serial number. Do not return products to our factory without our prior consent.

Limitations and Exclusions: The foregoing warranty shall not apply to serial numbered products if the serial number has been removed or defaced, products subjected to negligence, accident, improper operation, maintenance or storage, products modified without Invacare's express written consent including, but not limited to, modification through the use of unauthorized parts or attachments; products damaged by reason of repairs made to any component without the specific consent of Invacare, or to a product damaged by circumstances beyond Invacare's control, and such evaluation will be solely determined by Invacare. The warranty shall not apply to normal wear and tear or failure to adhere to the product instructions.

THE FOREGOING EXPRESS WARRANTY IS EXCLUSIVE AND IN LIEU OF ANY OTHER WARRANTIES WHATSOEVER, WHETHER EXPRESS OR IMPLIED, INCLUDING THE IMPLIED WARRANTIES OF MERCHANTABILITY AND FITNESS FOR A PARTICULAR PURPOSE, AND THE SOLE REMEDY FOR VIOLATIONS OF ANY WARRANTY WHATSOEVER, SHALL BE LIMITED TO REPAIR OR REPLACEMENT OF THE DEFECTIVE PRODUCT PURSUANT TO THE TERMS CONTAINED HEREIN. THE APPLICATION OF ANY IMPLIED WARRANTY WHATSOEVER SHALL NOT EXTEND BEYOND THE DURATION OF THE EXPRESS WARRANTY PROVIDED HEREIN. INVACARE SHALL NOT BE LIABLE FOR ANY CONSEQUENTIAL OR INCIDENTAL DAMAGES WHATSOEVER. SOME STATES DO NOT ALLOW THE EXCLUSION OR LIMITATION OF INCIDENTAL OR CONSEQUENTIAL DAMAGE, OR LIMITATION OF HOW LONG AN IMPLIED WARRANTY LASTS, SO THE ABOVE EXCLUSION AND LIMITATION MAY NOT BE APPLICABLE. THIS WARRANTY SHALL BE EXTENDED TO COMPLY WITH STATE/PROVINCIAL LAWS AND REQUIREMENTS.

2 Safety

The safety section contains important information for the safe operation and use of this product.

2.1 General Guidelines



WARNING

DO NOT use this product or any available optional equipment without first completely reading and understanding these instructions and any additional instructional material such as owner's manuals, service manuals or instruction sheets supplied with this product or optional equipment. If you are unable to understand the warnings, cautions or instructions, contact a healthcare professional, dealer or technical personnel before attempting to use this equipment - otherwise, injury or damage may occur.

A qualified technician MUST perform the initial set up of this wheelchair. also, a qualified technician MUST perform all procedures specifically indicated in the manual.



ACCESSORIES WARNINGS

Invacare products are specifically designed and manufactured for use in conjunction with Invacare accessories. Accessories designed by other manufacturers have not been tested by Invacare and are not recommended for use with Invacare products.



NOTICE

THE INFORMATION CONTAINED IN THIS DOCUMENT IS SUBJECT TO CHANGE WITHOUT NOTICE.

Check all parts for shipping damage and test before using. In case of damage, DO NOT use. Contact Invacare/Carrier for further instruction.

2.1 Operating Information

Anti-Tippers



WARNING

Anti-tippers are specific to the different seat-to-floor angles and/or seat-to-floor heights. Refer to the charts in [Installing/Adjusting Anti-Tippers](#) on page 54 for correct usage and adjustment. If these requirements cannot be achieved, **DO NOT** use the wheelchair. Contact a qualified technician. If changing the seat-to-floor height with or without a change to seat-to-floor angle, the correct anti-tippers must be used to maintain a 1 1/2 to 2-inch ground clearance.

Anti-tippers must be attached at all times. Inasmuch as the anti-tippers are an option on this wheelchair (you may order with or without the anti-tippers), Invacare strongly recommends ordering the anti-tippers as a safeguard for the wheelchair user.

ALWAYS use anti-tippers. When outdoors on wet, soft ground or on gravel surfaces, anti tippers may not provide the same level of protection against tipover. Extra caution must be observed when traversing such surfaces.

2 SAFETY

General Warnings



WARNING

To determine and establish your particular safety limits, practice bending, reaching and transferring activities in several combinations in the presence of a qualified healthcare professional before attempting active use of the wheelchair.

Avoid storing or using the wheelchair near open flame or combustible products. Serious injury or damage to property may result.

DO NOT stand on the frame of the wheelchair.

DO NOT use the footplate as a platform. When getting in or out of the wheelchair, make sure that the footplates are in the upward position.

ALWAYS use the handrims for self-propulsion. Inasmuch as the handrims are an option on this wheelchair (you may order with or without the handrims), Invacare strongly recommends ordering the handrims as an additional safeguard for the wheelchair user.

DO NOT operate on roads, streets or highways.

DO NOT allow children to play on or operate the wheelchair.

DO NOT operate on soft surfaces such as sand, grass, or gravel.

Hand Grips



WARNING

ALWAYS check hand grips for looseness before using the wheelchair. If loose and/or worn, replace IMMEDIATELY. When cleaning rear cane or hand grip areas use only a clean towel lightly dampened with cool water. Verify that grips are dry prior to use. Use of soap or ammonia based cleaning solutions will result in the hand grips sliding off the cane assembly. Failure to observe this warning may result in injury to the user or bystanders. If the wheelchair is exposed to extreme temperature (above 100°F or below 32°F), high humidity and/or becomes wet, prior to use, ensure that the handgrips DO NOT twist on the handle. Otherwise, damage or injury may occur.

Information for Healthcare Professionals/Assistants



WARNING

The Tracer SX Recliner wheelchair MUST be operated by a healthcare professional/assistant when in any reclined position. Make sure the patient is properly positioned in the wheelchair before reclining or inclining (reverse recline) to maintain maximum stability and safety. Assistants MUST be prepared to support the weight of the occupant when reclining, or returning the occupant of the wheelchair to the full upright position. Make sure to use proper body mechanics (use your legs) or seek assistance if necessary to avoid injury. ALWAYS engage both wheel locks while reclining or inclining (reverse recline) the wheelchair.

Lifting



WARNING

DO NOT attempt to lift the wheelchair by any removable (detachable) parts. Lifting by means of any removable (detachable) parts of the wheelchair may result in injury to the user or damage to the wheelchair.

2 SAFETY

Ramps, Slopes, Inclines, and Obstacles



WARNING

DO NOT traverse, climb or go down ramps or slopes greater than 9°.

DO NOT attempt to move up or down an incline with a water, ice or oil film.

DO NOT attempt to ride over curbs or obstacles. Doing so may cause your wheelchair to tip over and cause bodily harm to you or damage to the wheelchair.

NEVER leave an unoccupied wheelchair on an incline.

DO NOT attempt to stop the wheelchair while on a sloped surface.

Repair and Service Information



WARNING

Unless otherwise noted, all service and adjustment should be performed while the wheelchair is unoccupied.

After ANY adjustments, repair or service and BEFORE use, make sure all attaching hardware is tightened securely - otherwise injury or damage may result.

Seat Positioning Straps



WARNING

ALWAYS wear your seat positioning strap. Inasmuch as the seat positioning strap is an option on this wheelchair (you may order with or without the seat positioning strap), Invacare strongly recommends ordering the seat positioning strap as an additional safeguard for the wheelchair user. The seat positioning strap is a positioning strap only. It is not designed for use as a safety device withstanding high stress loads such as auto or aircraft safety belts. If signs of wear appear, strap MUST be replaced IMMEDIATELY.

With regards to seat/chest positioning straps - it is the obligation of the DME dealer, therapists and other healthcare professionals to determine if a seat/chest positioning strap is required to ensure the safe operation of this equipment by the user. Serious injury can occur in the event of a fall from a wheelchair.

Stability - All Models

**WARNING**

The seat depth, size/position of the front casters, size/position of the rear wheels, use of anti-tipper model, as well as the user condition directly relate to the stability of the wheelchair. Any change to one or any combination of the seven may cause the wheelchair to decrease in stability. These adjustments **MUST** be performed by a qualified technician.

The various seat-to-floor heights require specific settings depending on rear wheel size, rear wheel position, front caster size/position and desired seat-to-floor angle. These adjustments **MUST** be performed by a qualified technician.

<i>NOTE: When changes to the left hand column occur, follow across the chart and refer to the procedure that is checked (✓) to maintain the proper stability, safety and handling of the wheelchair.</i>	SEAT DEPTH	CASTER SIZE	CASTER POSITION	WHEEL SIZE	WHEEL POSITION	ANTI-TIPPERS	USER CONDITION
SEAT DEPTH	•	✓	✓	✓	✓	✓	✓
CASTER SIZE	✓	•	✓	✓	✓	✓	✓
CASTER POSITION	✓	✓	•	✓	✓	✓	✓
WHEEL SIZE	✓	✓	✓	•	✓	✓	✓
WHEEL POSITION	✓	✓	✓	✓	•	✓	✓
ANTI-TIPPERS	✓	✓	✓	✓	✓	•	✓
USER CONDITION	✓	✓	✓	✓	✓	✓	•

2 SAFETY

Tire Pressure



WARNING

DO NOT use your wheelchair unless it has the proper tire pressure (p.s.i.). DO NOT overinflate the tires. Failure to follow these suggestions may cause the tire to explode and cause bodily harm. The recommended tire pressure is listed on the side wall of the tire.

Weight Limitation



WARNING

The Tracer SX5 and Tracer SX5 Recliner wheelchairs have the following weight limitations:
For chairs with a seat width of 14 to 18-inches, the weight limitation is 250 lbs (114 kg).
For chairs with a seat width of 20 to 22-inches, the weight limitation is 300 lbs (136 kg).

Weight Training



WARNING

Invacare does not recommend the use of its wheelchairs as a weight training apparatus. Invacare wheelchairs have not been designed or tested as a seat for any kind of weight training. If occupant uses said wheelchair as a weight training apparatus, Invacare shall not be liable for bodily injury or damage to the wheelchair and the warranty is void.

Wheel Locks



WARNING

DO NOT attempt to stop a moving wheelchair with wheel locks. Wheel locks are not brakes.

If the wheelchair is equipped with push to lock wheel locks, elevating legrests, and wheel lock extension handles, the wheel lock extension handles **MUST** be removed before swinging the elevating legrests to the side, otherwise injury or damage may result. Interference between the top of the elevating legrest and the wheel lock extension handle causes the wheel lock to disengage.

Engaging the wheel locks may not prevent the wheelchair from moving on all floor surfaces including those that may be wet or slick. **ALWAYS** exercise caution when transferring into or out of the wheelchair.

Wheelchair Tie Down Restraints



WARNING

Wheelchair users should **NOT** be transported in vehicles of any kind while in wheelchairs. As of this date, the Department of Transportation has not approved any tie-down systems for transportation of a user while in a wheelchair, in a moving vehicle of any type.

It is Invacare's position that users of wheelchairs should be transferred into appropriate seating in vehicles for transportation and use be made of the restraints made available by the auto industry. Invacare cannot and does not recommend any wheelchair transportation systems.

Wheelchair User



WARNING

As a manufacturer of wheelchairs, Invacare endeavors to supply a wide variety of wheelchairs to meet many needs of the end user. However, final selection of the type of wheelchair to be used by an individual rests solely with the user and his/her healthcare professional capable of making such a selection.

2 SAFETY

2.2 Safety/Handling of Wheelchairs

Safety and handling of the wheelchair require the close attention of the wheelchair user as well as the assistant. This manual points out the most common procedures and techniques involved in the safe operation and maintenance of the wheelchair. It is important to practice and master these safe techniques until you are comfortable in maneuvering around the frequently encountered architectural barriers.

Use this information only as a basic guide. The techniques that are discussed on the following pages have been used successfully by many.

Individual wheelchair users often develop skills to deal with daily living activities that may differ from those described in this manual. Invacare recognizes and encourages each individual to try what works best for him/her in overcoming architectural obstacles that they may encounter. However, all warnings and cautions given in this manual **MUST** be heeded. Techniques in this manual are a starting point for the new wheelchair user and assistant with “safety” as the most important consideration for all.

Stability and Balance



WARNING

Be aware that carrying heavy objects on your lap while occupying the wheelchair may adversely affect the stability of the wheelchair, resulting in serious bodily injury to the user, damage to the wheelchair and surrounding property.

This wheelchair has been designed to accommodate one individual. If more than one individual occupies the wheelchair this may adversely affect the stability of the wheelchair, resulting in serious bodily injury to the user and passenger and damage to the wheelchair and surrounding property.

To assure stability and proper operation of your wheelchair, you **MUST** maintain proper balance at all times. Your wheelchair has been designed to remain upright and stable during normal daily activities as long as you **DO NOT** move beyond the center of gravity.

Virtually all activities which involve movement in the wheelchair have an effect on the center of gravity. Invacare recommends using seat/chest positioning straps for additional safety while involved in activities that shift your weight.

DO NOT lean forward out of the wheelchair any further than the length of the armrests. Make sure the casters are pointing in the forward position whenever you lean forward. This can be achieved by advancing the wheelchair and then reversing it in a straight line.

Many activities require the wheelchair owner to reach, bend and transfer in and out of the wheelchair. These movements will cause a change to the normal balance, the center of gravity, and the weight distribution of the wheelchair.

To determine and establish your particular safety limits, practice bending, reaching and transferring activities in several combinations in the presence of a qualified healthcare professional before attempting active use of the wheelchair.

Proper positioning is essential for your safety. When reaching, leaning, or bending forward, it is important to use the front casters as a tool to maintain stability and balance.

Reaching, Leaning and Bending



WARNING

DO NOT shift your weight or sitting position toward direction you are reaching as the wheelchair may tip over.
 DO NOT attempt to reach objects if you have pick them up from the floor by reaching down between your knees.
 DO NOT lean over the top of the back upholstery to reach objects behind you, as this may cause the wheelchair to tip over.

Forward

Position the front casters so that they are extended as far forward as possible and engage wheel locks.

Backwards

Position wheelchair as close as possible to the desired object. Point front casters forward to create the longest possible wheelbase. Reach back only as far as your arm will extend without changing your sitting position.

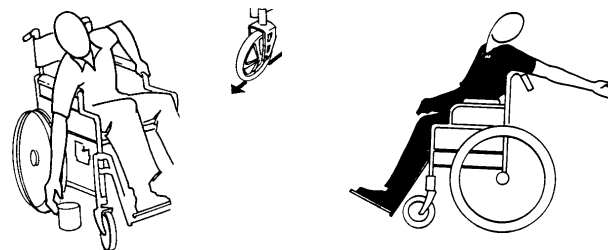


FIGURE 1 Reaching, Leaning and Bending - Forward/Backwards

Coping With Everyday Obstacles

Coping with the irritation of everyday obstacles can be alleviated somewhat by learning how to manage your wheelchair. Keep in mind your center of gravity to maintain stability and balance.

2 SAFETY

Tipping



WARNING

DO NOT tip the wheelchair without assistance.

When lowering the front casters of the wheelchair, Do not let the wheelchair drop the last few inches to the ground. This could result in injury to the occupant and/or damage to the wheelchair.

When tipping the wheelchair, an assistant should grasp the back of the wheelchair on a non-removable (non-detachable) part. Inform the wheelchair occupant before tipping the wheelchair and remind him/her to lean back. Be sure the occupant's feet and hands are clear of all wheels and/or pinch points.

After mastering the techniques of tipping the wheelchair, use one of the following methods to tackle curbs, short stairs, etc.

Method I - Wheelchair With Step Tubes

Place foot on the step tube and begin to tilt the wheelchair toward you. Apply a continuous downward motion until the balance point is achieved and the front casters clear the curb. At this point, the assistant will feel a difference in the weight distribution.

Roll the wheelchair forward and slowly lower the front of the wheelchair in one continuous movement onto the sidewalk. Push the wheelchair forward until the rear wheels roll up and over the curb.

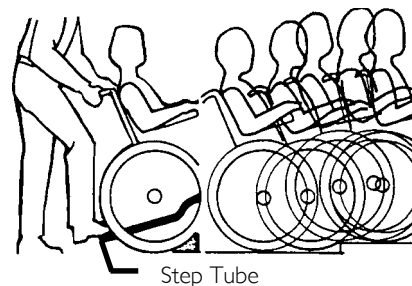


FIGURE 2 Method I - Wheelchair With Step Tubes

Method 2 - Wheelchair Without Step Tubes

This method requires two assistants. The second assistant should be positioned at the front of the wheelchair lifting upward on a non-removable (non-detachable) part of the wheelchair frame when lifting the wheelchair and stabilizing the wheelchair when the wheelchair is being lowered to the ground.

The first assistant should stand on the sidewalk and turn the wheelchair so that the rear wheels are against the curb. Turn the anti-tippers so the anti-tip wheels are pointing up. The wheelchair should be tilted back to the balance point and, in one continuous upward movement, the rear wheels should be pulled up and over the curb. **DO NOT** return the front casters to the ground until the wheelchair has been pulled backward far enough for the front casters to clear the edge of the curb.

Roll the wheelchair backward and slowly lower the wheelchair in one continuous movement. Turn the anti-tippers so the anti-tip wheels are facing down.

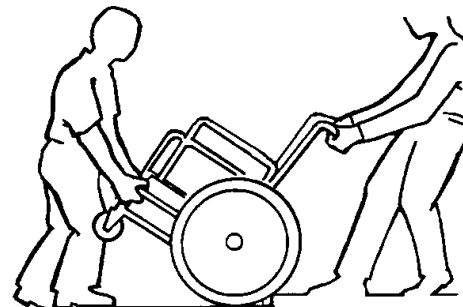


FIGURE 3 Method 2 - Wheelchair Without Step Tubes

Stairways



WARNING

Extreme caution is advised when it is necessary to move an occupied or unoccupied wheelchair up or down the stairs. Invacare recommends that, if possible, the user be removed from the wheelchair prior to moving. Invacare recommends using two assistants and making thorough preparations. Make sure to use only secure, non-detachable parts for hand-held supports.

Follow this procedure for moving the wheelchair between floors when an elevator is not available:

2 SAFETY

Moving Up Stairs

1. If necessary, rotate the anti-tippers so the wheels are facing up.
2. One assistant (positioned behind the wheelchair), securely grasps a non-removable (non-detachable) part of the wheelchair for leverage and tilts the wheelchair back to the balance point.
3. After the wheelchair has been tilted back to the balance point, the assistant behind the wheelchair backs the wheelchair up against the first step.
4. The second assistant (positioned in the front of the wheelchair), with a firm hold on a non-detachable part of the framework, lifts the wheelchair up and on to the next stair above and steadies the wheelchair as the assistant behind the wheelchair places one foot on the next stair above and repeats process.
5. The wheelchair should not be lowered until the last stair has been negotiated and the wheelchair has been rolled away from the stairway.
6. If necessary, rotate the anti-tippers so the wheels are facing down.

Moving Down Stairs

1. If necessary, rotate the anti-tippers so the wheels are facing up.
2. One assistant (positioned behind the wheelchair), securely grasps a non-removable (non-detachable) part of the wheelchair for leverage and tilts the wheelchair back to the balance point.
3. After the wheelchair has been tilted back to the balance point, the assistant behind the wheelchair rolls the wheelchair up to the edge of the first step.
4. The second assistant (positioned in the front of the wheelchair), with a firm hold on a non-detachable part of the framework, lowers the wheelchair down and on to the next stair below and steadies the wheelchair as the assistant in the rear places one foot on the next stair below and repeats process.
5. The wheelchair should not be lowered until the last stair has been negotiated and the wheelchair has been rolled away from the stairway.
6. If necessary, rotate the anti-tippers so the wheels are facing down.

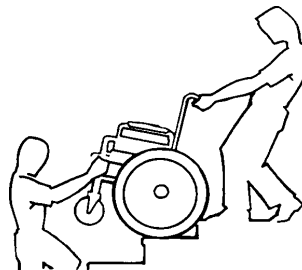


FIGURE 4 Stairways

Escalators



WARNING

DO NOT use an escalator to move a wheelchair between floors. Serious bodily injury may occur.

Transferring To and From Other Seats



WARNING

Before attempting to transfer in or out of the wheelchair, every precaution should be taken to reduce the gap distance. Turn both casters parallel to the object you are transferring onto. Also be certain the wheel locks are engaged to help prevent the wheels from moving.



CAUTION

When transferring, position yourself as far back as possible in the seat. This will help prevent damaged upholstery and the possibility of the wheelchair tipping forward.



This activity may be performed independently provided you have adequate mobility and upper body strength.

Position the wheelchair as close as possible alongside the seat to which you are transferring, with the front casters pointing parallel to it. Remove or flip up the armrest. Engage wheel locks. Swing away or remove front rigging. Shift body weight into seat with transfer.

During independent transfer, little or no seat platform will be beneath you. Use a transfer board if at all possible.



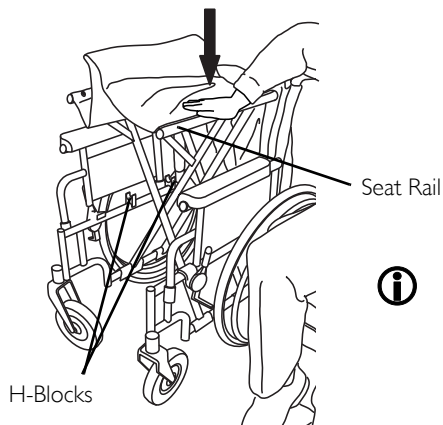
FIGURE 5 Transferring To and From Other Seats

2 SAFETY

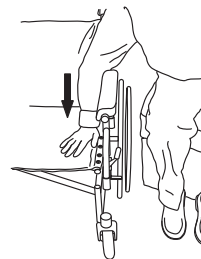
Folding/Unfolding the Wheelchair

Unfolding the Wheelchair

1. Tilt the wheelchair toward you (raising the opposite wheel and caster off the ground/floor).
2. Place your hand on the top of the seat rail closest to you where the seat upholstery is attached.
3. Point your fingers and thumb to the inside of the wheelchair.
4. Press downward on the top of the seat rail until the wheelchair is fully open and the seat rails are fully seated in the H-blocks.
5. Tracer SX5 RECLINERS ONLY - Install spreader bar. Refer to Removing/Installing the spreader bar in section 10 of this manual.
6. Engage both wheel locks,
7. open the footrest/legrest for clearance and transfer into the wheelchair. Refer to [Transferring To and From Other Seats](#) on page 21.



DO NOT wrap thumb or fingers under the seat rail. Point fingers and thumb to the inside of the wheelchair.



Press down on the seat rail and the seat upholstery with the entire hand. DO NOT place any part of the hand under the seat rail.

FIGURE 6 Folding/Unfolding the Wheelchair

Folding Wheelchair

1. Tracer SX5 RECLINERS ONLY - Perform the following steps:
 - A. Push in detent pin on one side of spreader bar.
 - B. While holding the spreader bar, pull out handle until the release pin is out of the handle of the back cane.
 - C. Drop the spreader bar to one side.
2. Swing footrest/legrest in locked position to the front of the wheelchair.
3. Pivot footplates upward to vertical position.
4. With both hands, grasp the middle of the seat upholstery at the front and back edge and lift up.



WARNING

DO NOT allow upholstery to hang between the cross braces.

5. Place excess seat upholstery over the armrest.

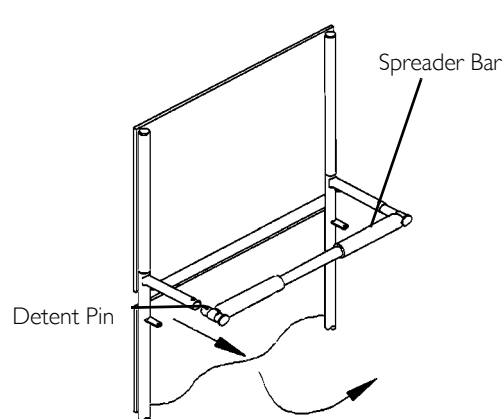
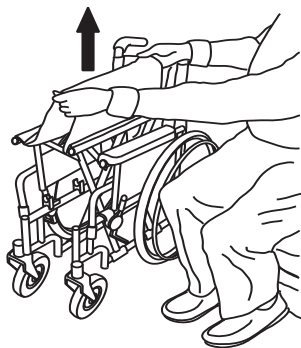



FIGURE 7 Folding Wheelchair

2 SAFETY

Folding Hammock or Sling Seat Models

1. Swing footrest/legrest and calypads in locked position to the front of the wheelchair.
2. Pivot footplates upward to vertical position.
3. With both hands, grasp the middle of the seat upholstery at the front and back edge and lift up. 
4. Continue to close the wheelchair by grasping the armrest furthest from you and pulling the armrest towards you.

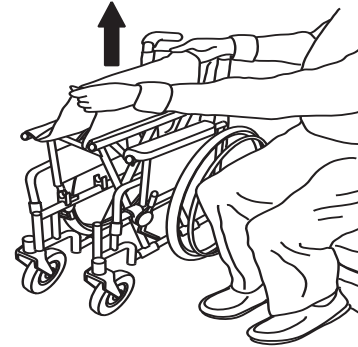
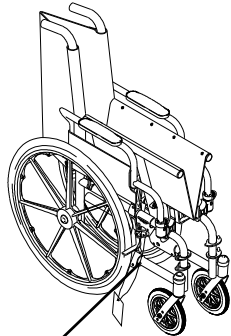


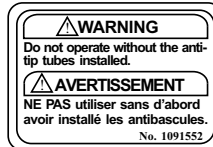
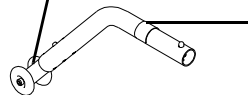
FIGURE 8 Folding Hammock or Sling Seat Models

3 Overview

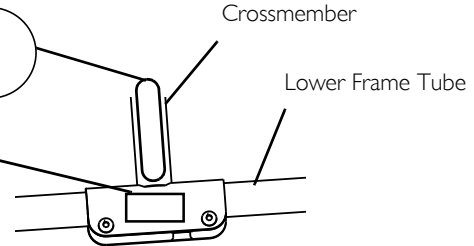
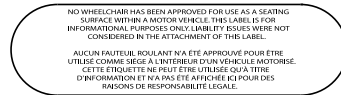
3.1 Label Locations



Serial Number Location (Tracer SX5 non-recliner is located on right crossbrace. Tracer SX5 recliner is located on right frame)

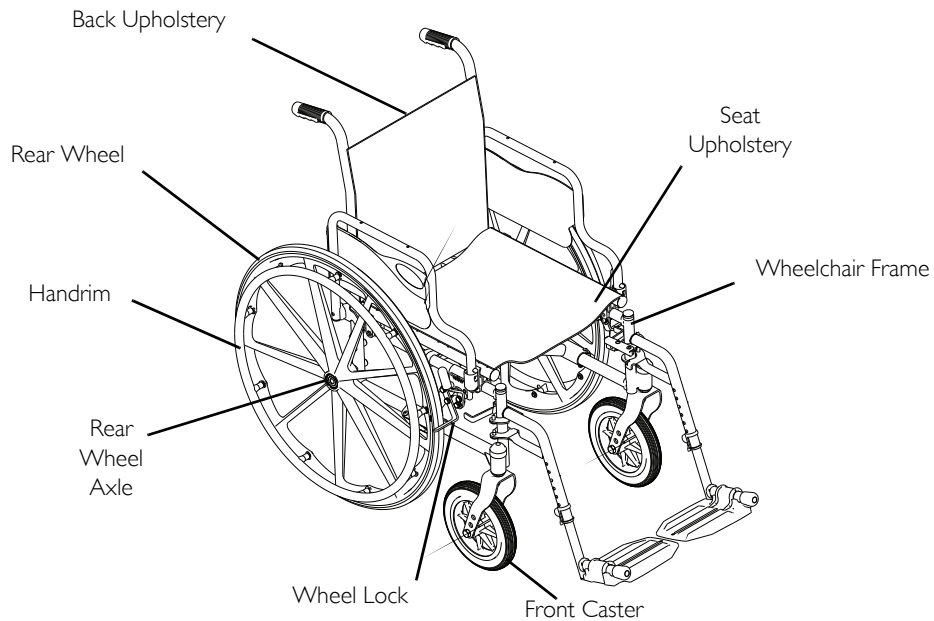


NOTE: On all adjustable anti-tippers



3 OVERVIEW

3.2 Component Identification



3.3 Typical Product Parameters

	Tracer SX5 Recliner	Tracer SX5
Overall Width:	22 ¹ / ₂ , 24 ¹ / ₂ , 26 ¹ / ₂ , 28 ¹ / ₂ , or 30 ¹ / ₂ inches	
Overall Depth (without front riggings)	34 inches	30 ¹ / ₄ inches
Seat Width	14, 16, 18, 20 or 22 inches	
Seat Depth	16 and 18 inches	
Seat-to-Floor (with 24-inch Wheels) Adult:	19 ¹ / ₂ inches	
Hemi:	N/A	17 ¹ / ₂ inches
Back Height	23 inches (34 inches with headrest)	16 or 18 inches
Arm Styles	Fixed or Adjustable Height Desk or Full Length Removable	Fixed or Adjustable Height Desk or Full Length Flip Back
Front riggings	Swingaways Footrests and Elevating Legrests	
Rear Axle	Permanent	Permanent* and Quick Release
Rear Wheels	20, 22 and 24*-inch Composite*, Urethane*, Pneumatic or Pneumatic-Flat Free Insert	
Handrims	Composite*	
Wheel Locks	High Mount, Push or Pull to Lock	

3 OVERVIEW

	Tracer SX5 Recliner	Tracer SX5
Caster Size	8x1-1/4 inch Urethane*, 8x1-1/4 inch Pneumatic or Pneumatic-Flat Free Insert 8x1-3/4 inch Semi Pneumatic (standard on 20 and 22 inch width chairs)	6x1 inch Urethane, 8x1 inch Urethane, 8x1 inch Solid Rubber* and 8x1-1/4 inch Pneumatic (standard on 20 and 22 inch width chairs)
Upholstery	Vinyl	Black Nylon
Frame Colors	Chrome	Chrome
Weight Limit Seat Width 14 to 18 inches seat width 20 to 22 inches	250 lbs (114 Kg) 300 lbs (136 Kg)	250 lbs (114 Kg) 300 lbs (136 Kg)
Weight**	53 pounds	33 ³ / ₄ pounds
Shipping Weight*** (approx.)	61 pounds	43 ¹ / ₂ pounds



* These options are standard for this model.

** The seat-to-floor heights are based on urethane tires. If the wheelchair is equipped with pneumatic (properly inflated) or solid rubber tires, add 1/4 inch to the measurements listed above. These heights can vary +/- 1/4-inch due to tire wear and manufacturing tolerances.

*** Weights based on 18 x 16 inch wheelchair without front riggings. Weights will vary depending on how wheelchair is equipped.

4 Safety Inspection/troubleshooting



Every six months or as necessary, take your wheelchair to a qualified technician for a thorough inspection and servicing. Regular cleaning will reveal loose or worn parts and enhance the smooth operation of your wheelchair. To operate properly and safely, your wheelchair **MUST** be cared for just like any other vehicle. Routine maintenance will extend the life and efficiency of your wheelchair.

4.1 Safety Inspection Checklist

Initial adjustments should be made to suit your personal body structure and preference. Thereafter follow these maintenance procedures:

Inspect/Adjust Initially

- Ensure that the wheelchair rolls straight (no excessive drag or pull to one side).
- Inspect for loose or missing hardware on frame and crossbraces.
- Inspect for bent frame or crossbraces.
- Check that the wheel locks **DO NOT** interfere with tires when rolling.
- Check that the wheel lock pivot points are free of wear and looseness.
- Check that the wheel locks are easy to engage.
- Ensure that the wheel locks prevent the wheelchair from moving when engaged.
- Inspect the seat and back for rips and sagging.
- Inspect the seat and back for loose or broken hardware.
- Inspect the back cane hand grips for wear/looseness/deterioration.
- Inspect seat positioning strap for any signs of wear. Ensure buckle latches. Verify hardware that attaches strap to frame is secure and undamaged. Replace if necessary.
- Inspect tires for flat spots and wear.

4 SAFETY INSPECTION/TROUBLESHOOTING

- Check pneumatic tires for proper inflation.



WARNING

As with any vehicle, check the wheels and tires periodically for cracks and wear. Replace if damaged.

- Check that there is no excessive side movement or binding in the rear wheels when lifted and spun.
- Inspect rear wheels for cracked, bent or broken spokes.
- Ensure all spokes are uniformly tight.
- Inspect handrims for signs of rough edges or peeling.
- Inspect axle assembly for proper tension by spinning caster. Caster should come to a gradual stop.
- Adjust front casters/forks bearing system if wheel wobbles noticeably or binds to a stop.
- Ensure wheel bearings are clean and free of moisture.
- Check headtube locknuts for tightness.
- Inspect casters for cracks and wear.
- Inspect front casters for cracked, bent or broken spokes.
- Clean upholstery and armrests with mild soap and water.
- Check that all labels are present and legible. Replace if necessary.

Inspect/Adjust Weekly

- Ensure that the wheel locks prevent the wheelchair from moving when engaged.
- Inspect tires for flat spots and wear.
- Check pneumatic tires for proper inflation.
- Inspect rear wheels for cracked, bent or broken spokes.
- Ensure all spokes are uniformly tight.
- Inspect axle assembly for proper tension by spinning caster. Caster should come to a gradual stop.
- Inspect front caster for cracked, bent or broken spokes.

Inspect/Adjust Monthly

- Ensure that the wheelchair rolls straight (no excessive drag or pull to one side).
- Check that the wheel locks DO NOT interfere with tires when rolling.
- Check that the wheel lock pivot points are free of wear and looseness.
- Inspect seat and back for loose or broken hardware.
- Inspect seat positioning strap for any signs of wear. Ensure buckle latches. Verify hardware that attaches strap to frame is secure and undamaged. Replace if necessary.
- Inspect back cane hand grips for wear/looseness/deterioration.
- Adjust front casters/forks bearing system if wheel wobbles noticeably or binds to a stop.
- Ensure wheel bearings are clean and free of moisture.
- Check headtube locknuts for tightness.

Inspect/Adjust Periodically

- Inspect frame and crossbraces for loose or missing hardware.
- Inspect for bent frame or crossbraces.
- Check that wheel locks are easy to engage.
- Inspect seat and backs for rips and sagging.
- Check that there is no excessive side movement or binding in the rear wheels when lifted and spun.
- Inspect handrims for signs of rough edges or peeling.
- Adjust front casters/forks bearing system if wheel wobbles noticeably or binds to a stop.
- Ensure wheel bearings are clean and free of moisture.
- Inspect casters for cracks and wear.
- Clean upholstery and armrests with mild soap and water.
- Check that all labels are present and legible. Replace if necessary.

4 SAFETY INSPECTION/TROUBLESHOOTING

4.2 Troubleshooting

Chair Veers Right/Left	Chair 3 Wheels	Sluggish Turn or Performance	Casters Flutter	Squeaks and Rattles	Looseness in Chair	Solutions
X	X	X	X			Check tires for correct and equal pressure
		X	X	X	X	Check for loose nuts and bolts.
X	X		X			Check caster headtube angle.
X	X					Check that rear wheels are equally spaced away from seat frame.

4.3 Maintenance

Maintenance Safety Precautions



WARNING

After any adjustments, repair or service and before use, make sure all attaching hardware is tightened securely. Otherwise injury or damage may result.

Replace any labels that are missing, worn, or torn. Refer to [Label Locations](#) on page 8 for a listing of the labels and their locations.

CAUTION

DO NOT overtighten hardware attaching to the frame. This could cause damage to the frame tubing.

Suggested Maintenance Procedures

1. Before using your wheelchair, make sure all nuts and bolts are tight.
2. Check all parts for damage or wear and replace.
3. Check all parts for proper adjustment.



WARNING

Do not use the wheelchair unless it has the proper tire pressure (p.s.i.).

DO NOT overinflate the tires. Failure to follow these suggestions may cause the tire to explode and cause bodily harm. The recommended tire pressure is listed on the sidewall of the tire.

CAUTION

As with any vehicle, check the wheels and tires periodically for cracks and wear. Replace as recommended. Refer to Periodically adjust wheel locks in correlation to tire wear. Refer to Adjusting Patient Operated Wheel Locks on page 59. or Refer to Replacing/Repairing Caster Tire/Tube on page 34.

4. The rear wheels, casters and tires should be checked periodically for cracks and wear, and should be replaced by a qualified technician if damaged.
5. Periodically adjust wheel locks in correlation to tire wear. Refer to Adjusting Patient Operated Wheel Locks on page 59.



Tire wear is excessive if:

- Pneumatic Tires - there is missing tread or the tires are bald.
- Urethane Tires - there are cuts, surface defects or the tires are loose on the rims.
- Rubber Tires - 30% or more of the tire has worn away.

Invacare recommends that rear wheel tire/tube and caster tire/tube be replaced every five years.

6. Periodically check handrims to ensure they are secured to the rear wheels. If loose, have them tightened by a qualified technician.
7. Periodically check caster wheel bearings to make sure they are clean and free from moisture. Use a Teflon[®] lubricant if necessary.
8. Check upholstery for sagging, rips or tears.
9. Clean upholstery with mild soap and water.

4 SAFETY INSPECTION/TROUBLESHOOTING

10. Hand grips should be checked monthly for wear/looseness/deterioration. Clean if desired. Replace if looseness or deterioration is found.

Replacing/Repairing Rear Wheel Tire/Tube



WARNING

Replacement of solid urethane tires is not recommended. If the solid urethane tire needs repaired, Invacare recommends replacing the complete wheel assembly.

Replacement of rear wheel tube must be performed by a qualified technician.

Replacing/Repairing Caster Tire/Tube



WARNING

Replacement of solid urethane or semi-pneumatic tires is not recommended. If the solid urethane or semi-pneumatic tires need replaced, Invacare recommends replacing complete caster assembly.

For pneumatic tires, replacement of the tube must be performed by a qualified technician.

5 Front Riggings



WARNING

After any adjustments, repair or service and before use, make sure all attaching hardware is tightened securely - otherwise injury or damage may occur.

5.1 Installing/Removing Front Riggings



For this procedure refer to FIGURE 1 on page 36.

Installing

1. Turn the front rigging assembly to the side.
2. Install the hinge plates on the front rigging assembly onto the hinge pins on the wheelchair frame.



When performing STEP 3, it may be necessary to pull release lever toward front of chair to assist the front rigging to lock in place.

3. Push the front rigging assembly towards the inside of the wheelchair until it locks into place.



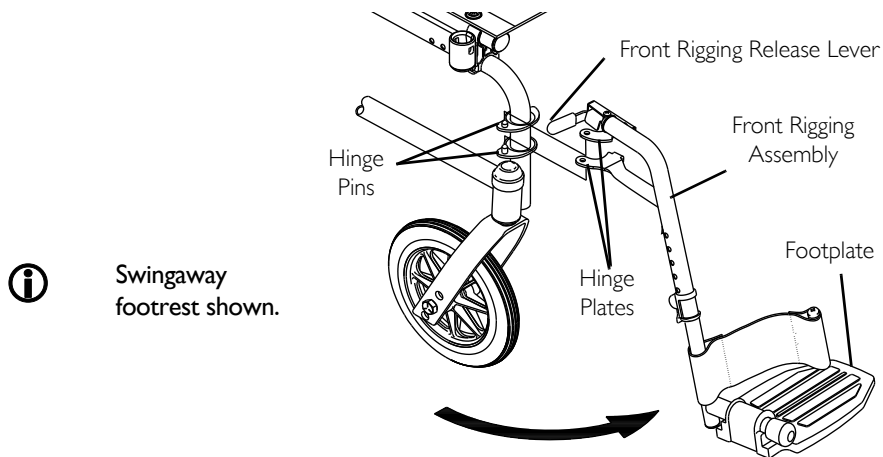
The footplate will be on the inside of the wheelchair when locked in place.

4. Repeat this procedure for the other front rigging assembly.
5. To release the front rigging, push the front rigging release lever inward, rotate front rigging outward.

Removing

1. Push the front rigging release lever inward
2. Rotate swingaway front rigging assembly outward.
3. Lift the swingaway front rigging assembly off the hinge pins.

5 FRONT RIGGINGS



Swingaway
footrest shown.

FIGURE 1 Installing/Removing Front Riggings

5.2 Adjusting Footplate Height



For this procedure, refer to FIGURE 2 on page 37.

This procedure applies to the swingaway front riggings and swingaway elevating legrest.

1. Remove the front rigging assembly. Refer to Installing/Removing Front Riggings on page 35.



Lay the front rigging assembly on a flat surface to simplify this procedure.

2. Pull the cam lock lever up to unlocked position.



The elevating legrest has two sets of release buttons, one set above the other. Each set will be visible one at a time allowing finer footplate height adjustment.

5 FRONT RIGGINGS

3. Push in the release buttons and reposition the footplate assembly to the desired height.
4. Ensure that the release buttons fully protrude from holes on both sides of the front rigging support.
5. Rotate cam lock lever down to locked position.
6. Repeat this procedure for the other footplate, if necessary.
7. Reinstall the swingaway front rigging assembly. Refer to [Installing/Removing Front Riggings](#) on page 35.

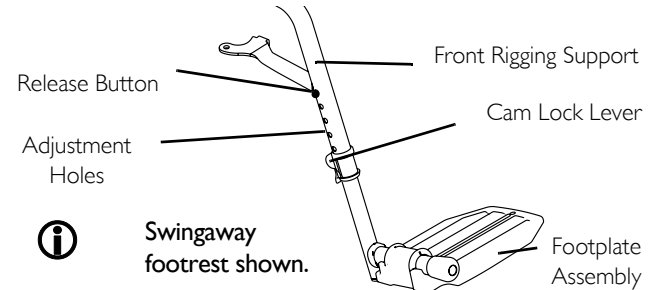


FIGURE 2 Adjusting Footplate Height

Raising/Lowering Elevating Legrest Assembly



WARNING

Ensure hands and fingers are clear of elevating legrest mechanism before pushing release lever to lower the elevating legrest. Otherwise injury may occur due to pinch points.

The wheelchair user's leg **MUST** be supported by an assistant before attempting to lower legrest.

1. To raise the elevating legrest, the assistant should hold the support tube and raise the elevating legrest until the desired height is obtained.
2. To lower the elevating legrest, perform the following:
 - A. Support user leg with one hand.
 - B. Push release lever downward with other hand.
 - C. Gently, lower user leg down and rest against the legrest.

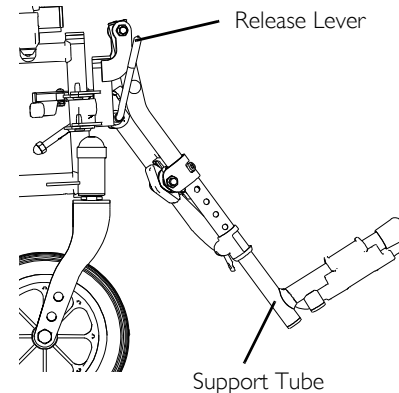


FIGURE 3 Raising/Lowering Elevating Legrest Assembly

5 FRONT RIGGINGS

5.3 Replacing Heel Loop

1. Pull the cam lock lever up to unlocked position.
2. Push in the release buttons and remove the footplate assembly from the front rigging support.
3. Remove the mounting screw, spacer and locknut that secure the heel loop to the footplate.
4. Remove existing heel loop from slide tube.
5. Install new heel loop onto slide tube.
6. Install the mounting screw, spacer and locknut to secure the heel loop to the footplate. Tighten until the spacer is secure.
7. Insert the lower footrest assembly into the upper footrest assembly to desired height.
8. Ensure that the release buttons fully protrude from holes on both sides of the upper footrest support.
9. Rotate cam lock lever down to locked position.

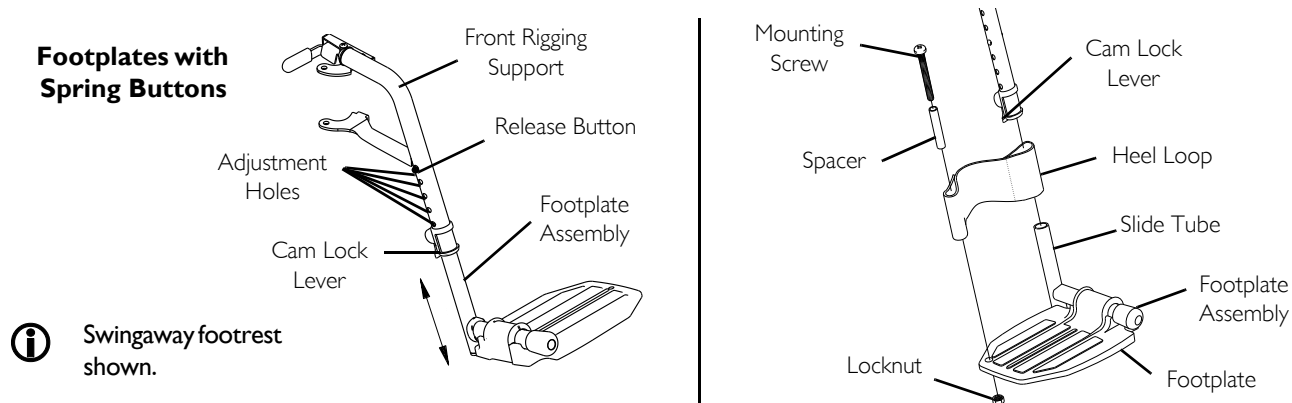


FIGURE 4 Replacing Heel Loop

6 Arms



WARNING

After any adjustments, repair or service and before use, make sure all attaching hardware is tightened securely - otherwise injury or damage may occur.

6.1 Using or Replacing Flip-Back Armrest



WARNING

DO NOT operate or replace flip-back armrest when wheelchair is folded - otherwise injury or damage may result. Ensure armrest is securely locked into arm socket and armrest release button locks into place before using.



For this procedure refer to FIGURE 1 on page 40.

Using

1. Push down on front of armrest to ensure it is fully seated in front socket.



This step is needed to prevent the release button from hanging up on the socket.

2. Press in armrest release button located on armrest front tube.
3. Rotate front of armrest up and out of arm socket.



Armrest can rotate back approximately 90°.

4. To prepare armrest for use, rotate armrest downward, making sure front tube of armrest inserts into arm socket.
5. Push armrest down until release button snaps into arm socket.
6. Ensure armrest is securely locked into arm socket and armrest release button locks into place before using.

6 ARMS

Replacing

1. Perform STEPS 1-2 above to flip the armrest back.
2. Remove hex screw, spacer and locknut securing the EXISTING armrest and insert to the wheelchair frame.
3. Remove the EXISTING armrest from frame.
4. Inspect rear tube of new armrest to ensure insert is properly installed with mounting holes aligned.
5. If not properly aligned, rotate the insert using a flat screwdriver to align the mounting holes.

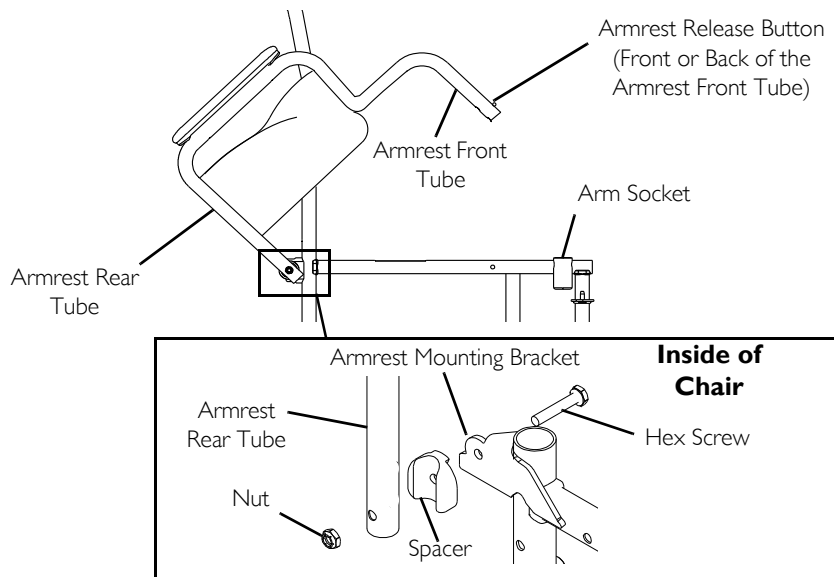


FIGURE 1 Using or Replacing Flip-Back Armrest

Adjusting Armrest Height



WARNING

Make sure the height adjustment lever is in the locked position before using the wheelchair.

1. Unlock the armrest by flipping the height adjustment lever on the top front of the armrest to the up (horizontal) position.

2. Adjust armrest to one of five positions.



Height adjustment lever **MUST** be in the unlocked position when placing armrest into the arm assembly.

3. Lock the armrest by pressing the height adjustment lever into the down (vertical) position when the desired armrest height is achieved.
4. Repeat STEPS 1-3 for other armrest.

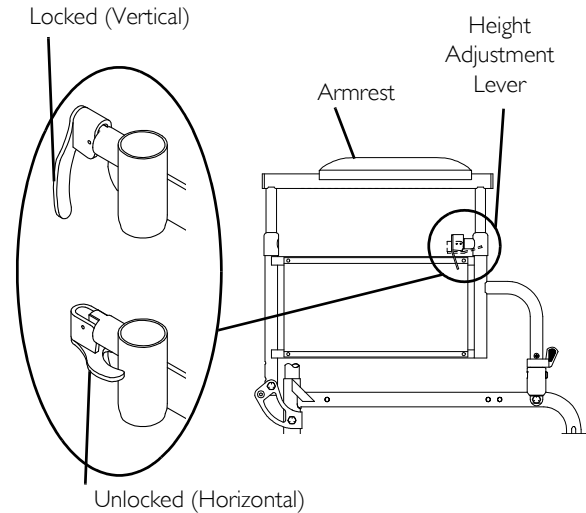


FIGURE 2 Adjusting Armrest Height

7 Seat and Back



WARNING

After any adjustments, repair or service and before use, make sure all attaching hardware is tightened securely - otherwise injury or damage may occur.



The procedures in this section apply to non-recliner models only. For recliner models, refer to [Recliner](#) on page 64.

7.1 Installing the Back Canes

1. Remove the hex screw and locknut from the bottom of one back cane.
2. Position threaded insert into the bottom of each back cane with nut facing the outside of the wheelchair and aligned with the mounting hole in the bottom of the back cane.
3. Insert the back cane into the mounting hole in the wheelchair frame.
4. Position the hex screw through the wheelchair frame, back cane, and threaded insert.



The hex screw should be inserted from the inside of the wheelchair frame.

5. Torque the hex screw to 60-80 inch pounds.
6. Install the locknut onto the hex screw. Secure the hex screw to prevent it from backing out and torque the locknut to 60-80 inch pounds.

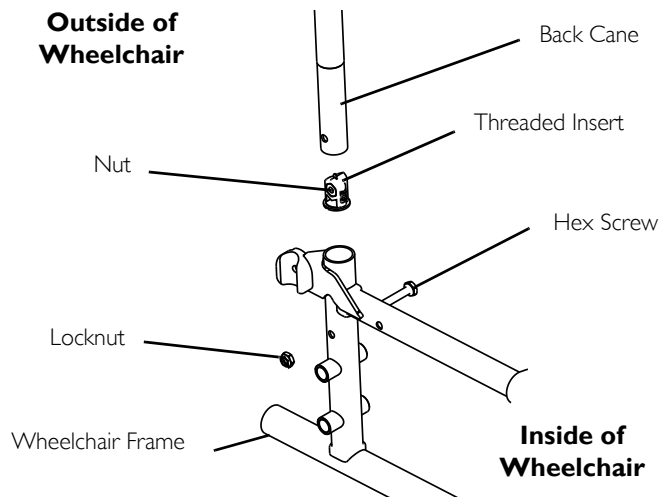


FIGURE I Installing the Back Canes

Replacing Back Upholstery

1. Remove the eight mounting screws and washers that secure the existing back upholstery to the back canes.
2. Remove existing back upholstery from the back canes.
3. Securely tighten the new back upholstery to the back canes with the phillips screws and washers. The following chart determines the number of mounting screws for each seat depth.

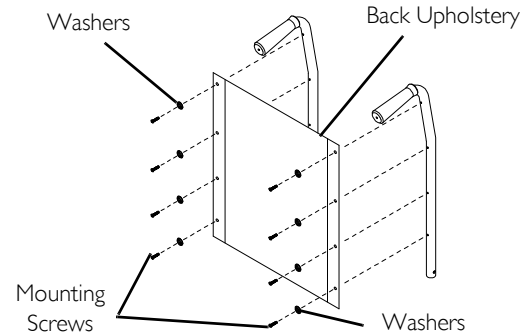


FIGURE 2 Replacing Back Upholstery

Replacing Seat Upholstery

1. Remove the eight phillips screws and washers that secure the existing seat upholstery to the crossbraces.
2. Remove the existing seat upholstery from the crossbraces.
3. Ensure positioning of seat positioning strap (if used). Refer to [Installing the Seat Positioning Strap](#) on page 77.
4. Install new seat upholstery by reversing STEPS 1-2.

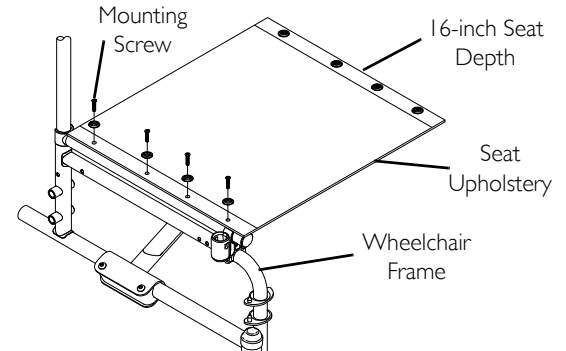


FIGURE 3 Replacing Seat Upholstery

7 SEAT AND BACK

7.2 Adjusting Seat Depth



WARNING

The seat depth, size/position of the front casters, size/position of the rear wheels, use of an anti-tipper model, as well as the user condition directly relate to the stability of the wheelchair. Any change to one or any combination of the seven may cause the wheelchair to decrease in stability. These adjustments **MUST** be performed by a qualified technician.

1. Remove the existing seat upholstery from the wheelchair. Refer to [Replacing Seat Upholstery](#) on page 43.



If adjusting the seat depth of the wheelchair, the seat upholstery **MUST** be changed as well.

2. Remove the two plug buttons from the ends of the crossbraces that are towards the front of the wheelchair.



The two plug buttons will be used in the ends of the seat extensions.

3. Install the two seat extension tubes into the ends on the crossbraces. Line up the rear mounting hole of the seat extension tube with the second mounting hole from the end of the crossbrace.
4. Install the two seat extension spacers onto the two seat extension tubes.
5. Install the new seat upholstery onto the wheelchair. Make sure to line up the mounting holes in the seat extension tubes and seat extension spacers with the new seat upholstery. Refer to [Replacing Seat Upholstery](#) on page 43.
6. Install plug buttons into the ends of the seat extension spacers.

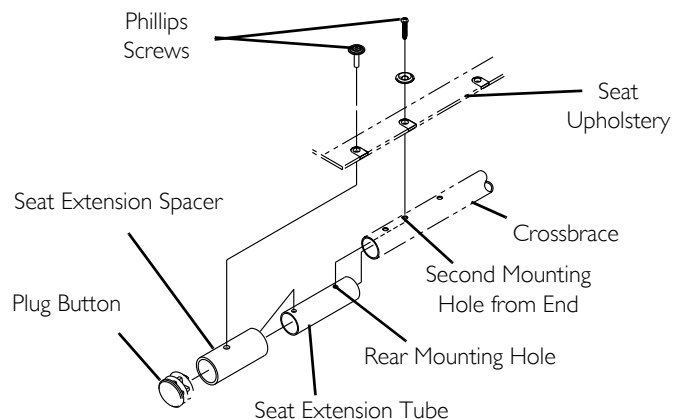


FIGURE 4 Adjusting Seat Depth

7.3 Adjusting the Seat Width



For this procedure, refer to FIGURE 5 on page 46, FIGURE 6 on page 47, and FIGURE 7 on page 48.

When adjusting the seat width of the wheelchair, the back and seat upholstery **MUST** be changed. If applicable, the headrest pillow and headrest upholstery **MUST** be changed as well.

1. Remove the existing back and seat upholstery from the wheelchair. Refer to [Replacing Back Upholstery](#) on page 43 and [Replacing Seat Upholstery](#) on page 43.
2. Remove the four button screws and locknuts that secure the two pivot links to the wheelchair frame and crossbraces.
3. Remove the two button screws, locknuts and crossbrace saddle that secures the bottom of the crossbrace to the wheelchair frame. Repeat for other crossbrace.
4. Remove the hex screw, coved washers, washers and locknut that secure the two crossbraces together. See Detail "B".



Note the orientation of the coved washers, washers and locknut for assembling the new crossbraces. See Detail "B".

5. Assemble the two new crossbraces together with the existing hex screw, coved washers, washers and locknut. Securely tighten. Refer to Detail "B" for hardware orientation.
6. Determine the correct pivot link and mounting hole to use with the desired seat width. See chart below.
7. Secure the pivot links to the crossbraces and wheelchair frame with the four button screws and locknuts. Securely tighten.



Position crossbrace saddle on wheelchair frame using the washer on the underside of the wheelchair frame as a reference. See Detail "A" for proper positioning of the crossbrace saddle.

8. Reinstall the two button screws, locknuts and crossbrace saddle that secures the bottom of the new crossbrace to the wheelchair frame. Refer to Detail "B" for hardware orientation. Repeat for opposite crossbrace. Securely tighten.
9. Install the new back and seat upholstery onto the wheelchair. Refer to [Replacing Back Upholstery](#) on page 43 and [Replacing Seat Upholstery](#) on page 43.

7 SEAT AND BACK

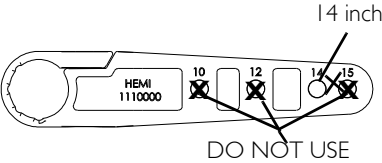
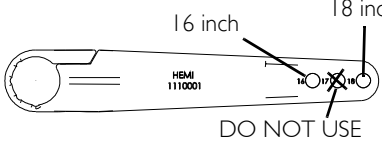
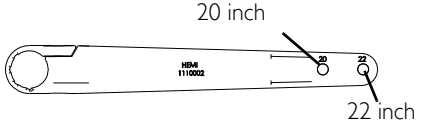
SEAT WIDTH	PIVOT LINK
<p>14 INCH 18 INCH</p>	 <p>14 inch</p> <p>DO NOT USE</p>
<p>16 INCH 18 INCH</p>	 <p>16 inch</p> <p>18 inch</p> <p>DO NOT USE</p>
<p>20 INCH 22 INCH</p>	 <p>20 inch</p> <p>22 inch</p>

FIGURE 5 Adjusting the Seat Width

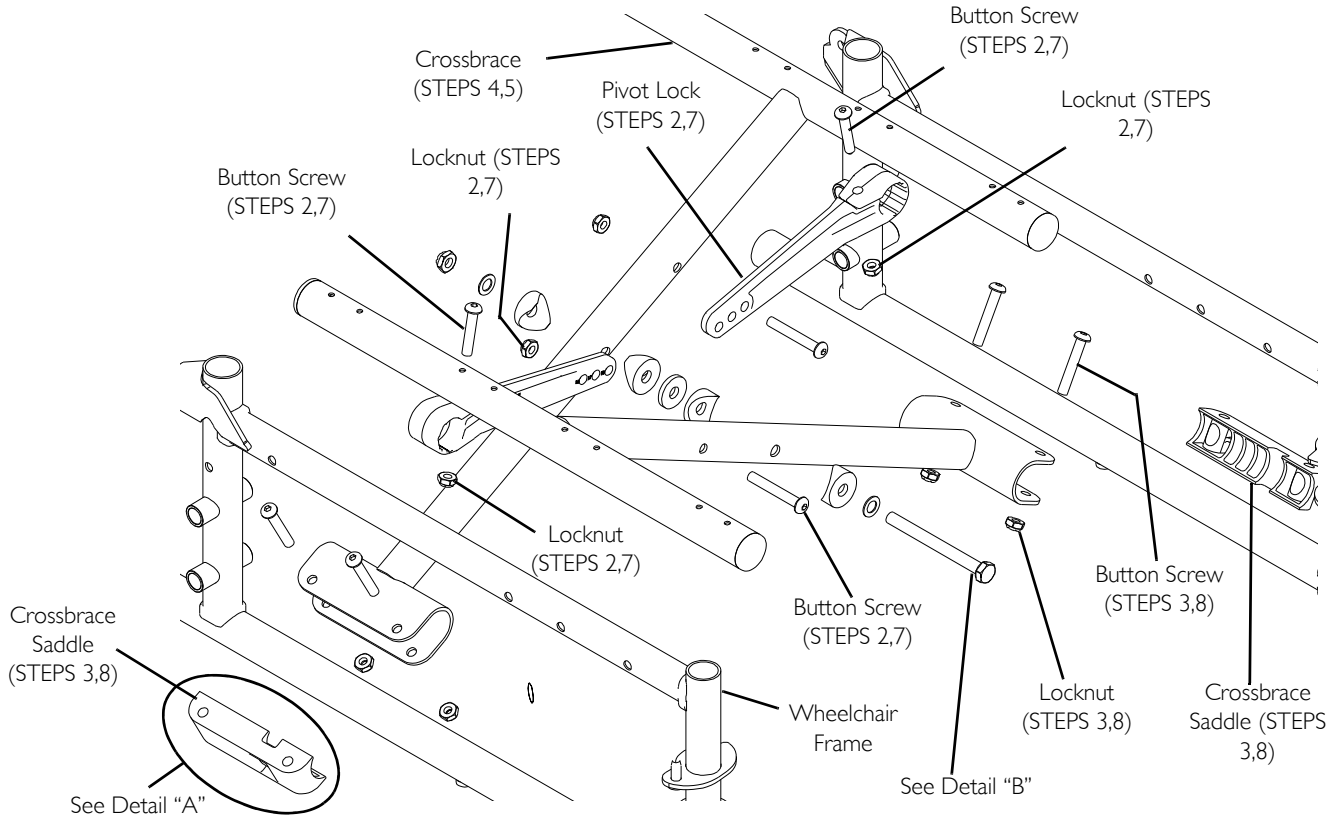


FIGURE 6 Adjusting the Seat Width

7 SEAT AND BACK

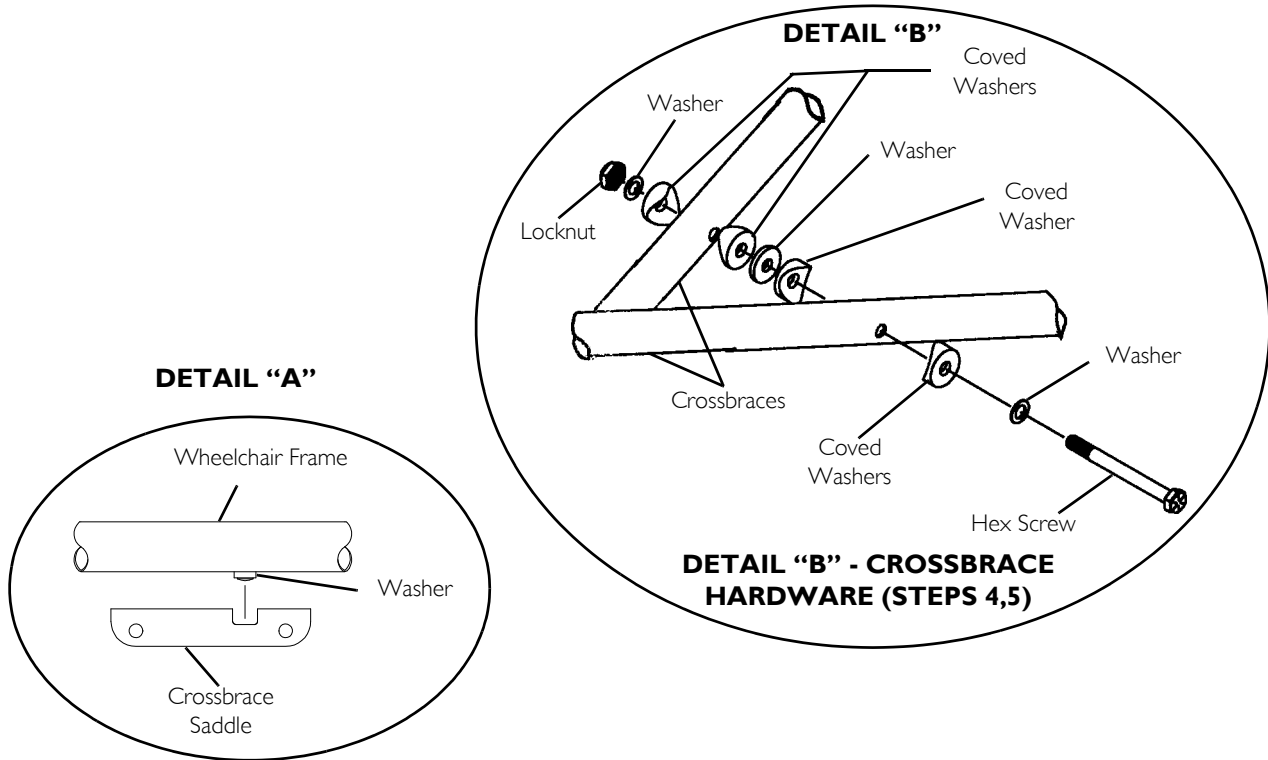


FIGURE 7 Adjusting the Seat Width

8 Rear Wheels



WARNING

After any adjustments, repair or service and before use, make sure all attaching hardware is tightened securely - otherwise injury or damage may occur.



The procedures in this section apply to non-recliner models only. For recliner models, refer to [Recliner](#) on page 64.

8.1 Removing/Installing Rear Wheels



WARNING

Only a qualified technician may change the size of the rear wheel or the seat-to-floor height.

If changing the size of the rear wheel or a change in the seat-to-floor height is desired, this procedure **MUST** be performed by a qualified technician.

Make sure both rear wheels are the same size and are installed into the same respective mounting hole before using the wheelchair, otherwise injury may occur.

Permanent Axles



WARNING

This procedure **MUST** be performed by a qualified technician.



For this procedure, refer to [FIGURE 1](#) on page 50.

If replacing the same size rear wheel, note the mounting position on the wheelchair frame for proper reinstallation of the new rear wheel.

8 REAR WHEELS

1. Remove the dust cap (SA Frame only), hex screw, washer (SA Frame only), spacer (if installed) and locknut that secure the rear wheel to the wheelchair frame.



The spacer is used on wheelchairs with removable arms only.

2. Repeat STEP 1 for the opposite rear wheel if desired.
3. To reinstall the rear wheel(s) onto the wheelchair, reverse STEPS 1-2 and torque locknut to 40 ft.-lbs.
4. Adjust wheel locks. Refer to [Using/Adjusting Patient Operated Wheel Locks](#) on page 57.

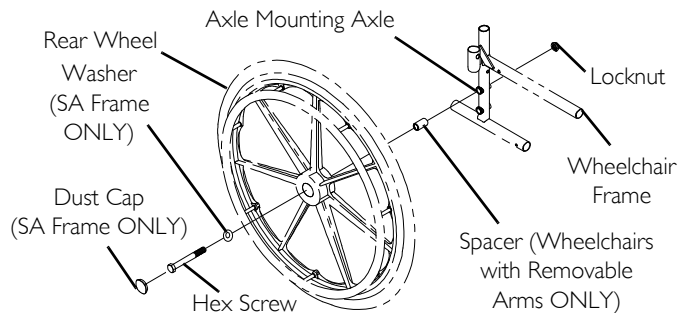


FIGURE 1 Removing/Installing Rear Wheels - Permanent Axles

8.2 Replacing Rear Wheel Handrim



WARNING

If the wheelchair is equipped with permanent axles, this procedure **MUST** be performed by a qualified technician.

1. Remove the rear wheel from the wheelchair. For non-recliner models, refer to [Removing/Installing Rear Wheels](#) on page 49. For recliner models, refer to [Removing/Installing the Rear Wheels](#) on page 71.
2. Remove the mounting screws that secure the handrim to rear wheel.
3. Remove the existing handrim.
4. Secure the new handrim to the rear wheel with mounting screws. Tighten securely.
5. Reinstall rear wheel to the wheelchair. Refer to [Removing/Installing Rear Wheels](#) on page 49.

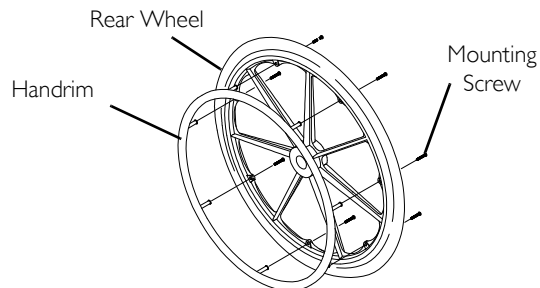


FIGURE 2 Replacing Rear Wheel Handrim

9 Front Casters



WARNING

After any adjustments, repair or service and before use, make sure all attaching hardware is tightened securely - otherwise injury or damage may occur.

9.1 Installing/Replacing Six/Eight Inch Front Casters/Forks



WARNING

Make sure both fork/caster assemblies are the same size before using the wheelchair, otherwise injury may occur.



This procedure can be performed if replacing the exact same size front caster.

1. Remove the dust cover.
2. Remove the locknut and nylon washer that secures the fork to the caster headtube.
3. Drop the fork assembly out of the caster headtube.



If caster tire/tube replacement is desired, refer to [Replacing/Repairing Caster Tire/Tube](#) on page 34.

4. Slide the new fork assembly into the caster headtube.
5. Reassemble by reversing STEPS 1-3.
6. Repeat STEPS 1-6 for the opposite fork assembly.
7. Adjust the forks. Refer to [Adjusting Forks](#) on page 52.

Non-recliner Wheelchairs under 20 Inches Wide

Non-recliner Wheelchairs under 20 to 22 Inches Wide and recliner models

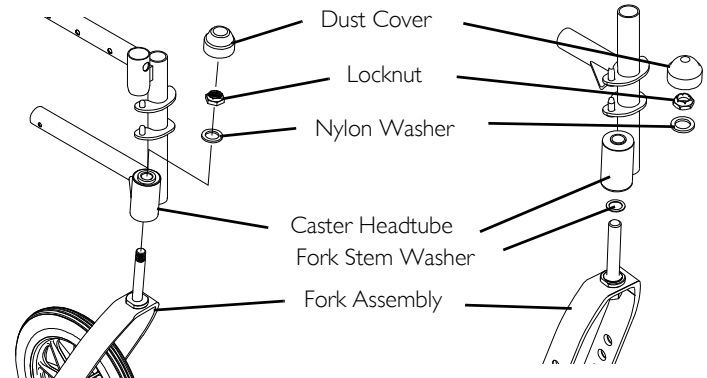


FIGURE 1 Installing/Replacing Six/Eight Inch Front Casters/Forks

9 FRONT CASTERS

9.2 Adjusting Forks

1. To properly tighten caster journal system and guard against flutter, perform the following check:
 - A. Tip back of wheelchair to floor.
 - B. Pivot both forks and casters to top of their arc simultaneously.
 - C. Let casters drop to bottom of arc (wheels should swing once to one-side, then IMMEDIATELY rest in a straight downward position).
 - D. Adjust locknuts according to freedom of caster swing.
 - E. Repeat STEPS C-D until wheels swing once to one-side, then IMMEDIATELY rest in a downward position.
2. Test wheelchair for maneuverability.
3. Readjust locknuts if necessary, and repeat STEPS 1-2 until correct.
4. Snap dust cover over the locknut and stem.

9.3 Replacing Front Casters



For this procedure, refer to FIGURE 2 on page 53.



WARNING

Make sure both front casters are the same size and are installed into the same respective mounting hole before using the wheelchair, otherwise injury may occur.



If replacing the same size front caster, note the mounting position on the fork assembly for proper reinstallation of the new front caster.

1. Remove the hex screw, washers and locknut that secure the front caster to the fork.



Washers are only used with 8 inch casters with precision bearings.

2. To reinstall the new front caster onto the fork, reverse step 1.

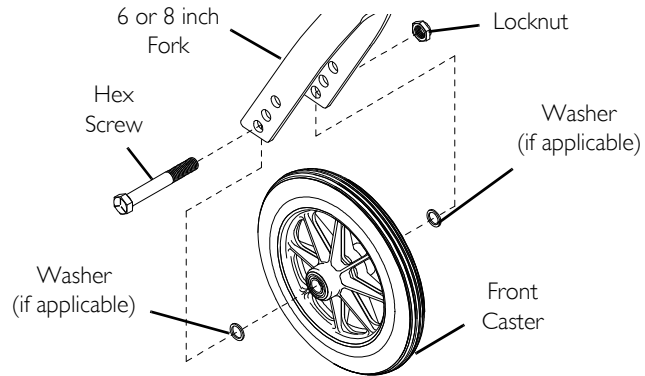


FIGURE 2 Replacing Front Casters

10 Anti-Tippers/Wheel Locks



WARNING

After any adjustments, repair or service and before use, make sure all attaching hardware is tightened securely - otherwise injury or damage may occur.

10.1 Installing/Adjusting Anti-Tippers



For this procedure, refer to FIGURE 1 on page 55.



WARNING

Anti-tippers are specific to the different seat-to-floor angles and/or seat-to-floor heights. Refer to the chart in this section of the manual for correct usage and adjustment. If these requirements cannot be achieved, **DO NOT** use the wheelchair. Contact a qualified technician. If changing the seat-to-floor height with or without a change to seat-to-floor angle, the correct anti-tippers **MUST** be used to maintain a 1 1/2 to 2 inch ground clearance.

If so equipped, anti-tippers **MUST** be attached at all times. Inasmuch as the anti-tippers are an option for 0° or 3° on this wheelchair (You may order with or without the anti-tippers), Invacare strongly recommends ordering the anti-tippers as a safeguard for the wheelchair user.

Anti-tippers **MUST** be fully engaged and release buttons fully protruding out of adjustment holes.

ALWAYS use anti-tippers. When outdoors on wet, soft ground or on gravel surfaces, anti tippers may not provide the same level of protection against tipover. Extra caution **MUST** be observed when traversing such surfaces.

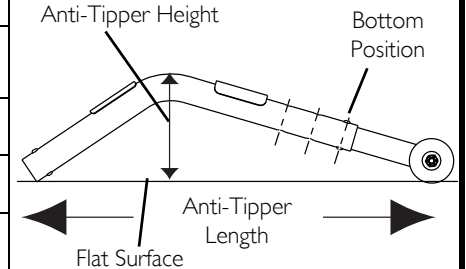
Ensure both anti-tippers are adjusted to the same mounting hole.

Installing Anti-Tippers



To ensure the correct model anti-tipper is used refer to chart below. Measurements for anti-tippers are approximate and are taken with extension tube in bottom hole position.

MODEL	SEAT-TO-FLOOR HEIGHT	ANTI-TIPPER (MEASUREMENTS IN INCHES)			
		LENGTH	HEIGHT	MODEL	PART NO.
SX5	17 1/2 to 19 1/2 inches	13 1/2	3 1/2	I360	I058836
	15 1/2 to 17 1/2 inches	11 5/8	2 3/4	I360A	I058752
SX5 RECLINER	17 1/2 to 19 1/2 inches	13 1/2	3 1/2	N/A	I088242



1. Press the release buttons and insert the anti-tippers with the anti-tipper wheels pointing toward the ground/floor into the wheelchair frame tubing.
2. Ensure that the release button of the anti-tipper fully protrudes out of the hole in the bottom of the wheelchair frame tubing.
3. Place the wheelchair on a flat surface.
4. Measure the distance between the bottom of the anti-tipper wheels and the ground/floor.

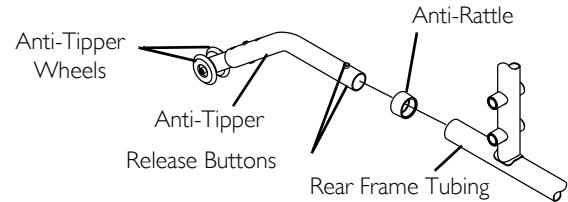


FIGURE 1 Installing Anti-Tippers



A 1 1/2 to 2 inch clearance between the bottom of the anti-tipper wheels and the ground/floor **MUST** be maintained at all times.

5. If the distance between the bottom of anti-tipper wheels and the ground/floor is not 1 1/2 to 2 inches, adjust anti-tippers. Refer to Adjusting the Anti-Tippers on page 56.

10 ANTI-TIPPERS/WHEEL LOCKS

Adjusting the Anti-Tippers

i A 1 1/2 to 2 inch clearance between the bottom of the anti-tipper wheels and the ground/floor **MUST** be maintained at all times.

1. Place the wheelchair on a flat surface.

i If adjusting anti-tippers on recliner models, ensure back canes are in the upright position before making adjustments.

2. Press the release buttons on the wheeled portion of the anti-tipper and slide it up or down to the desired adjustment hole.

3. Check to make sure that the release buttons are fully engaged in adjustment holes.

4. Ensure both anti-tippers are adjusted to the same height.

5. Measure the distance between the bottom of the anti-tipper wheels and the ground/floor.

6. If the distance between the bottom of anti-tipper wheels and the ground/floor is not 1 1/2 to 2 inches, repeat steps 2-5 until the distance is 1 1/2 to 2 inches.

7. If the 1 1/2 to 2 inch distance cannot be achieved, a different model may be required. Contact an Invacare dealer or qualified technician.

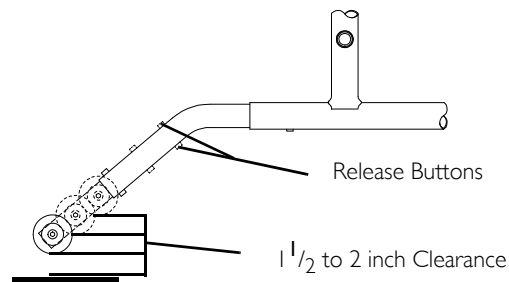


FIGURE 2 Adjusting the Anti-Tippers

10.2 Using/Adjusting Patient Operated Wheel Locks

Using Patient Operated Wheel Locks



WARNING

DO NOT attempt to stop a moving wheelchair with wheel locks. Wheel locks are not brakes.

If the wheelchair is equipped with push to lock wheel locks, elevating legrests, and wheel lock extension handles, the wheel lock extension handles **MUST** be removed before swinging the elevating legrests to the side, otherwise injury or damage may result. Interference between the top of the elevating legrest and the wheel lock extension handle may cause the wheel lock to disengage.



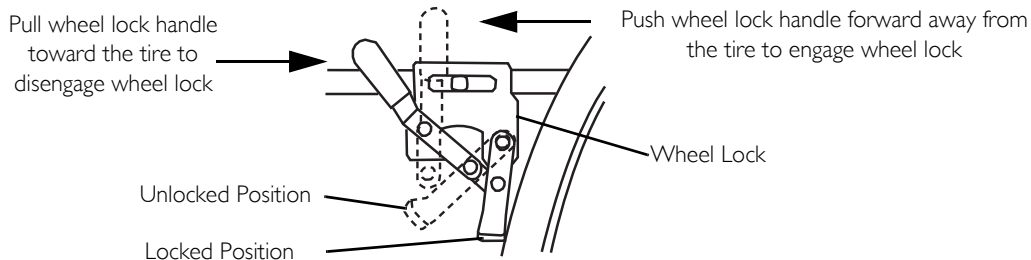
For this procedure, refer to FIGURE 3 on page 58.

Position wheelchair on a flat, level surface to perform this procedure.

1. Ensure the wheelchair is not moving before engaging the wheel locks.
2. See Detail “A” for instructions on Push-to-Lock. Refer to Detail “B” for instructions on Pull-to-Lock.

10 ANTI-TIPPERS/WHEEL LOCKS

Detail “A” Push-To-Lock



Detail “B” - Pull-To-Lock

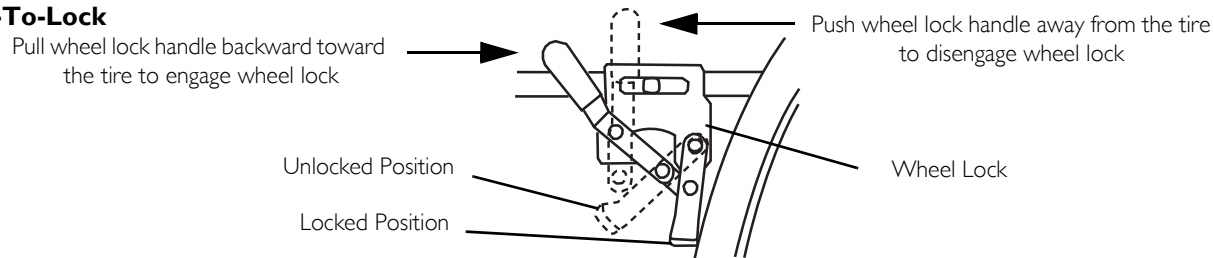


FIGURE 3 Using Patient Operated Wheel Locks

Adjusting Patient Operated Wheel Locks



WARNING

DO NOT attempt to stop a moving wheelchair with wheel locks. Wheel locks are not brakes.

If wheel locks do not hold the occupied wheelchair in place, contact a qualified technician; otherwise injury or damage may occur.



Position wheelchair on a flat, level surface to perform this procedure.

1. Ensure the wheel lock is in the open (unlocked) position.
2. Loosen the bolt and locknut that secure the wheel lock assembly to the wheelchair frame.
3. Reposition the wheel lock so that when engaged, the wheel lock shoe embeds the tire $\frac{1}{8}$ inch ($\frac{3}{16}$ inch for pneumatic tires) and holds the wheelchair.
4. Securely tighten the bolt and locknut securing the wheel lock to the wheelchair frame.
5. Engage the wheel lock.
6. Measure the distance the wheel lock is embedded into the tire as shown in Detail "A".



Any wheel lock adjustment should embed the wheel lock shoe at least $\frac{1}{8}$ inch ($\frac{3}{16}$ inch for pneumatic tires) into the tire when engaged.

7. Repeat the STEPS 1-6 until the wheel lock shoe embeds the tire $\frac{1}{8}$ inch ($\frac{3}{16}$ inch for pneumatic tires) and holds the wheelchair.
8. Repeat STEPS 1-7 for the opposite wheel lock.
9. Engage both wheel locks and ensure the occupied wheelchair is held in place when pushed.

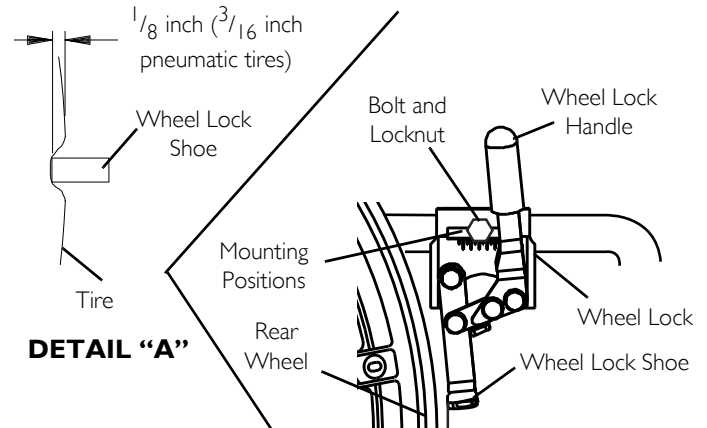


FIGURE 4 Using Patient Operated Wheel Locks

II Seat to floor



WARNING

After any adjustments, repair or service and before use, make sure all attaching hardware is tightened securely - otherwise injury or damage may occur.

II.1 Changing Seat-to-Floor Height



For this procedure, refer to FIGURE 1 on page 62 and FIGURE 2 on page 63.



WARNING

The seat depth, size/position of the front casters, size/position of the rear wheels, use of an anti-tipper model, as well as the user condition directly relate to the stability of the wheelchair. Any change to one or any combination of the seven may cause the wheelchair to decrease in stability. These adjustments **MUST** be performed by a qualified technician.

Seat-to-floor heights have specific positions depending on rear wheel size, rear wheel position, front caster size and front caster position. These adjustments **MUST** be performed by a qualified technician.

If changing the seat-to-floor height the correct anti-tippers **MUST** be ordered to maintain a 1 1/2 to 2 inch ground clearance.

1. Refer to one of the following charts to determine mounting positions for front casters/forks and rear wheels for the desired obtainable seat-to-floor height:
 - A. Adult/Hemi Frame Style - FIGURE 1 on page 62.
 - B. Recliner Frame Style - FIGURE 2 on page 63.
2. Remove the rear wheels from the wheelchair. Refer to one of the following procedures:
 - A. Adult/Hemi Frame Style - Refer to Removing/Installing Rear Wheels on page 49.
 - B. Recliner Frame Style - Refer to Removing/Installing the Rear Wheels on page 71.

3. If necessary, replace the front casters and forks with the casters and forks indicated in the chart. Refer to replacing front casters and installing/replacing fork assemblies in section 7 of this manual.
4. Reinstall the rear wheels onto the wheelchair in the mounting position indicated in the chart. Refer to one of the following procedures.
 - A. Adult/Hemi Frame Style - Refer to Removing/Installing Rear Wheels on page 49.
 - B. Recliner Frame Style - Refer to Removing/Installing the Rear Wheels on page 71.
5. Adjust anti-tippers according to new seat-to-floor height. Refer to adjusting the anti-tippers in section 8 of this manual.

Non-Recliner Frame Style



WARNING

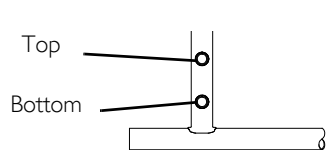
20-22 Wide (300 lb. weight limitation) Wheelchairs only: 8 x 1³/₄ inch semi-pneumatic front casters **MUST** be installed. **DO NOT** replace with any other size/style front caster. Otherwise, injury or damage may occur.

6-INCH FRONT CASTERS			
SEAT-TO-FLOOR HEIGHT (IN INCHES)	FRONT CASTER MOUNTING POSITION	REAR WHEEL SIZE	REAR WHEEL MOUNTING POSITION
15 1/2	TOP	20 inch	TOP
16 1/2	MIDDLE	22 inch	TOP
17 1/2	BOTTOM	24 inch	TOP
17 1/2	BOTTOM	20 inch	BOTTOM

8-INCH FRONT CASTERS			
SEAT-TO-FLOOR HEIGHT (IN INCHES)	FRONT CASTER MOUNTING POSITION	REAR WHEEL SIZE	REAR WHEEL MOUNTING POSITION
17 1/2	TOP	20 inch	BOTTOM
17 1/2	TOP	24 inch	TOP
18 1/2	MIDDLE	22 inch	BOTTOM
19 1/2	BOTTOM	24 inch	BOTTOM

II SEAT TO FLOOR

Rear Wheel Mounting Positions - Adult/Hemi Frame Style



6 or 8-Inch Fork Mounting Positions

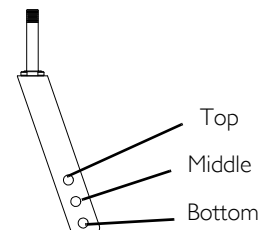


FIGURE I Changing Seat-to-Floor Height - Non-Recliner Frame Style

Recliner Frame Style



WARNING

Tracer SX5 recliner **ONLY**: Mount the rear wheels in the Rear Wheel Offset Bracket **ONLY**. **NEVER** reposition the rear wheels to the forward position, stability of the wheelchair will decrease, and injury or damage may result.

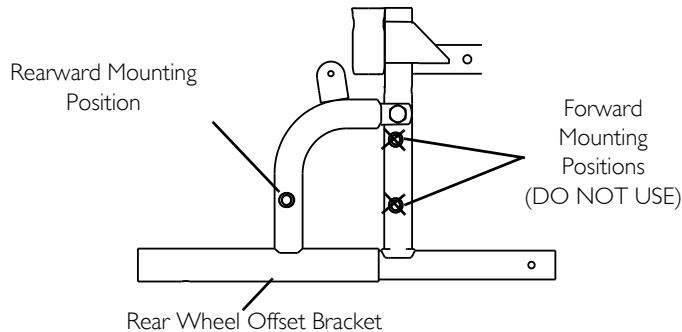
20-22 WIDE WHEELCHAIRS WITH 300 LB. WEIGHT LIMITATION:

8 x 1 ³/₄ inch semi-pneumatic front casters **MUST** be installed. **DO NOT** replace with any other size/style front caster. Otherwise, injury or damage may occur.

8 INCH FRONT CASTERS

SEAT-TO-FLOOR HEIGHT (IN INCHES)	FRONT CASTER MOUNT- ING POSITION	REAR WHEEL SIZE	REAR WHEEL MOUNT- ING POSITION
17 1/2	TOP	20 inch	N/A
18 1/2	MIDDLE	22 inch	N/A
19 1/2	BOTTOM	24 inch	N/A

DETAIL "A" - REAR WHEEL MOUNTING POSITIONS - TRACER SX RECLINER FRAME STYLE



DETAIL "B" - 8 INCH FORK MOUNTING POSITIONS

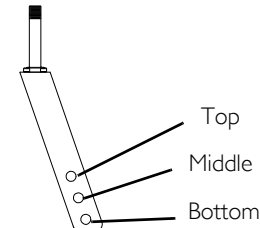


FIGURE 2 Changing Seat-to-Floor Height - Recliner Frame Style

I2 Recliner



WARNING

After any adjustments, repair or service and before use, make sure all attaching hardware is tightened securely - otherwise injury or damage may occur.

I2.1 Recliner Operation



WARNING

ALWAYS make sure that the wheelchair is stable in the full reclined (back at 180°) position and the full upright (back at 90°) position BEFORE using the recliner option.

Anti-tippers MUST BE attached at all times.

ALWAYS engage both wheel locks while reclining or inclining (reverse recline) the wheelchair.

Make sure spring buttons of the spreader bar fully protrude out through the hole in the handle before using the wheelchair.

Make sure both back canes are at the same angle before releasing the handles of the recline mechanisms.

Mount the rear wheels in the Rear Wheel Offset Bracket only. NEVER reposition the rear wheels to the forward position, stability of the wheelchair will decrease.

Before using the recliner option, the anti-tippers MUST be installed and properly adjusted. Refer to Installing/Adjusting the Anti-tippers in Section 8 of this manual.

ALWAYS return the back to the upright position before lifting the wheelchair.

Assistants MUST be prepared to support the weight of the occupant when reclining, or returning the occupant of the wheelchair to the full upright position. Make sure to use proper body mechanics (use your legs) or seek assistance if necessary to avoid injury.

ALWAYS engage both wheel locks while reclining or inclining (reverse recline) the wheelchair.

**WARNING**

Make sure occupant's and bystanders' hands and body are clear of all pinch points before reclining back. Use caution, otherwise injury may occur.

To Healthcare Professional/Assistants:

The Tracer SX5 Recliner wheelchair **MUST** be operated by a healthcare professional or assistant when in any reclined position.

Make sure the patient is properly positioned in the wheelchair before reclining or inclining (reverse recline) to maintain maximum stability and safety.



For this procedure, refer to FIGURE 1 on page 66.

1. Unfold wheelchair. Refer to [Folding/Unfolding the Wheelchair](#) on page 22.
2. Attach spreader bar. Refer to [Removing/Installing the Spreader Bar](#) on page 69.
3. Make sure wheelchair is occupied and on a level surface before reclining.
4. Engage the wheel locks.
5. Inform the occupant of the wheelchair that the wheelchair is about to be reclined.
6. Make sure occupant's hands and body are clear of all pinch points.
7. Stand behind the wheelchair and grasp both push handles firmly.
8. Lifting up on handles, squeeze release levers.
9. Slowly, pull back on the back assembly while squeezing the release levers.
10. When the back reaches the desired angle, slowly let go of the release levers.
11. To return the back to the full upright position, reverse the STEPS 7-10 keeping in mind proper body mechanics.

12 RECLINER

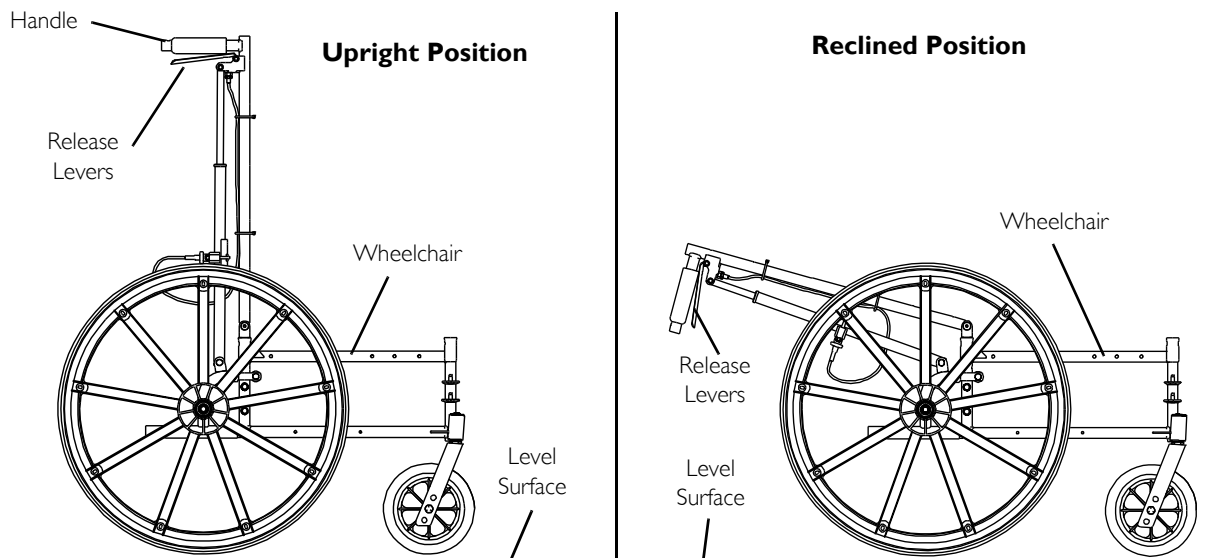


FIGURE 1 Recliner Operation

12.2 Replacing the Headrest Pillow



For this procedure, refer to FIGURE 2 on page 67.

1. Unfasten straps of headrest pillow from behind headrest upholstery.
2. Remove existing headrest pillow from headrest.
3. Center new/existing headrest pillow onto the front of the headrest upholstery.
4. Pull straps of new/existing headrest pillow around the back canes.

- Pressing firmly, attach the fastening strips of the new/existing headrest pillow to the fastening strips on the back of the headrest upholstery.

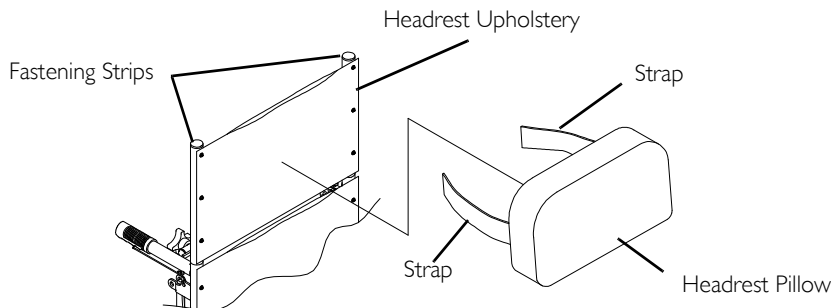


FIGURE 2 Replacing the Headrest Pillow

12.3 Replacing the Headrest/Back Upholstery

i For this procedure, refer to FIGURE 3 on page 68.

Headrest Upholstery

- Remove the headrest pillow. Refer to [Replacing the Headrest Pillow](#) on page 66.
- Remove the six mounting screws that secure the headrest upholstery to the headrest extension tubes.
- Secure new headrest upholstery onto headrest extension tubes with the existing six mounting screws.
- Install headrest pillow. Refer to [Replacing the Headrest Pillow](#) on page 66.

Back Upholstery

- Disengage one side of the spreader bar. Refer to [Removing/Installing the Spreader Bar](#) on page 69.

i To remove and install the bottom two mounting screws of the back upholstery the wheelchair **MUST** be partially folded. Refer to [Folding/Unfolding the Wheelchair](#) on page 22.

12 RECLINER

2. Remove the twelve mounting screws that secure the back upholstery to the back canes.
3. Secure new back upholstery to back canes with the existing twelve mounting screws. Securely tighten.
4. Reengage spreader bar. Refer to Removing/Installing the Spreader Bar on page 69.

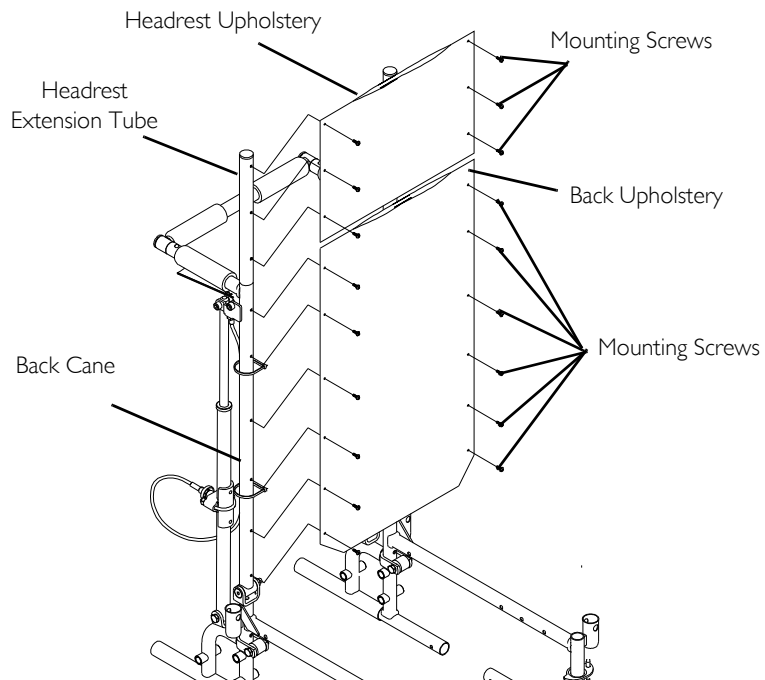


FIGURE 3 Replacing the Headrest/Back Upholstery

12.4 Removing/Installing the Spreader Bar



WARNING

Make sure both release buttons of the spreader bar fully protrude out through the holes in the handle **BEFORE** using the wheelchair.

Removing

1. Push in release button on one side of existing spreader bar.
2. While holding spreader bar, pull the lock tube until the release button is out of the handle of the back cane.
3. Drop the spreader bar to one side.
4. Repeat STEPS 1-2 on opposite end of spreader bar.

Installing

1. Push in release button on one of the lock tubes of the new/existing spreader bar.
2. Insert lock tube into the handle of the back cane.
3. Ensure the release button fully protrudes out of the hole in the back cane handle.
4. Repeat STEPS 1-3 on opposite end of spreader bar.

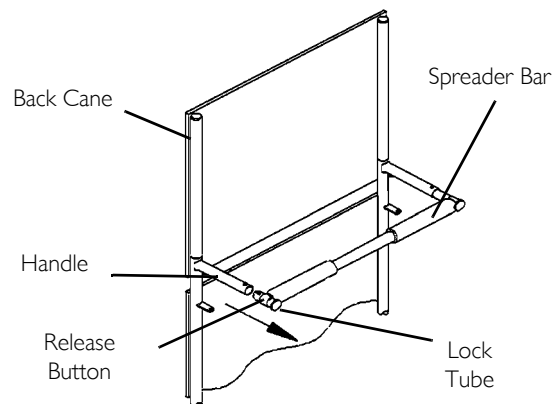


FIGURE 4 Removing/Installing the Spreader Bar

12 RECLINER

12.5 Removing and Installing Fixed Height Armrest



WARNING

Make sure the armrest is securely locked before using the wheelchair.

Removing Armrest

1. Push down on armrest to ensure it is fully seated in front and rear sockets.



This step is needed to prevent the release buttons from hanging up on the sockets.

2. Unlock the rear armrest by rotating the armrest release lever towards the outside of the wheelchair.
3. Press IN the armrest release buttons at the front of the armrest.
4. While pressing in the armrest release button, remove the armrest from the arm sockets by pulling straight up.

Installing Armrest



Rear armrest release lever **MUST** be in the unlocked position when installing the armrest.

1. Position the armrest just above the front and rear arm sockets.
2. Push arm down evenly at the front and rear until the front armrest release button snaps into the front arm socket.
3. Lock rear armrest by turning the armrest release lever towards the back of the wheelchair.
4. Ensure armrest is locked securely in the arm sockets by gently lifting up. If not locked, repeat STEPS 1-3.

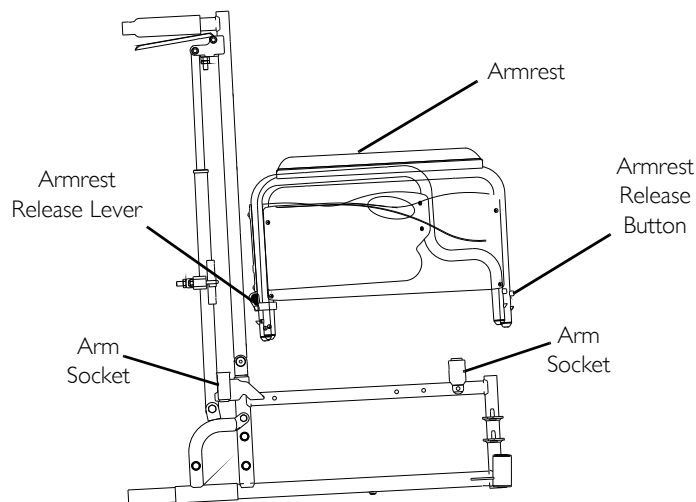


FIGURE 5 Removing and Installing Fixed Height Armrest

12.6 Removing/Installing the Rear Wheels



WARNING

If changing the size of the rear wheel or a change in the Seat-to-Floor Height is desired, this procedure **MUST** be performed by a qualified technician.

Ensure both rear wheels are the same size before using.

Tracer SX5 recliner **ONLY**: Mount the rear wheels in the Rear Wheel Offset Bracket **ONLY**. **NEVER** reposition the rear wheels to the forward position, as stability of the wheelchair will decrease, and injury or damage may result.

Removing

1. Note mounting position of existing rear wheel.
2. Remove the axle mounting screw and locknut that secure the existing rear wheel and spacer to the wheel offset bracket.
3. Remove the existing rear wheel from wheel offset bracket.

Installing

1. Secure the new/existing rear wheel and spacer to wheel offset bracket with axle mounting screw and locknut. Torque locknut to 40 in-lbs.

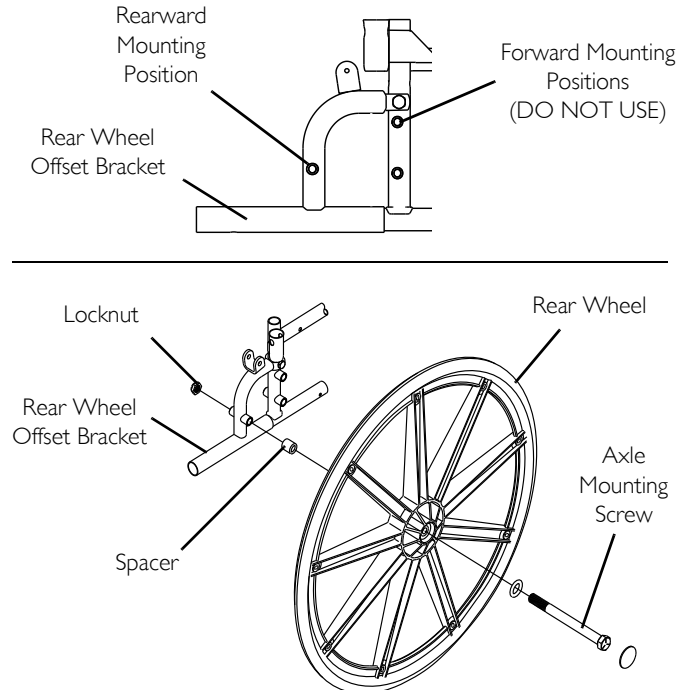


FIGURE 6 Removing/Installing the Rear Wheels

12 RECLINER

12.7 Using/adjusting the Clamp-On Wheel Locks

Using the Clamp-On Wheel Locks



WARNING

DO NOT attempt to stop a moving wheelchair with the wheel locks. WHEEL LOCKS ARE NOT BRAKES.



For this procedure, refer to FIGURE 7 on page 72. The Tracer SX5 Recliner with 24-inch rear wheels uses the disk wheel locks. Refer to [Using/Adjusting Patient Operated Wheel Locks](#) on page 57.

1. Ensure the wheelchair is not moving before engaging the wheel locks.
2. To engage, push the wheel lock handle forward.
3. Disengage the wheel locks by reversing STEP 2.

Adjusting the Clamp-On Wheel Locks



For this procedure, refer to FIGURE 8 on page 73.

If wheels are pneumatic, before adjusting or replacing the wheel lock assemblies, ensure that the tires are inflated to the recommended psi on the side wall of tire.

1. Disengage the wheel locks.
2. Loosen the bolt and locknut that secure the wheel lock to the wheelchair frame.

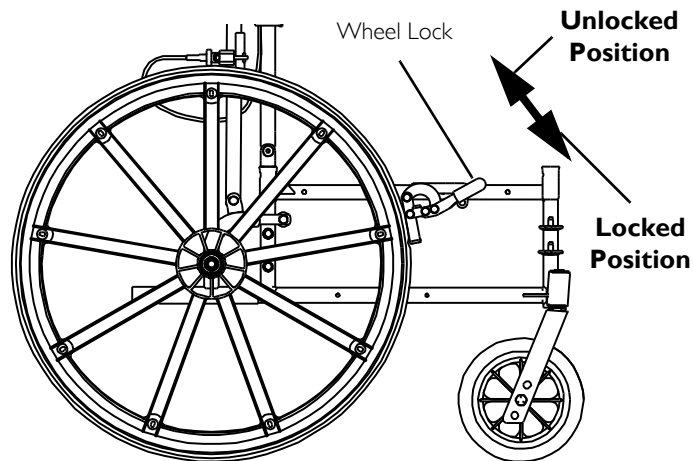


FIGURE 7 Using/adjusting the Clamp-On Wheel Locks - Using the Clamp-On Wheel Locks

3. Reposition the wheel lock so that when engaged, the wheel lock shoe embeds the tire $\frac{1}{8}$ inch ($\frac{3}{16}$ inch for pneumatic tires) and holds the occupied wheelchair in place when pushed.
4. Securely tighten the bolt and locknut or socket screws securing the wheel lock to the wheelchair frame.
5. Engage the wheel lock.
6. Measure the distance the wheel lock is embedded into the tire as shown in DETAIL "A".



Any wheel lock adjustment should embed the wheel lock shoe at least $\frac{1}{8}$ -inch ($\frac{3}{16}$ -inch if pneumatic tire) into the tire when engaged.

7. Repeat STEPS 1-6 until the wheel lock shoe embeds the tire $\frac{1}{8}$ -inch ($\frac{3}{16}$ -inch for pneumatic tires) and holds the occupied wheelchair in place when pushed.
8. Repeat STEPS 1-7 for the opposite wheel lock.
9. Engage both wheel locks and ensure the occupied wheelchair is held in place when pushed.



WARNING

If wheel locks DO NOT hold the occupied wheelchair in place contact a qualified technician.

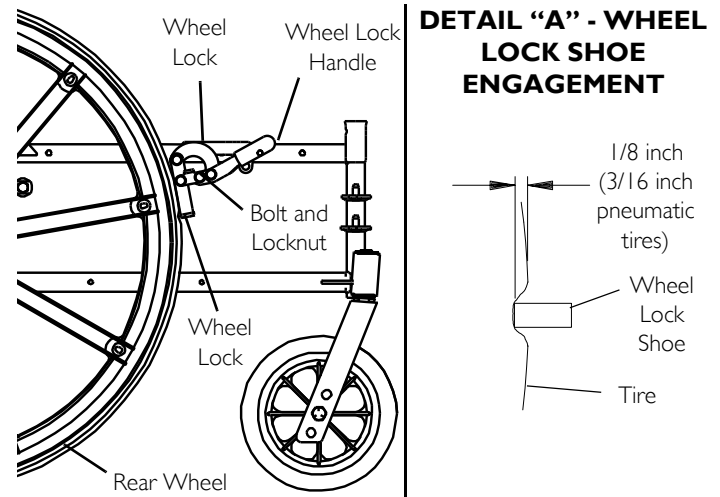


FIGURE 8 Using/adjusting the Clamp-On Wheel Locks - Adjusting the Clamp-On Wheel Locks

13 Options



WARNING

After any adjustments, repair or service and before use, make sure all attaching hardware is tightened securely - otherwise injury or damage may occur.

13.1 Installing Amputee Bracket



For this procedure, refer to FIGURE 1 on page 75.

1. Refer to the following chart or FIGURE 1 to determine the mounting position of the amputee bracket:

SEAT-TO-FLOOR	BRACKET	AXLE SPACER POSITION (ON BRACKET)	SIDE OF WHEELCHAIR	BRACKET MOUNTING POSITION (ON WHEELCHAIR)
ADULT	A*	DOWN	RIGHT	TOP
ADULT	B*	DOWN	LEFT	TOP
HEMI	B*	UP	RIGHT	BOTTOM
HEMI	A*	UP	LEFT	BOTTOM



* - "A" and "B" are stamped on the sides of the amputee bracket.

2. Install the amputee bracket on the wheelchair frame to the position determined in STEP 1.



Make sure the axle spacer is pointing towards the outside of the wheelchair.

3. Install the two hex screws and locknuts that secure the amputee bracket to the wheelchair.
4. Install the rear wheels onto the wheelchair. Refer to [Removing/Installing Rear Wheels](#) on page 49.

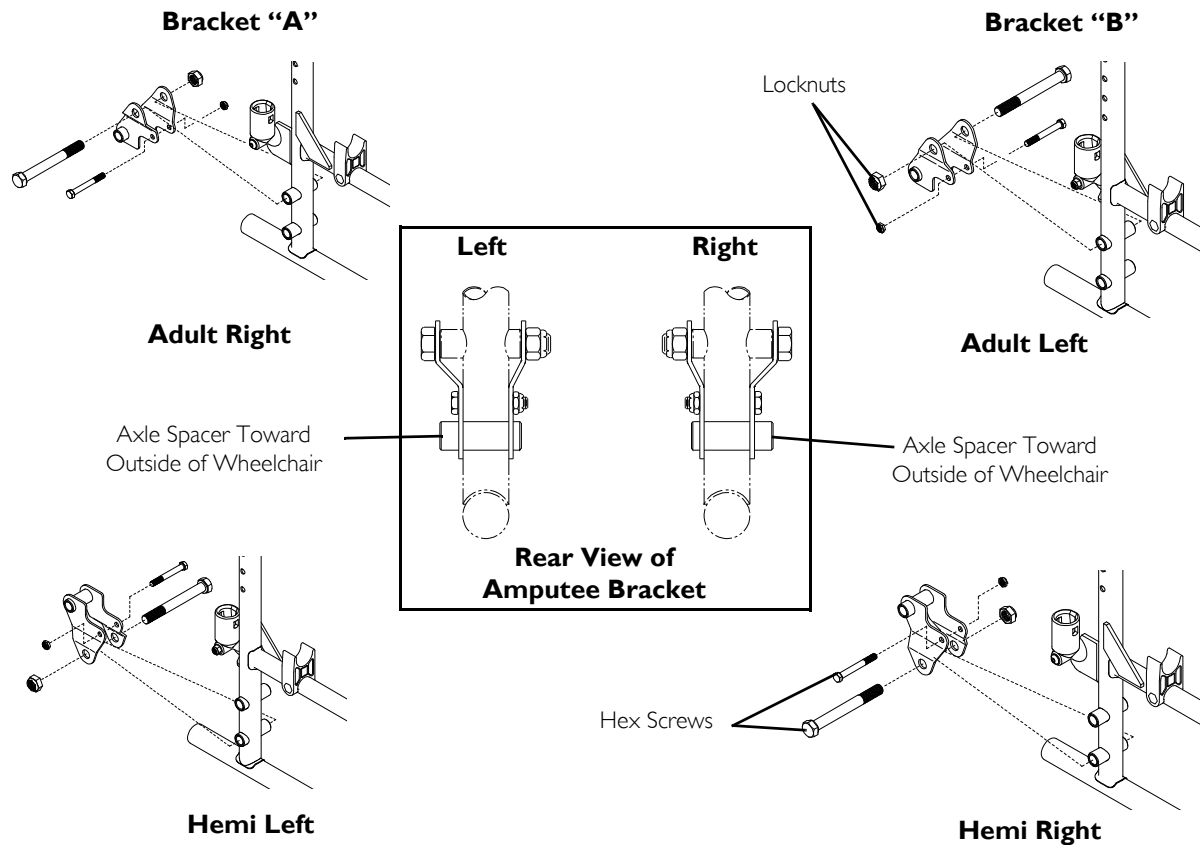


FIGURE I Installing Amputee Bracket

13 OPTIONS

13.2 Installing Crutch and Cane Carrier



WARNING

Check base weekly to ensure proper placement.

When loading the crutch/cane carrier, ensure items are securely placed into the base. Also ensure that there is no interference with folding the wheelchair, the rear wheels, or the swing-back arms.

Strap **MUST** be securely fastened while carrying items.

NEVER insert or remove items while wheelchair is moving.



For this procedure, refer to FIGURE 2.

1. Slide the clamp with the base attached over the end of the step tube of the wheelchair. Ensure the base is towards the inside of the wheelchair.
2. Position the base parallel to the step tube.



CAUTION

Base should be parallel to step tube to avoid bending spokes when folding the wheelchair.

3. Securely tighten the locknut that secures the base to the step tube of the wheelchair.
4. Remove the upper back upholstery screw and washer.
5. Align the strap with the back upholstery screw mounting hole.
6. Reinstall the back upholstery screw and washer and secure the strap to the wheelchair.
7. The base cleans easily with any chrome or glass cleaner. The strap can be cleaned with mild soap and water.

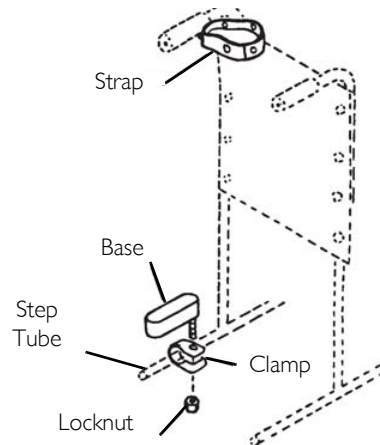


FIGURE 2 Installing Crutch and Cane Carrier

13.3 Installing the Seat Positioning Strap



WARNING

ALWAYS wear your positioning strap. Inasmuch as the Seat Positioning Strap is an option on this wheelchair (You may order with or without the seat restraint), Invacare strongly recommends ordering the Seat Positioning Strap as an additional safeguard for the wheelchair user.



For this procedure, refer to FIGURE 3.

1. Remove the bottom back upholstery screw from the wheelchair.
2. Position the seat positioning strap half between the back cane and back upholstery.
3. Secure the back upholstery and seat positioning strap to the wheelchair with the existing back upholstery screw.
4. Repeat STEPS 1-3 for the opposite side of the wheelchair.

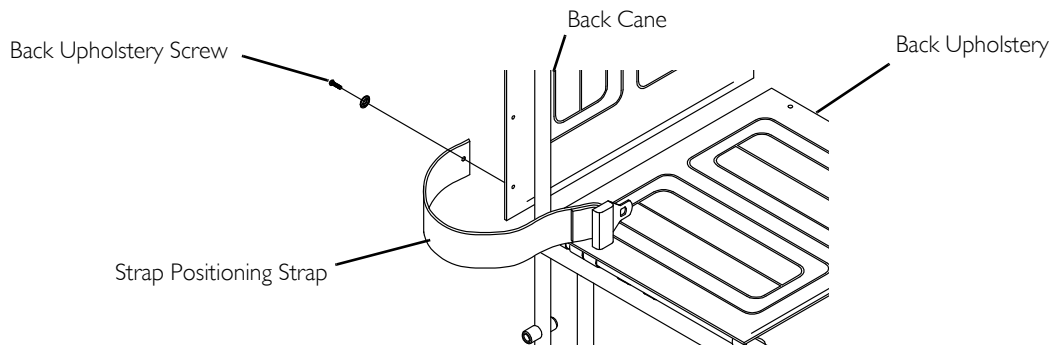


FIGURE 3 Installing the Seat Positioning Strap

13 OPTIONS

13.4 Installing the Wheel Lock Extension Handle



WARNING

If the wheelchair is equipped with push to lock wheel locks, elevating legrests, and wheel lock extension handles, the wheel lock extension handles **MUST** be removed before swinging the elevating legrests to the side, otherwise injury or damage may result. Interference between the top of the elevating legrest and the wheel lock extension handle causes the wheel lock to disengage.



For this procedure, refer to **FIGURE 4**

1. Remove the existing rubber tip from the wheel lock handle (Detail “A”).
2. Install the extension handle over the wheel lock handle (Detail “B”).

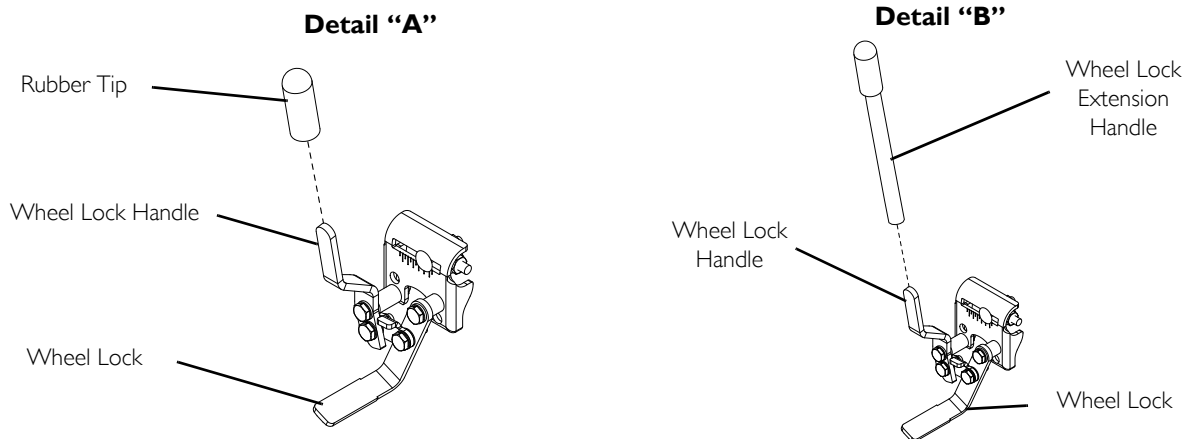


FIGURE 4 Installing the Wheel Lock Extension Handle

NOTES

Invacare Corporation

USA

One Invacare Way
Elyria, Ohio USA
44036-2125
800-333-6900

www.invacare.com

Canada

570 Matheson Blvd E
Unit 8
Mississauga Ontario
L4Z 4G4 Canada
800-668-5324

Part No. 1110550



Rev G - 2/11



Yes, you can.