

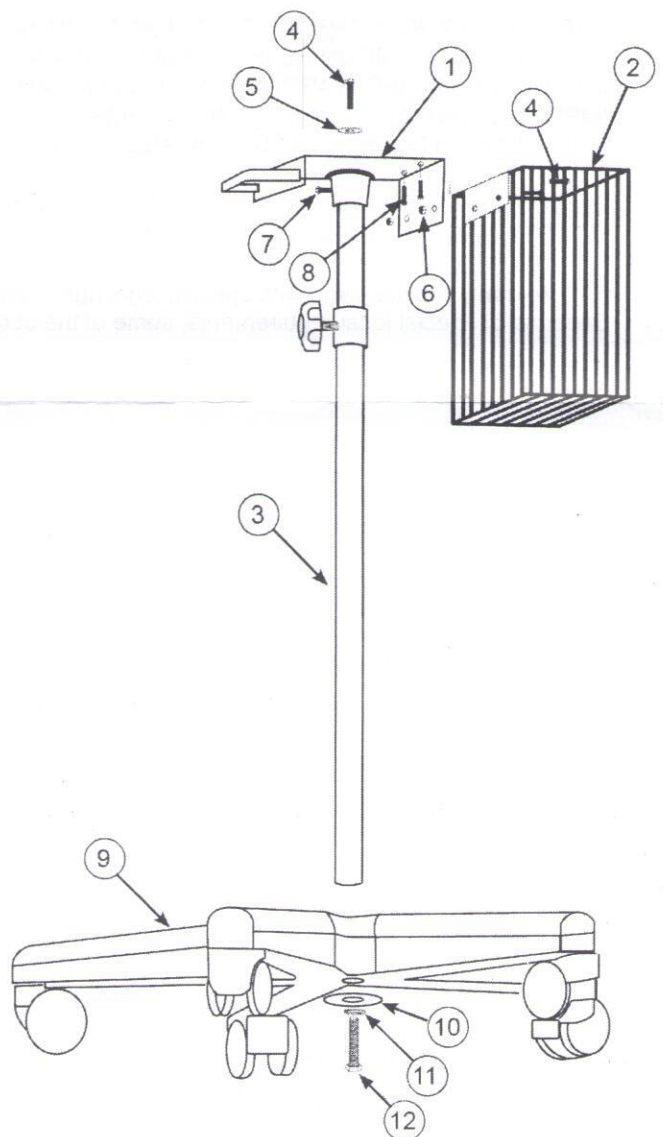
HEM-907-STAND ASSEMBLY INSTRUCTIONS

! WARNING

- | | |
|---|--|
| <ol style="list-style-type: none"> 1. Failure to assemble and/or use as directed may result in injury, and will void the user warranty. 2. Choose a level surface for assembling and using this stand. 3. Follow each step in the sequence. Do not skip ahead. | <ol style="list-style-type: none"> 4. Make sure all fasteners are secure. 5. Prior to use, test and inspect the stand to ensure smooth operation. 6. Refer to additional warning notices and information posted on the equipment. |
|---|--|

- Using firm pressure, insert the pole assembly (#3) into the center of the base (#9) assembly.
- On the bottom side of the base place the large washer (#10) on the bottom of the base followed by the lock washer (#11). Use the bolt (#12) to secure these parts into place by turning the bolt clock-wise using the supplied flat wrench.
- Insert the platform (#1) on top of the pole assembly. Install screw (#4) and washer (#5) and tighten it securely using the supplied Allen wrench. Tighten the two screws (#7) loosely until both screws touch the pole. Once the screws are touching the pole use the supplied Allen wrench to tighten.
- Attach the basket (#2) to the platform using the sut under the platform.
- Use screws (#8) to attach the instrument to the stand. Please review the instrument instructions prior to installation

Item	Description	Qty
1	Platform	1
2	Basket	1
3	Pole Assembly	1
4	Screw-Medium	3
5	Washer-Lock	1
6	Nut	2
7	Screw-Short	2
8	Screw-Long	2
9	Base W/Wheels	1
10	Washer-Large	1
11	Washer-Lock	1
12	Bolt	1



Limited One Year Warranty

This HEM-907 STAND is warranted to be free from defects in material and workmanship appearing within one year from the date of purchase, when used in accordance with assembly instructions provided with the stand. This warranty extends only to the original retail purchaser. We will, at our option, repair or replace without charge any stand covered by the warranty above. Repair or replacement is our only responsibility and your only remedy under this warranty.

To obtain warranty service contact Customer Service by calling 1-877-216-1336 for the address of the repair location and the return shipping and handling fee.

Enclose the Proof of Purchase, include a letter, with your name, address, phone number, and description of the specific problem. Pack the product carefully to prevent damage in transit. Because of possible loss in transit, we recommend insuring the product with return receipt requested.

THE FOREGOING IS THE SOLE WARRANTY PROVIDED BY OMRON IN CONNECTION WITH THIS PRODUCT, AND OMRON HEREBY DISCLAIMS ANY OTHER WARRANTIES, EXPRESSED OR IMPLIED, INCLUDING IMPLIED WARRANTIES OF MERCHANTABILITY AND FITNESS FOR PARTICULAR PURPOSE, IMPLIED WARRANTIES AND OTHER TERMS THAT MAY BE IMPOSED BY LAW, IF ANY, ARE LIMITED IN DURATION TO THE PERIOD OF THE ABOVE EXPRESS WARRANTY.

OMRON SHALL NOT BE LIABLE FOR LOSS OF USE OR ANY OTHER SPECIAL, INCIDENTAL, CONSEQUENTIAL OR INDIRECT COSTS, EXPENSES OR DAMAGES.

This warranty provides you with specific legal rights, and you may have other rights that vary by jurisdiction. Because of special local requirements, some of the above limitations and exclusions may not apply to you.

FOR CUSTOMER SERVICE

Visit our web site at:
Call toll free:

www.omronhealthcare.com
1-877-216-1336

Distributed by:
OMRON HEALTHCARE, INC.
1925 West Field Court
Lake Forest, IL 60045 U.S.A.

© 2012 OMRON HEALTHCARE, INC.

907 Stand-Inst RevF