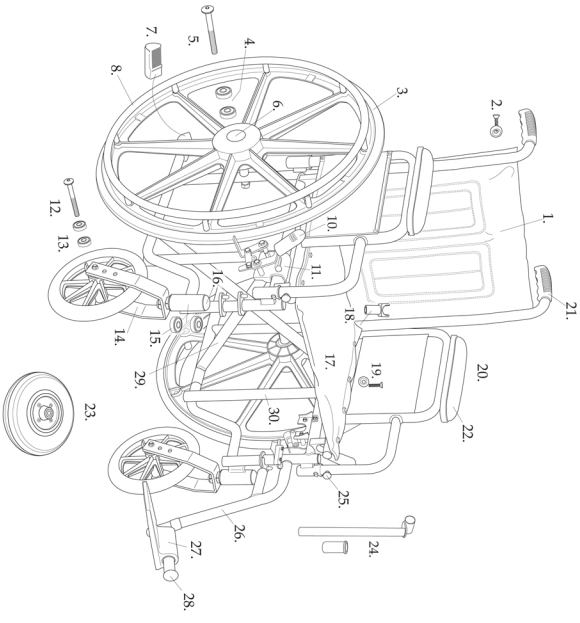


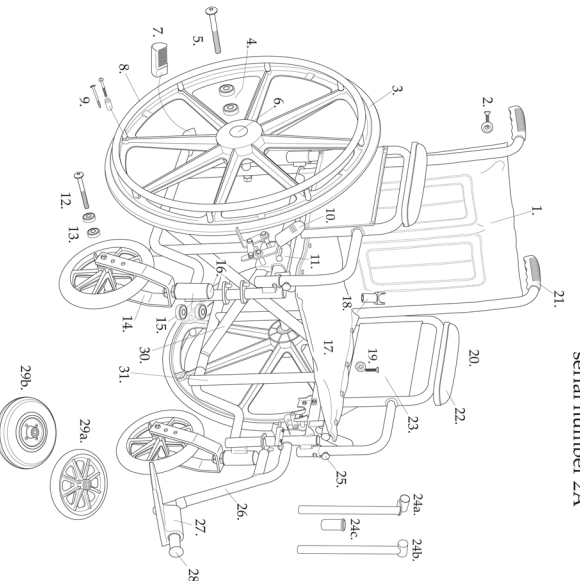
1. Back Upholstery- STDSIS2630 -20f, STDSIS2632 -22f, STDSIS2634 -24f
2. Back Upholstery Screw- STDS001071
3. Rear Wheel- STDSIS10000HD
4. Rear Axle Bearing- STDSIS1012
5. Rear Axle Bolt- STDSIS1053
6. Hub Cap- STDS1055
7. Tipping Sleeve- STDS4020
8. Hand rim- STDS00508
9. Rubber Brake Tip- STDS8M4603
10. Brake Assm- STDS4019R, right L, left
11. Front Axle Bolt- STDS8M4631
12. Front Axle Bearing- STDS1011HD
13. Front Caster Fork- STDS13045
14. Fork Stem Bearings- STDS8M4601
15. Fork Stem Cap- STDS1051
16. Seat Upholstery- STDS2A2650 -20f, STDS152652 -22f, STDS152654 -24f
17. Seat Rail Guide- STDS1070
18. Arm Assm - Desk STDSDDAECK or L
19. Seat Upholstery Screw- STDS001072
20. Arm Assm - Desk STDSDDAECK or L
21. Handgrip- STDS871
22. Arm Pad- Desk STDS2004BLK, Full STDS2005BLK
23. Caster- STDS1075-2
24. Slide Tube- STDS00200
25. Arm Release Button- STDS8B
26. Footrest- STDSF-TF
27. Footplate- STDS0004A
28. Rubber Bumper- STDS1026
29. Cross Frame 20f STDSIS2620 22f STDSIS2622 24f STDSIS2624
30. Side Frame- STDSIS262R or L



Sentra EC
serial number 1Y & 1S

08 / 04 / 10

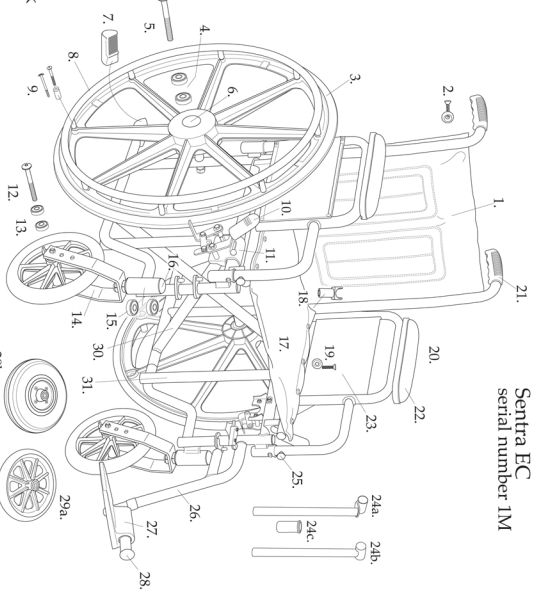
1. Back Upholstery- 14f STDS2A2604, 16f STDS2001BLK 18f STDS2003BLK, 20f STDS2006BLK 22f STDS2008BLK, 24f STDS2011BLK
2. Back Upholstery Screw- STDS001071
3. Rear Wheel- 16-20f STDS1000 (Chrome Rail) STDS1006 (Black Rail) 22-24f STDS1000HD (Chrome Rail)
4. Rear Axle Bearing- 22-24f STDS1012
5. Rear Axle Bolt- Rear 22-24f STDS1053 Front Arm STDS3020, 22&24f Chair- STDS1053
6. Hub Cap- STDS1050 for 16-20f Chairs STDS1000C for 22-24f Chairs
7. Tipping Sleeve- STDS4020
8. Hand rim- STDS004012 (Black) STDS005008 (Chrome fixed spacers)
9. Hand Rim Screws & Spacers- STDS1073
10. Rubber Brake Tip- STDS4019R, STDS4019L (right) L (left)
11. Fixed Arm- STDS2A253R (right) L (left)
12. Front Axle Bolt- STDS1002-1
13. Front Axle Bearing- STDS1011
14. Front Caster Fork- STDS3003
15. Fork Stem Bearings- STDS1060
16. Seat Upholstery- 14f STDS2A2604, 16f STDS2000BLK 18f STDS2002BLK, 20f STDS2005BLK 22f STDS2008BLK
17. Seat Rail Guide- STDS1070
18. Arm Assm - (Desk) STDSDDAECK & L (Full) STDSDDAECK & L
19. Seat Upholstery Screw- STDS001072
20. Arm Assm - (Desk) STDSDDAECK & L (Full) STDSDDAECK & L
21. Handgrip- STDS871
22. Arm Pad- Full STDS2004BLK (Full) STDS2005BLK
23. Arm Rest Panel- Desk STDS0004A, Full STDS00043
24. Slide Tube- (14-20f) STDS00200 (22-24f) STDS00250
25. Arm Release Button- STDS8B
26. Footrest- (14f) STDSF-14, (16-20f) PSTDSF-TF
27. Footplate- FW/FP-R & L (left)
28. Rubber Bumper- STDS1026
- 29a. Caster (14-20f) STDS1075
30. Cross Frame- 14f STDS2A2614, 16f STDS2A2616, 18f STDS2A2618, 20f STDS2A2620, 22f STDS2A2624, 24f STDS2A2624
31. Side Frame- (14-20f) Desk Arm) STDS2A261R & (16-18f Fixed Arm) STDS2A265R & L (22-24f) STDS2A262 R & L



Sentra EC
serial number 2A

04 / 19 / 10

1. Back Upholstery- STDSIM2626 -16f STDSIM2628 -18f, STDSIM2630 -20f STDSIM2632 -22f, STDSIM2634 -24f
2. Back Upholstery Screw- STDS001071
3. Rear Wheel- STDSIS1006 for 16-20f STDSIS1000HD for 22-24f
4. Rear Axle Bearing- (16-20f) STDS1012 12mm ID (22-24f) STDSIS1012 11mm ID
5. Rear Axle Bolt- (16-20f) STDS1005 (22-24f) STDSIS1053
6. Hub Cap- STDS1050
7. Tipping Sleeve- STDS4020
8. Hand rim- (Black) STDS004012 (Chrome) STDS005008
9. Hand Rim Screws & Spacers- STDS1073
10. Rubber Brake Tip- STDS4011
11. Brake Assm - STDS4019 R & L
12. Front Axle Bolt- (16-20f) STDS1002-1 (22-24f) STDS8M4631
13. Front Axle Bearing- (16-20f) STDS1011 8mm (22-24f) STDS1011HD 11mm
14. Front Caster Fork- (16-20f) STDS3003 (22-24f) STDS3045
15. Fork Stem Bearings- (16-20f) STDS1060 (22-24f) STDS8M4601
16. Fork Stem Cap- STDS1051
17. Seat Upholstery- 16f STDSIM2646, 18f STDSIM2648, 20f STDS2008BLK, 22f STDS2025BLK, 24f STDS2328BLK
18. Seat Rail Guide- STDS1070
19. Seat Upholstery Screw- STDS001072
20. Arm Assm - Desk STDSDDAECK & L Full STDSDDAECK & L Adj. Desk STDSADDASPR & L, Adj. Full STDSADDASPR & L
21. Handgrip- STDS871
22. Arm Pad- Desk STDS2004BLK, Full STDS2005BLK
23. Arm Rest Panel- Desk STDS0004A, Full STDS00043
24. Slide Tube- 14-20f STDS00200, 22-24f STDS00250
25. Arm Release Button- STDS8B
26. Footrest- 16-20f PSTDSF-TF, 22-24f STDSF-TF
27. Footplate- FW/FP-R & L



Sentra EC
serial number 1M

06 / 01 / 10