

Homecraft Adjustable Padded Transfer Bench

0817-05-367

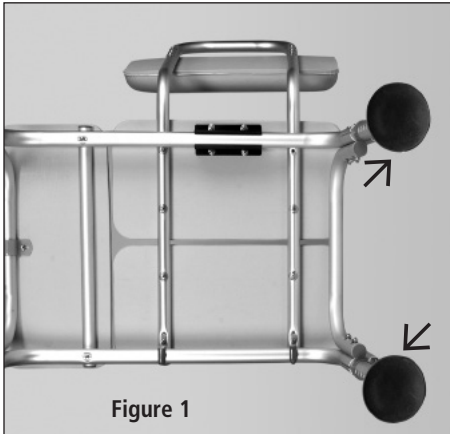


Figure 1

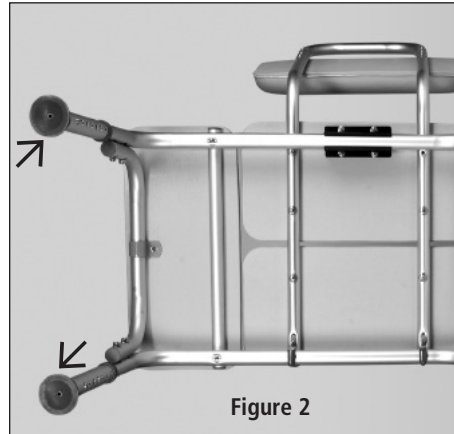


Figure 2



Figure 3

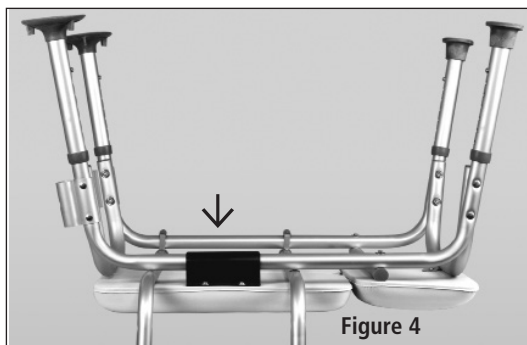


Figure 4

Illustration Keys

- A. Bench
- B. Suction-cup Leg
- C. Rubber-tip Leg
- D. Armrest
- E. Backrest



Before Assembly

Remove contents from package, making sure that all components are included and that no parts have been damaged during handling and shipping. Contact us if you find damage.

Familiarize yourself with the parts. Read the following instructions and make sure you understand them. For clarification of any step, consult a caregiver, technical professional, family or friend.

Assembly Instructions

Place top of transfer bench on an even surface. Determine the side of bench that will go into the bathtub (same side that the armrest will attach to), and on that side attach the legs that have large suction cups on the bottom. Use the push pins, depressing them and slipping leg into the frame connector on the bottom side of the bench. Follow the same steps to attach the other suction-cupped leg (Figure 1).

On the opposite side of bench, attach the legs that have small rubber tips. Depress push pins and insert one leg at a time into each of the corresponding receptacles. Make sure the legs are secure before turning over the bench (Figure 2).

The armrest should be attached on the same side of large suction-cup legs. Hold the armrest so that it curves away from the bench, and then connect it to bench by depressing the push pins, inserting the arm and releasing the pins (Figure 3).

Backrest and seat are one piece and can be reversed to change entry from right to left and vice versa. Simply position clamps on front of seat under tubing and press down on seat until clamp snaps firmly onto tubing. (Figure 4).

Position large suction-cup legs in the bath tub and adjust for individual user. To remove or reposition the legs, pull the tab on the suction cups. Check that the bench is level to be on the safe side.

Care

Use a mild cleaning product—no abrasive, scouring pads or solvents including lacquer thinner, turpentine or acetone.

Precautions

Do not exceed the user weight capacity of 300 lbs. Test for stability before use.

Ensure that all push buttons are locked in place before use.

Limited Product Warranty

Performance Health Supply, Inc. warrants that all products shall be free from manufacturing defects for a period of one year from the date of shipment. OTHER THAN THE FOREGOING WARRANTY, PERFORMANCE HEALTH SUPPLY, INC. MAKES NO REPRESENTATION OR WARRANTY OF ANY KIND, EXPRESS OR IMPLIED, AS TO MERCHANTABILITY, FITNESS FOR A PARTICULAR PURPOSE OR ANY OTHER MATTER RELATING TO THE PRODUCT. Customer must notify Performance Health Supply, Inc. of any manufacturing defect within five days of discovery of the defect. Upon a determination by Performance Health Supply, Inc. that the product is defective, Performance Health Supply, Inc. sole and exclusive obligation shall be to provide customer with a replacement product or a full refund of the purchase price, at the sole discretion of Performance Health Supply, Inc., and to reimburse customer for any return freight costs. In no event shall Performance Health Supply, Inc. be liable for any other costs or expenses including lost profits or direct, indirect, consequential, incidental or punitive damages. The warranty set forth herein shall govern all purchases, notwithstanding any inconsistent terms and conditions of customer's purchase order.

**PERFORMANCE
HEALTH**

Distributed by:
Performance Health Supply, Inc.
28100 Torch Parkway,
Ste. 700
Warrenville, IL 60555, USA
Phone: 800-323-5547
Direct Phone: 630-393-6000
Fax: 800-547-4333
Direct Fax: 855-393-7600

Manufactured for:
Performance Health Supply, Inc.
W68 N158 Evergreen Blvd.
Cedarburg, WI 53012, USA
Phone: 800-323-5547
Fax: 800-547-4333

**Authorized European
Representative**
Performance Health
International, LTD.
Nunn Brook Road
Huthwaite, Sutton-in-Ashfield
Nottinghamshire, NG17 2HU, UK

United Kingdom
Phone: 03444 124 330
Fax: 03448 730 100
International
Phone: +44 (0) 1623 448 706
Fax: +44 (0) 1623 448 784
Rev. December 2016
© Performance Health Supply, Inc.
081706332