



R6 RECUMBENT BIKE

SKU: CT-R6



Convenient walk-through design



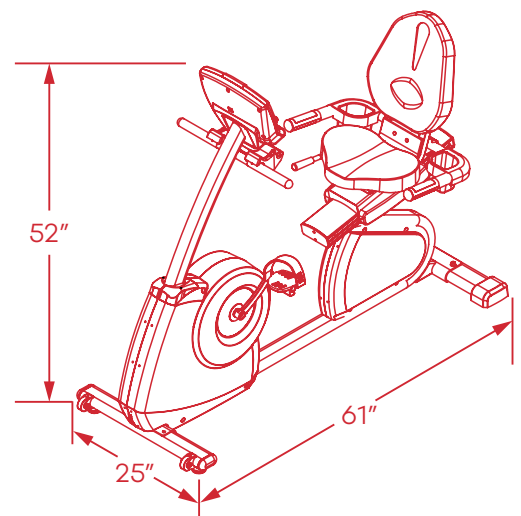
Intuitive, LED console with reading rack/tablet holder



Easy-glide, 13-level adjustable seat

STANDARD FEATURES

- Cordless - self-powered.
- Ergonomic, over-sized pedals and adjustable straps.
- Space saver - small footprint.
- Contact and telemetric heart-rate sensors.
- Convenient reading rack/tablet holder.
- Easy-glide, 13-level adjustable seat.
- Walk-through design.
- Zinc-dipped anti-corrosion coating for superior rust protection.
- Full commercial components on a durable commercial frame.



TECHNICAL AND CONSOLE SPECIFICATIONS

TECHNICAL SPECIFICATIONS	PEDAL SPACING	9.5 in (24 cm)
	DRIVE SYSTEM	Self-Generating Electric Hybrid with Flywheel
	RESISTANCE LEVEL	16 levels
	RESISTANCE SYSTEM	Magnetic
	MAXIMUM USER WEIGHT	400 lbs (181.4 kgs)
ELECTRICAL SPECIFICATIONS	POWER REQUIREMENT (R6)	Self Generation
	MAXIMUM WATT @ 60 RPM	250W
	MINIMUM WATT @ 60 RPM	20W
	MINIMUM RPM (E6)	30 RPM
FRAME	FRAME MATERIAL	Zinc-dipped, powder-coated steel frame
	COLOR OPTIONS	Jet Black
	NET WEIGHT OF FRAME & CONSOLE	165.5 lbs (75.2 kgs)
	PACKAGED WEIGHT	176.9 lbs (80.4 kgs)
DIMENSIONS	EQUIPMENT DIMENSIONS	61 (L) X 25 (W) X 52 (H) in / 1550 (L) X 630 (W) X 1320 (H) mm
	PACKAGING DIMENSIONS	66 (L) X 13 (W) X 29 (H) in / 1670 (L) X 320 (W) X 730 (H) mm
DISPLAY AND CONNECTIVITY	SCREEN	8x16 Dot-Matrix w/ Message Window + HR Status Bar
	LANGUAGE OPTIONS	English
	PRE-PROGRAMMABLE WORK OUTS	Yes, 10
	QUICK START OPTIONS	Yes
	CSAFE	Optional
	HEART RATE (HR) DETECTION	Hand Pulse (5kHz Wireless)