

# MedCline LP

Part Number: 1439-02

## Congratulations on purchasing MedCline LP!

You are one step closer to finally enjoying a good night's sleep. Quality sleep plays a vital role in good health, physical and mental well-being, and quality of life. We truly hope that MedCline LP brings the relief that you are seeking, as it has for thousands of other satisfied customers.

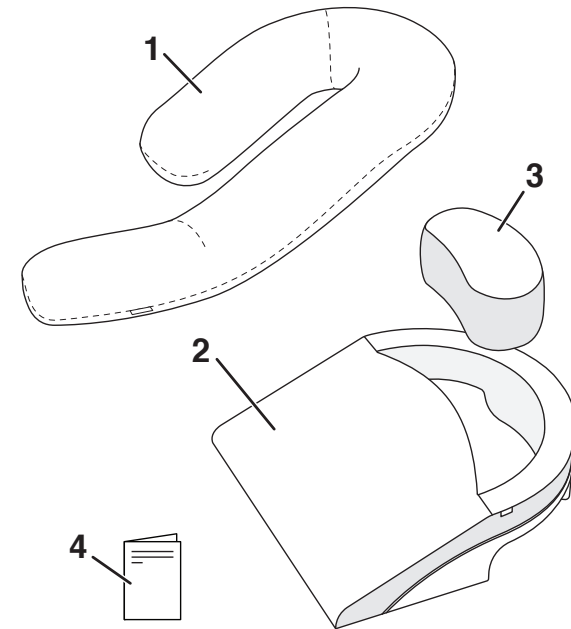
Please read through this Comfort Guide to learn how to set up your MedCline LP, as well as for comfort tips to help you adjust to the new sleep position for maximum comfort and relief.



If you have questions about MedCline LP, please call  
1-858-605-1747 (US).

### Box Includes:

1. Body Pillow
2. Base Wedge
3. Insert Pillow
4. Comfort Guide



## MedCline LP

[www.MedClineLP.com](http://www.MedClineLP.com)



Manufacturer:

**AMENITY HEALTH, INC.**

8825 Rehco Road Suite D.  
San Diego, California 92121 U.S.A.



EC REP

**EMERGO EUROPE**

Prinsessegracht 20  
2514 AP The Hague  
The Netherlands

Australian Sponsor:

**EMERGO AUSTRALIA**

Level 20, Tower II  
Darling Park 201 Sussex Street  
Sydney, NSW 2000 Australia

Amenity Health<sup>®</sup>  
©2019 - All Rights Reserved  
IFU-1757 v3

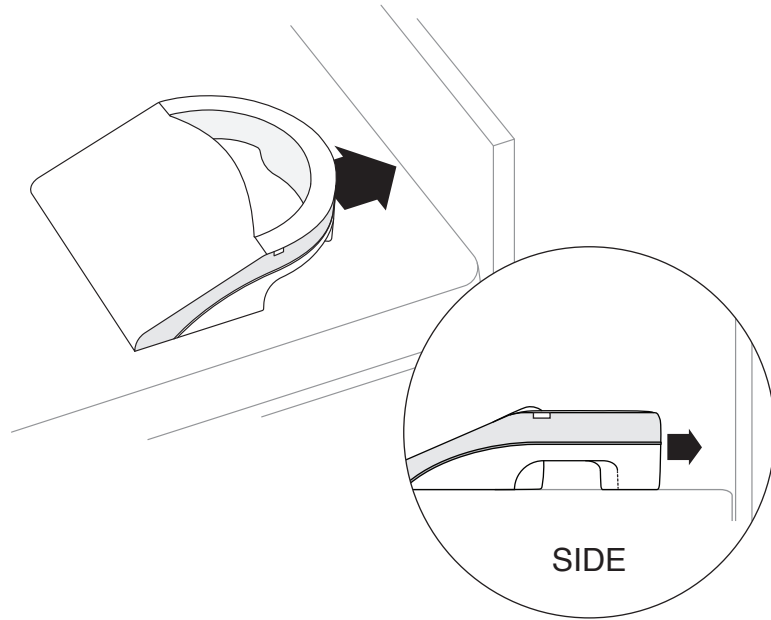
Amenity Health, Inc.  
8825 Rehco Road, Suite D.  
San Diego, CA 92121

**NOTE:** Foam components have been compressed for shipment. Please allow up to 24 hours after opening for full shape recovery and for natural, new foam smell to dissipate.

[www.MedClineLP.com](http://www.MedClineLP.com)

## Setup and Assembly

- 1 Place the Base Wedge on either side of the bed, as illustrated below.



If you did not purchase this Amenity Health MedCline LP™ directly from Amenity Health, proof of purchase will be required to demonstrate that you are the original purchaser and eligible to make a valid claim under this Warranty. If original proof of purchase is not provided by the Purchaser, Amenity Health reserves the right to determine if the unit is covered, or is not covered, by this warranty and may use the manufacturing date as the warranty commencement date.

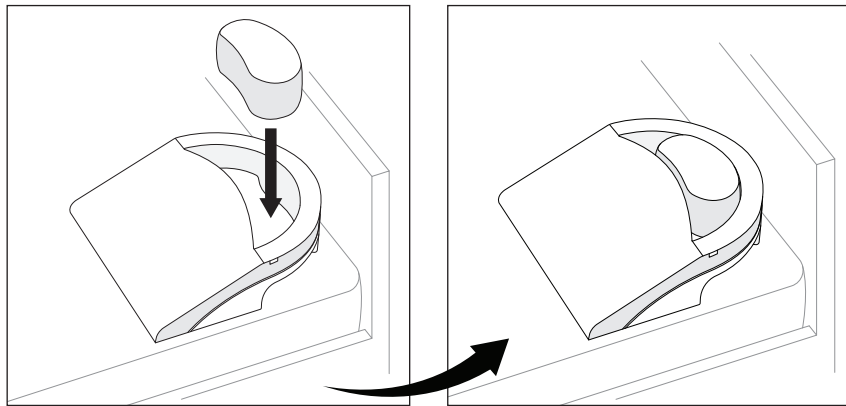
The decision to repair or to replace defective parts under this Limited Warranty shall be made by Amenity Health at its option and at its sole discretion. There is no warranty at all after one year, dating from commencement of this Limited Warranty.

AMENITY HEALTH SHALL NOT BE LIABLE FOR INCIDENTAL OR CONSEQUENTIAL DAMAGES RESULTING FROM THE USE OF THIS PRODUCT OR ARISING OUT OF ANY BREACH OF THIS WARRANTY. THE EXCLUSIVE REMEDY FOR BREACH OF THIS WARRANTY SHALL BE REPLACEMENT OR CREDIT TOWARDS REPLACEMENT AS SET FORTH HEREIN. THERE ARE NO EXPRESS OR IMPLIED WARRANTIES, INCLUDING IMPLIED WARRANTIES OF MERCHANTABILITY AND FITNESS FOR A PARTICULAR PURPOSE, OTHER THAN THE WARRANTY DESCRIBED ON THE FACE OF THIS LIMITED WARRANTY.

Some states do not allow the exclusion or limitation of incidental or consequential damages, so the above limitation or exclusion may not apply to every purchaser. This warranty gives the purchaser specific legal rights, and the purchaser may also have other legal rights, which may vary from state to state. This warranty is valid in all 50 states, Puerto Rico and Canada.

If you, the Purchaser, experience any problem with your MedCline LP™ during the warranty period, please contact Amenity Health's Customer Service Department by calling 1-858-605-1747 or by sending an email to [info@amenityhealth.com](mailto:info@amenityhealth.com).

- 2 Place the Insert Pillow into the inner cavity of the Base Wedge.  
(Compressed Insert Pillow will require shaking and re-fluffing to regain shape.)



## Warranty Information

### Limited Warranty for MedCline LP

AMENITY HEALTH INC (“AMENITY HEALTH”) WARRANTS THAT IT WILL, AT AMENITY HEALTH’S OPTION, REPLACE OR REPAIR PURCHASER’S MEDCLINE LP™ DEVICE IF IT IS DEFECTIVE DUE TO FAULTY WORKMANSHIP OR MATERIALS, SUBJECT TO THE LIMITATIONS DESCRIBED IN THIS WARRANTY. AMENITY HEALTH UNDERTAKES NO RESPONSIBILITY FOR THE QUALITY OF THE GOODS EXCEPT AS OTHERWISE PROVIDED IN THIS CONTRACT. THERE ARE NO WARRANTIES THAT EXTEND BEYOND THE DESCRIPTION ON THE FACE THEREOF.

#### 1 YEAR: FULL COVERAGE OF PARTS AND LABOR

MedCline LP™ is warranted against defects in the workmanship or materials for a period of one (1) year from the warranty commencement date. Upon notice during the first year from the warranty commencement date, Amenity Health will send replacement parts to the Purchaser, at no cost, in order to replace any such defective part. In addition, Amenity Health will pay all authorized labor and transportation costs associated with the repair or replacement of any parts which Amenity Health determines to be defective. This one (1) year warranty shall not apply if the purchaser does not return any and all defective parts to Amenity Health within 15 days of Purchaser’s receipt of such replacement parts furnished.

In no instance will this warranty cover any damage attributable to misuse or to normal wear and tear or to excessive weight placed upon the product. Nor will this warranty cover any purchaser other than the original purchaser nor will it cover product purchased from an unauthorized third party. If you are not the original purchaser of this product, you take “as is” and “with all faults.” If you did not purchase this Amenity Health MedCline LP™ directly from Amenity Health we will require proof of purchase from you demonstrating that you are the original purchaser and are eligible to make a valid claim under this Warranty.

#### ADDITIONAL TERMS AND CONDITIONS

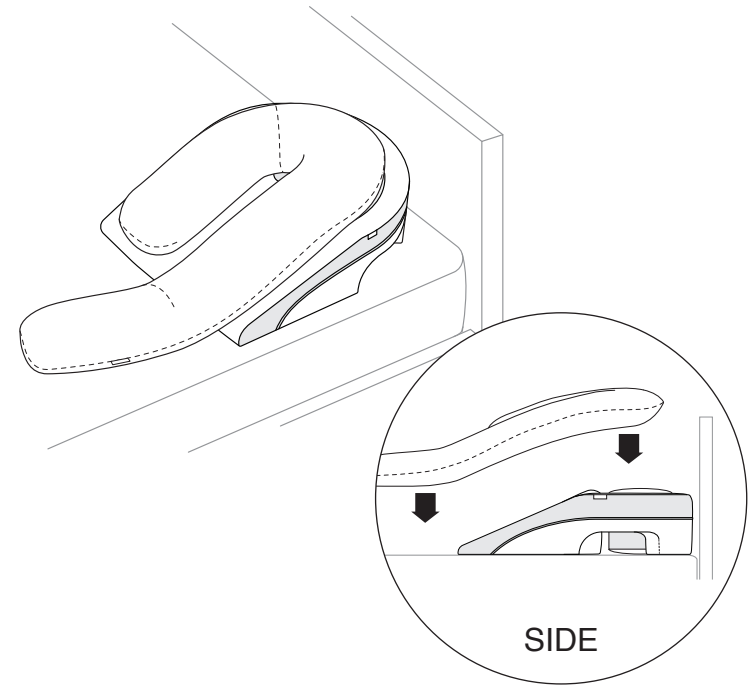
This warranty does not include coverage for damage caused by the Purchasers or by other users if the product has been used in a manner inconsistent with the operation and maintenance procedures outlined in the Instructions for Use, this Warranty, or any other applicable document published or approved by Amenity Health. Nor does it include coverage if the product has been repaired or modified by the Purchaser or by an unauthorized third party or if the product has been damaged in transit. If the recommended weight restrictions are not followed, this warranty is void. Replacement parts may be new or reconditioned at Amenity Health’s discretion. There is no warranty at all after one year, dating from commencement of this Limited Warranty.

#### ADDITIONAL LIMITATIONS ON WARRANTY COVERAGE

In the event a warranty claim is filed and a warranty replacement is deemed necessary, purchaser will be required to surrender the original product, including any components, to Amenity Health at the time of the replacement. Repairs to or replacement of the Amenity Health MedCline LP™ or its components under the terms of this Limited Warranty will apply to the original warranty period and will not serve to extend such period. This warranty begins on the “warranty commencement date” which is the date of purchase for new unused products.

# 3

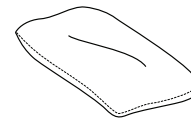
Place the Body Pillow on top and in the center of the Base Wedge, as shown.



**NOTE:** MedCline LP can be used with a variety of pillow types.

Some users find that using their own, familiar pillow is a good alternative as they are getting used to the new sleep position, but the use of the Body Pillow will provide the most lateral support.

Standard  
Pillow



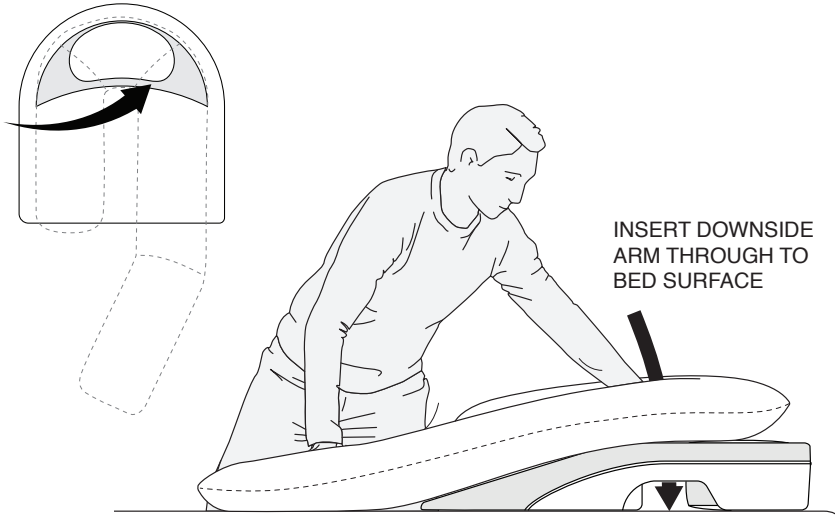
Contour  
Neck Pillow



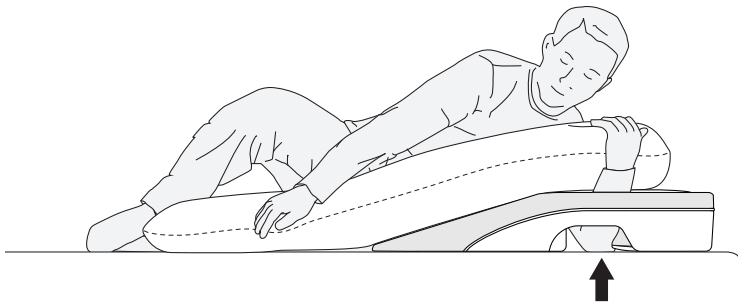
## Proper Positioning

---

- 1** Insert your downside arm into the space between the Insert Pillow and the Base Wedge.



- 2** Lie down while allowing your elbow to descend and ultimately rest on the bed surface. Once your body has settled, your downside arm and shoulder should no longer be supporting your weight.



## Care Instructions

---

- !** Follow label instructions for specific washing and drying recommendations for each component.

All outer covers are removable and machine washable. The undercovers should be wiped clean with a damp cloth only. The internal portions of the Insert Pillow and the Body Pillow are spot clean only. The foam inside the Base Wedge cannot be machine washed or dried.

## Questions and Feedback

---

To contact Amenity Health with questions or feedback regarding the use of MedCline LP, please contact us at:



**1-858-605-1747**

**support@medcline.com**

## Use Instructions and Recommendations

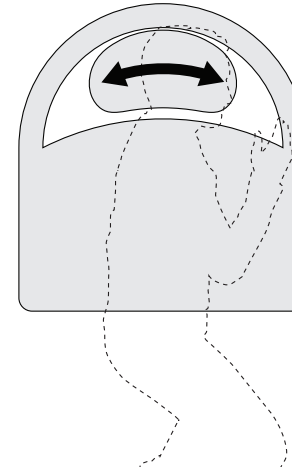
---

### EXPERIMENT TO FIND WHAT WORKS BEST FOR YOU:

Please keep in mind that it is perfectly normal to take time to adjust to the new sleep position created by MedCline LP. To maximize comfort, we encourage you to experiment to find what works best for you.

Feel free to try your arm in different positions; try sleeping with another pillow between your knees; or try with different head pillows with varying heights. If you would like suggestions, give us a call at 858-605-1747. We offer our 100-night Guarantee to give ample time to find the ideal position that works best for you.

- 3** The Insert Pillow is designed to move within the cavity of the Base Wedge. Move to add support where you need it.



INSERT PILLOW IS DESIGNED TO MOVE WITHIN THE CAVITY

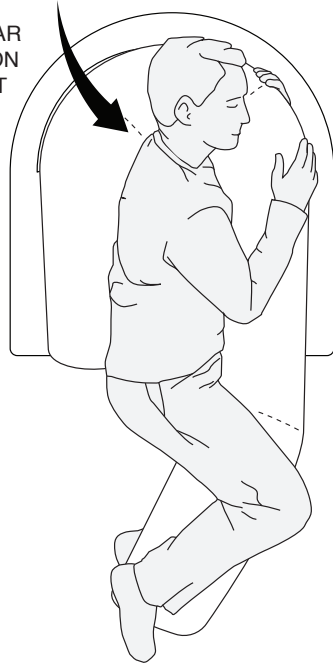
- 4** Ensure that your arm is straight down inside the pocket so there is no pressure on your armpit or underside of your downside arm. You may need to scoot up the incline to accomplish this.



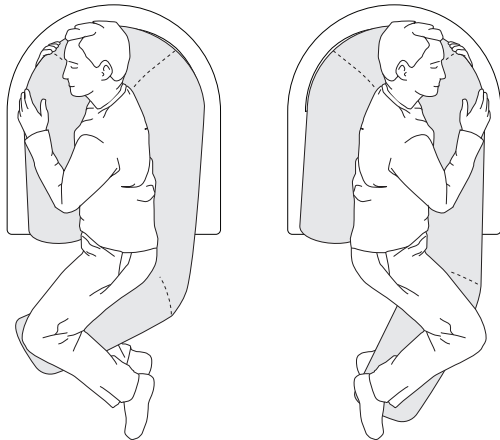
SCOOT UP THE WEDGE TO RELIEVE ANY UNDERARM PRESSURE THAT MAY PREVENT PROPER CIRCULATION TO YOUR ARM

**5** Like any new sleeping arrangement, some time may be required to get used to MedCline LP. Try various positions until you are comfortable and able to relax.

MOVE PILLOW TO FAMILIAR OR PREFERRED LOCATION TO PROPERLY SUPPORT HEAD AND NECK.

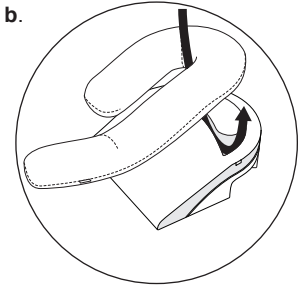
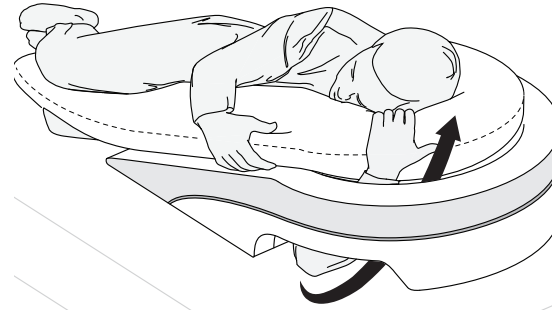


**NOTE:** The long limb of the Body Pillow can be used in front of you or behind you in both the left-side down and right-side down positions.



**6** Find a comfortable position for your hands and arms using either position **a** or **b** shown below:

**a** This position is recommended, if you find yourself sliding down or if your hand falls asleep in position **b**.



**b** This position is recommended, if you have longer arms or otherwise feel restricted in position **a**.

