



This manual has been prepared for the owners and operators of the ARMEDICA™ AM-700 Series Parallel Bars and contains installation instructions, precautionary instructions and maintenance procedures for the following model numbers:

**AM-700, AM-707, AM-710,
AM-711, AM-712, AM-714,
AM-715, AM-716**



AM-700 SERIES PARALLEL BARS

ELECTRIC PARALLEL BARS INSTALLATION

AM-700

1. Remove platform (1) from crate using handles attached to mounting brackets. (See item #66 on AM700 installation diagram). 4 people are required. (9). Set the platform on supports to get it off the floor far enough to allow access to the bottom of the platform while installing control stand.

DO NOT LIFT OR SUPPORT BY END RAMPS OR COLUMNS!!

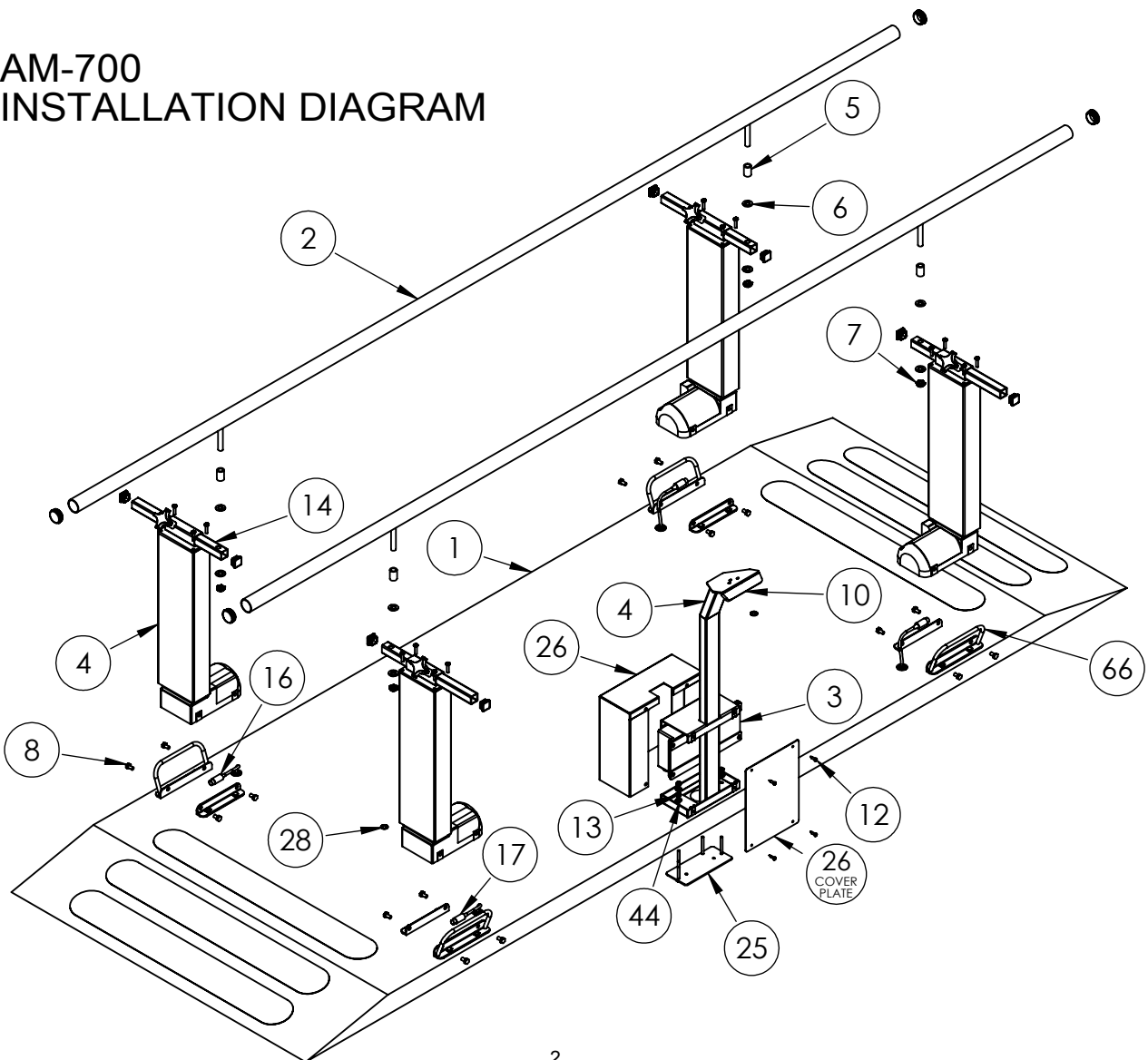
2. Place the four upright columns (4) between the brackets on the platform according to letter designations (9) and tighten the mounting bolts (8) securely.
3. Install the hand rails (2) onto the adjustment tubes (14) using spacer (5), washers (6), and lock nut (7); tighten the lock nut (7), sufficiently, to eliminate any play but not so tight that they will not pivot when adjusting the width. When necessary, adjust the width according to the operating instructions.
4. Remove the cover plate from box (26) to allow access to inside of control stand (11). Using washers (44), and nuts (13), mount the control stand (11) to the platform (1), threading controller power cable, and connector cables (16, 17) through appropriate holes.
5. With screws (12) and cover plate (26) removed, connect the controller (3) per the following instructions.

DO NOT CONNECT THE CONTROL BOX TO POWER SOURCE BEFORE READING THESE INSTRUCTIONS OR DAMAGE MAY OCCUR!!!

- Connect the four cables (16) and (17) (DIN8 connectors) to the appropriate column (4).
- Connect the four cables (16) and (17) (DIN8 connectors) to the controller (3).
- **The cables must be fully inserted so the arrows are completely inside the control box receptacle or the legs will malfunction and may cause permanent damage.**
- Verify that the control switch (10) cable with a blue DIN7 socket marked with a blue "HS" is properly connected to the controller (3).
- Verify that the required supply voltage indicated on the type plate corresponds with the supply voltage of the electrical outlet.
- Connect the unit to the electrical outlet.

ITEM NO.	PART NO.	DESCRIPTION	QTY
1	14601	PLATFORM	1
2	18628	STAINLESS STEEL RAIL ASSEMBLY	2
3	03182	TMD CONTROLLER/POWER SUPPLY	1
4	03181	TMD COLUMN	4
5	13056	SPACER BUSHING	4
6	03165	NYLON WASHER 1/2 ID	8
7	02095	NUT NYLOCK JAM 1/2-13	8
8	02031	HEX HEAD SCREW 8MM-1.25X14Z	16
9	12633	COLUMN MOUNTING BRACKET	8
10	03183	CONTROL SWITCH	1
11	18672	CONTROL STAND	1
12	02131	PAN HEAD PHILLIPS SCREW 10x3/4	4
13	02100	NYLOCK NUT 1/4-20	4
14	11601	RAIL ADJUSTMENT TUBE 1x1x14GAx13	4
16	03184	CABLE CONNECT LONG	2
17	03185	CABLE CONNECT SHORT	2
25	28040	BRKT PLL PLTFRM CNTRL STND MNT PNTD	1
26	03078	SHEET METAL BOX WITH COVER PLATE	1
44	02140	WASHER 1/4	4
66	28042	BRKT PLL COLMN MNT W/HNDL PNTD	4

AM-700 INSTALLATION DIAGRAM



ELECTRIC PARALLEL BARS OPERATING INSTRUCTIONS

AM-700

SETTING THE PARALLEL BAR HEIGHT

- Press the up arrow to raise the parallel bars.
- Press the down arrow to lower the parallel bars.
- The current height of the bars appears on the display.

SAVING THE MEMORY POSITIONS

This function makes it possible to save a particular height setting. Four different heights may be saved. These saved positions can be used later.

- Press (S) – an 'S' appears on the display. Press and hold one of the position buttons (1, 2, 3 or 4). After pressing the position button, the number of the position button will appear on the display next to the 'S'.
- After saving, a double click is heard and the current height re-appears on the display after two seconds.

USING THE MEMORY POSITIONS

- While holding down the desired memory position button, the bars will move toward the predefined position and stop.

ADJUSTING THE WIDTH OF THE PARALLEL BARS

- Turn knobs to release adjusting tubes and set to desired width.
- Make sure adjusting tube knobs are securely tightened before use.

SYNCHRONIZATION AND CALIBRATION

UNPLUG POWER CORD BEFORE DISCONNECTING ANY OTHER CABLES

- This unit has been initialized by Armedica Manufacturing Corp. prior to shipment and should not need to be synchronized again unless a column or control box is replaced. If it becomes necessary, follow these steps:
- Bring the columns to the fully retracted position by holding the down button on the switch until they stop retracting.
- Release and press the down button again and hold for 30 seconds. The columns should retract again slightly while the switch is held and then extend slightly.
- The height display on the switch should read 26 in the lowest position. In the event that it is incorrect, raise the columns to the uppermost position then lower them all the way down.
Press the green "set" button. An "S" will appear in the display. Hold the "down" button for 5 to 10 seconds. The display will begin to flash. Release the "down" button and press it again to make the display read 26. press the "set" button again to save the calibration.

In the event that the synchronization fails or for any other issues contact the service department at Armedica Manufacturing.

MAINTENANCE

The ARMEDICA™ Hi-Lo Electric Parallel Bars are equipped with maintenance free electric motors.

The moving parts of the unit should have a drop of oil placed on them approximately every six months.

Frequently check to make certain that all hardware (nuts, bolts, etc.) are properly adjusted and securely fastened.

In the event it becomes necessary to replace the control box or a column on the AM-700 model, disconnect power prior to removal, and make certain the plugs are completely inserted into the sockets prior to reconnecting power.

The laminated platform and painted or plated components should be cleaned with mild soap and water and wiped with a dry cloth to remove dust and dirt when necessary. The Stainless Steel Rails can be wiped with a commercial brand stainless steel cleaner.

SYMBOLS AND INDICATORS



Attention: Consult accompanying documents.



Type B Equipment: "An adequate degree of protection against electric shock is provided, particularly regarding leakage currents .



No ground pin is necessary. This unit is double insulated. It is constructed with two layers of electrical insulation between the user and the electrical system. It can be plugged into any conventional 120 volt electrical outlet.

TROUBLE SHOOTING

ELECTRIC POWERED COLUMNS DO NOT WORK.

- A. Check to see if the control cables are properly plugged into the control box, and if the power cord is plugged into the electrical outlet.
- B. Make sure electrical outlet is getting power.
- C. In the event the columns become unsynchronized, contact customer service at Armedica Mfg. If there is a failure of one or more of the columns, the control box and the columns must be returned to Armedica Mfg. Corp. Only the manufacturer can service the unit.

POWER AM-700 SPECIFICATIONS

Magnetic Corp., Olney, Illinois 62450
Model LD-014.208.300
Rated Voltage and Frequency 120V 60HZ.
Current 6 Amps.
4 Columns 24 volt DC

LIFTING CAPACITY:

AM-700
400 lbs (181 Kilograms)

PLATFORM MOUNT MANUAL PARALLEL BARS INSTALLATION

AM-707, AM-710

1. Remove platform (49) from crate. **DO NOT LIFT OR SUPPORT BY END RAMPS!!**
2. Set the platform on supports to get it off the floor far enough to allow access to the carriage bolts (45) during installation of the four upright supports.
3. Remove the retaining nuts and cap retainer washers from mounting bolts.
(Non locking nuts used for shipping only)
4. Locate the four upright supports (42) and place on the platform (46) according to letter designations, with the height adjustment knobs facing outward as shown on page 8. Hold carriage bolts in place from the bottom of platform, if necessary, to install upright supports, cap retainer washer (47), and lock nut (7). NOTE: The square portion of the carriage bolts must be properly seated on the bottom of the platform to reach completely through the platform, support plate, washer and lock nut.
5. Tighten all lock nuts securely and install plastic bolt covers (48).
CAUTION: Do not over tighten or carriage bolts may pull too far through platform.
6. Place the handrails into position in the adjustment tubes and tighten the setscrews (38).

FLOOR MOUNTED PARALLEL BARS INSTALLATION

AM-711, AM-712

NOTICE: Armedica does not supply floor mounting hardware. A qualified professional should install the Floor Mounted Parallel Bars using hardware appropriate for the flooring material. Reference the floor layout drawing on page 9 to position the parallel bar support assemblies on the floor.

MANUAL PARALLEL BARS OPERATING INSTRUCTIONS

AM-707, AM-710, AM-711, AM-712

ADJUSTING THE WIDTH AND HEIGHT OF THE PARALLEL BARS

- Turn knobs to release adjusting tubes and set to the desired width.
- Make sure adjusting tube knobs are securely tightened before use.

PRECAUTIONS

CAUTION: When lowering or raising the parallel bars, keep hands and feet away from the moving parts.

CAUTION: Do not adjust the width or height of the parallel bars with the patients weight on the parallel bars.

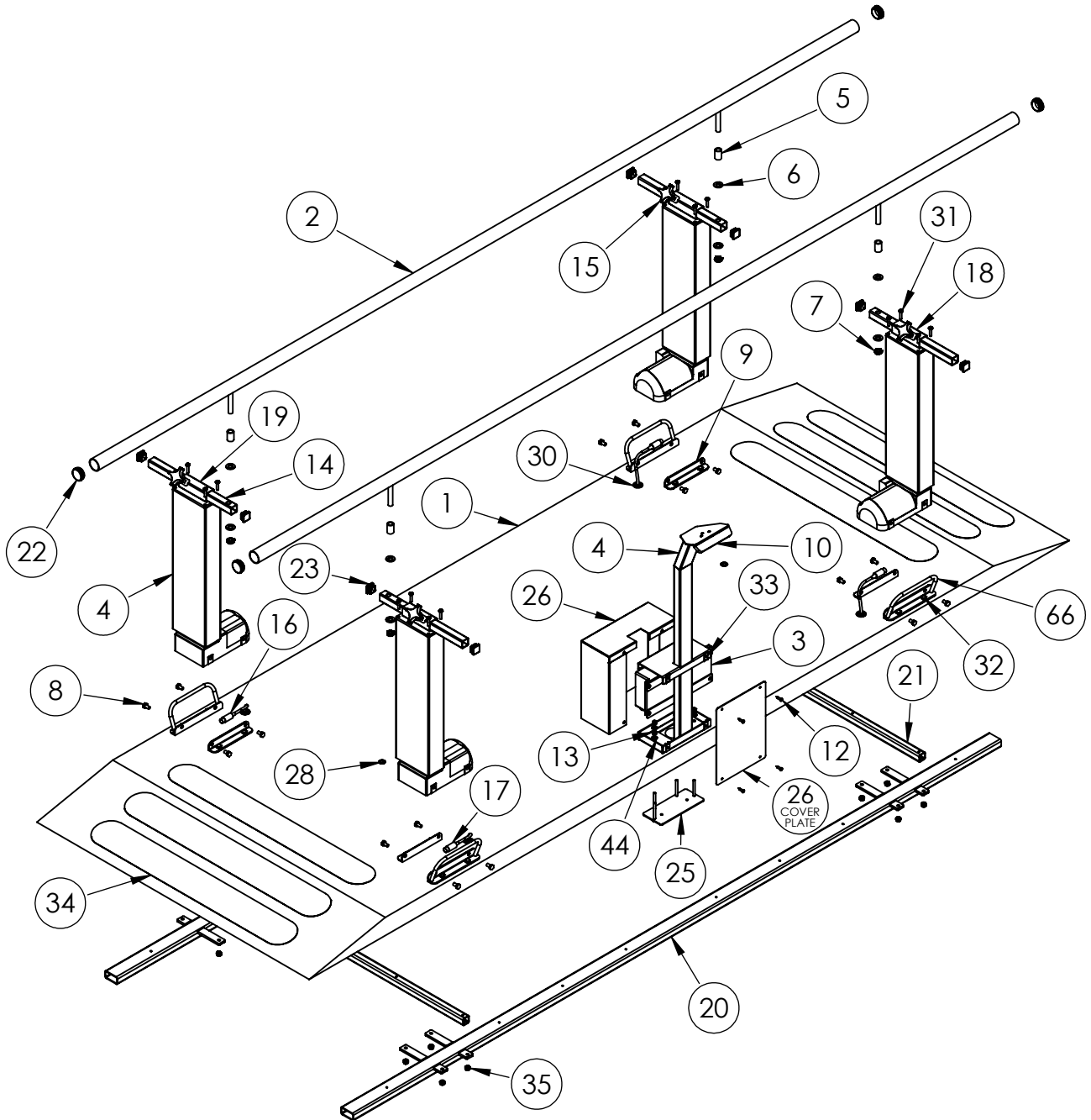
CAUTION: Make certain the parallel bar height and width adjusting mechanisms are secure before use.

The motor is double insulated for protection from EMI. This equipment has been tested and found to comply with the limits for medical devices to the IEC 60601-1-2: Third edition 2007-03. These limits are designed to provide reasonable protection against harmful interference in a typical medical installation. This equipment generates, uses and can radiate radio frequency energy and, if not installed and used in accordance with the instructions, may cause harmful interference to other devices in the vicinity. However, there is no guarantee that interference will not occur in a particular installation. If this equipment does cause harmful interference to other devices, which can be determined by turning the equipment off and on, the user is encouraged to try to correct the interference by one or more of the following measures:

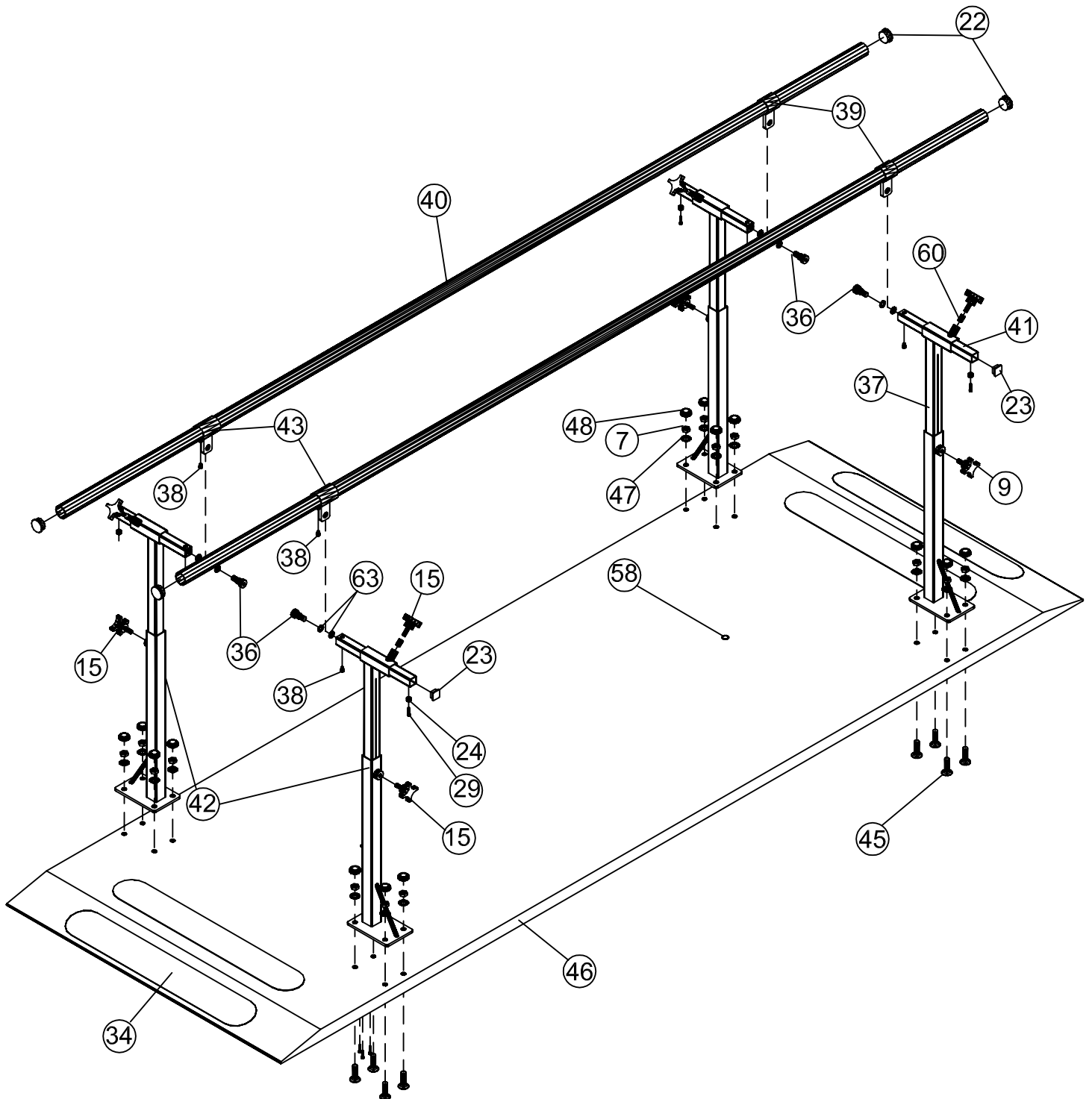
- Reorient or relocate the receiving device.
- Increase the separation between the equipment.
- Connect the equipment into an outlet on a circuit different from that to which the other device(s) are connected.
- Consult the manufacturer or field service technician for assistance.

PARTS LIST				
<u>ITEM NO.</u>	<u>PART NO.</u>	<u>DESCRIPTION</u>	<u>QTY power</u>	<u>QTY manual</u>
1	14601	PLATFORM ELECTRIC PARALLEL BAR	1	
2	18628	HAND RAIL ELECTRIC PARALLEL BAR	2	
3	03182	CONTROLLER/POWER SUPPLY TMD	1	
4	03181	LIFTING COLUMN AUTOMATIC PARALLEL	4	
5	13056	CONTROL ROD BUSHING 3/4"ODx1-1/8	4	
6	02165	NYLON WASHER 1/2 ID	8	
7	02095	NYLOCK JAM NUT 1/2-13	4	16
8	02031	HEX HEAD SCREW 8MM-1.25x14Z	16	
9	12633	ANGLED COLUMN MOUNT 1x1x6-1/4	8	
10	03183	CONTROL SWITCH TMD	1	
11	18672	CONTROL STAND	1	
12	02131	PAN HEAD PHILLIPS SCREW 10x3/4	4	
13	02100	NYLOCK NUT 1/4-20	8	
14	11601	RAIL ADJUST TUBE 1x1x14GAx13 PLL	4	
15	03071	KNOB WITH STEM 2-1/4x3/8-16x1	4	8
16	03184	CABLE TMD CONNECT LONG	2	
17	03185	CABLE TMD CONNECT SHORT	2	
18	18593	BRACKET PLL RAIL RIGHT BLACK	2	
19	18598	BRACKET PLL RAIL LEFT BLACK	2	
20	18639	BASE TUBE 1x2x11GAx103-3/16 PLL	2	
21	11749	PLATFORM TUBE 1x1x11GAx30.5	2	
22	03014	PLUG ROUND CAP 1-1/2DIAx14-20	4	4
23	03010	PLUG 1x1x14GA	10	4
24	02146	SPACER 5/16 X 3/16 ID x 1/2 OD	4	4
25	28040	BRKT PLL PLTERM CNTRL STND MNT PNTD	1	
26	03078	BOX WITH COVER 4X7-1/2X13X14GA	1	
27	02114	HEX HEAD CAP SCREW 1/4-20x3/4	4	
28	18665	PIN GUIDE	2	
29	02007	HEX WASHER HEAD SCREW #8x3/4	4	
30	02148	NYLON BUSHING PLL	4	
31	03021	TAPTITE SCREW M6X40	16	
32	02181	HEX HEAD CAP SCREW 5/16-18x2-1/2	16	
33	02132	NUT U TYPE #10 (.025/.150)9/16 CENTER	4	
34	14607	STEP DECAL PLL SAFETY TRK 4x31 CUT	6	4
35	02105	NYLOCK NUT 5/16-18	16	
36	02022	SHOULDER BOLT 5/8x1/2		4
37	18589	TUBE MANUAL ADJUST PLL UPPER		4
38	03166	SET SCREW 1/4-20x1/4		6
39	18583	BRACKET MANUAL ADJUST PLL RAIL SLV		2
40	11602	TUBE STN LSS PLL MAN 1-1/2ODx14GAx10		2
41	18587	TUBE 1x1x11 PLL RAIL ADJ		4
42	18581	BASE MANUAL ADJUST PLL		4
43	18585	BRACKET MAN ADJ PLL RAIL SLV LOCK		2
44	02140	WASHER 1/4	4	
45	02116	CARRIAGE BOLT 1/2-13x1-3/4		16
46	14600	MANUAL ADJUST PLATFORM		1
47	03011	FINISH CAP WASHER		16
48	03012	BLACK BOLT COVER FINISH CAP		16
49	02044	HEX HEAD CAP SCREW 1/4-20x1-1/4	2	2
50	14603	ABDUCTION BOARD 3/4X5X94	1	1
51	18668	ABDUCTION BOARD PIN BRACKET	2	2
52	04705	LADDER ASSEMBLY (3ea 14602 .11ea 14606)	OPTIONAL	OPTIONAL
53	14602	LADDER NOTCHED BOARD 1X4X84	3	3
54	14606	LADDER CROSS SECTION 3/4X4X13-1/4	11	11
55	18659	LADDER GUIDE BAR PIN BRACKET	2	2
56	13003	PIN 2-3/8 FROM MODIFIED 3/8-16x3 SCREW	2	2
57	14604	BALANCE BEAM 2-1/2X5X80	OPTIONAL	OPTIONAL
58	18663	MANUAL PARALLEL PIN GUIDE		2
59	02063	HEX WASHER HEAD #10X3/4 SCREW	34	6
60	13601	PLUNGER 1/2 DIA. X .75	4	4
61	03173	HITCH PIN CLIP 1/16X1-3/16	6	6
62	03163	CLEVIS PIN 1/4x1-1/4	6	6
63	02167	NYLON WASHER 5/8		8
64	02200	CABLE CLAMP 3/16	20	
65	02084	NYLOCK NUT 1/4-20 THIN PATTERN		
66	28042	BRKT PLL COLMN MNT W/HNDL PNTD	4	

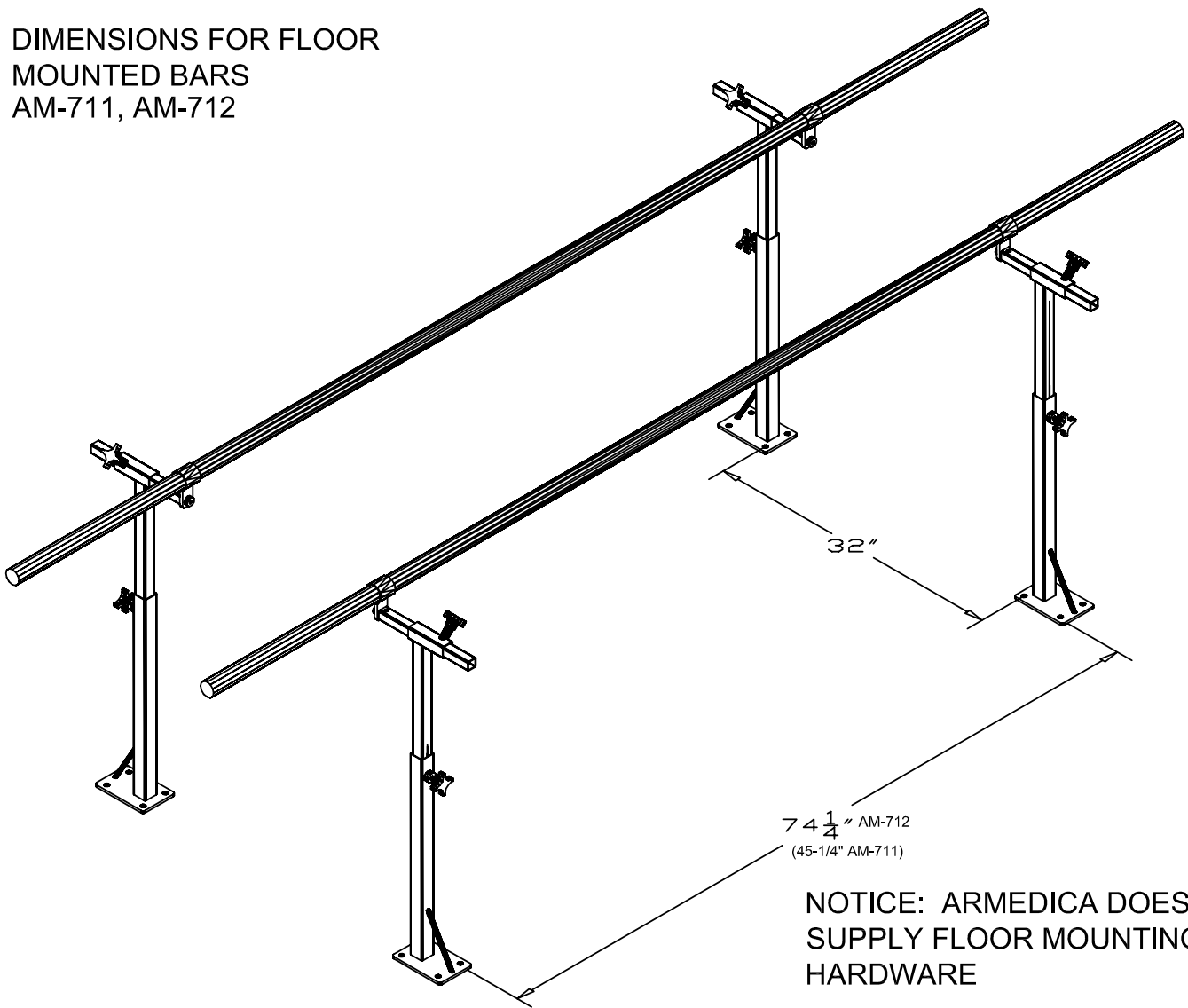
AM-700, AM-702 PARALLEL BARS



AM-710, AM-707
MANUAL PARALLEL BARS
FLOOR AND PLATFORM MOUNT

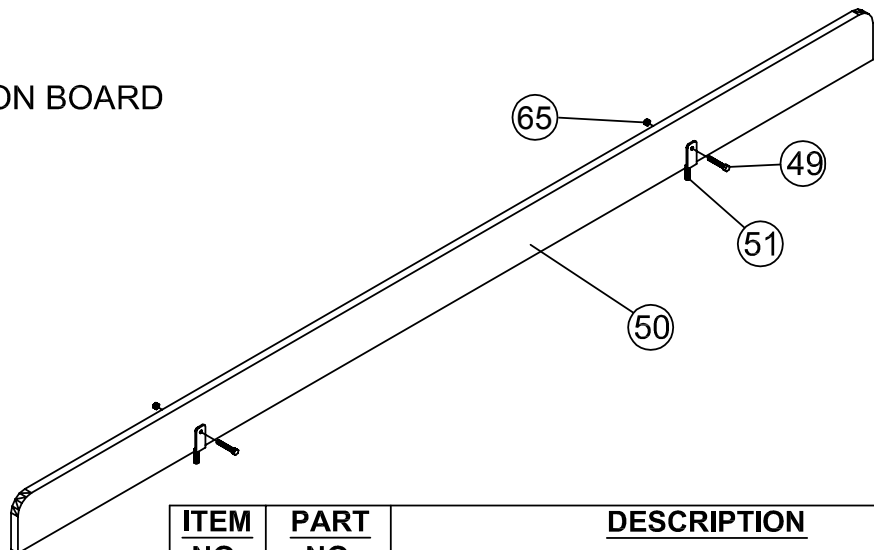


DIMENSIONS FOR FLOOR MOUNTED BARS AM-711, AM-712



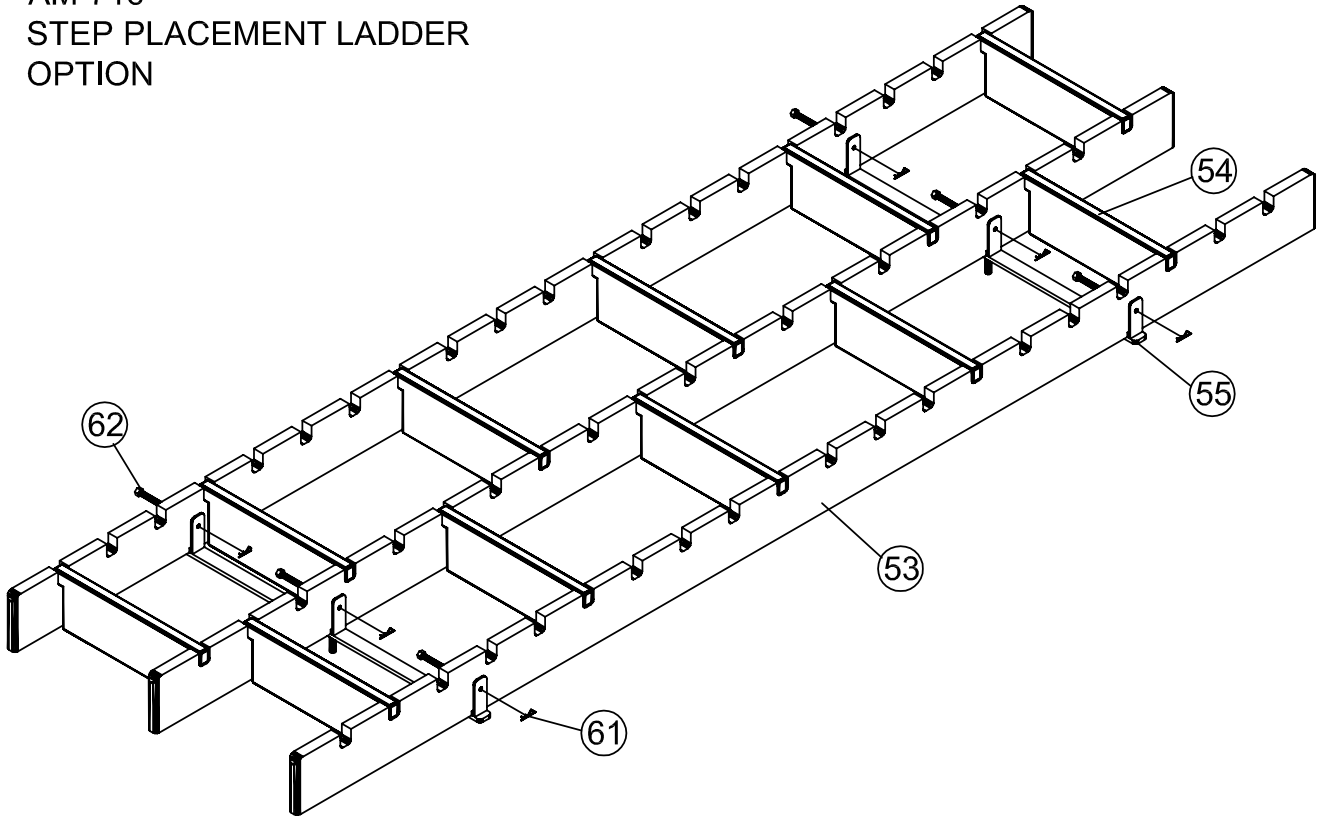
NOTICE: ARMEDICA DOES NOT SUPPLY FLOOR MOUNTING HARDWARE

AM-714 ABDUCTION BOARD OPTION



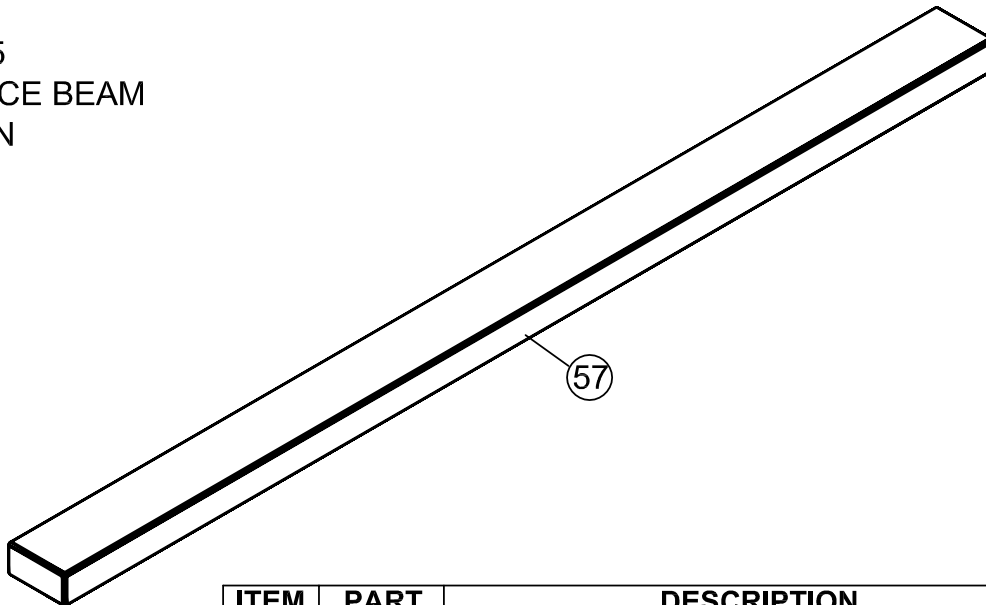
ITEM NO.	PART NO.	DESCRIPTION	QTY
65	02084	NUT NYLOCK 1/4-20 THIN PATTERN	2
49	02044	HEX HEAD CAP SCREW 1/4-20x1-1/4	2
50	14603	ABDUCTION BOARD 3/4X5X94	1
51	18668	PIN BRACKET	2

AM-716
STEP PLACEMENT LADDER
OPTION



<u>ITEM NO.</u>	<u>PART NO.</u>	<u>DESCRIPTION</u>	<u>QTY</u>
61	04705	HITCH PIN CLIP 1/16x3/16	6
62	02044	CLEVIS PIN 1/4x1-1/4	6
53	14602	LADDER NOTCHED BOARD 1X4X84	3
54	14606	LADDER CROSS SECTION 3/4X4X13-1/4	11
55	18659	LADDER GUIDE BAR	2

AM-715
BALANCE BEAM
OPTION



<u>ITEM NO.</u>	<u>PART NO.</u>	<u>DESCRIPTION</u>	<u>QTY</u>
57	14604	BALANCE BEAM 2-1/2X5X80	1

**ARMEDICA™ MANUFACTURING CORP.
LIMITED WARRANTY**

ARMEDICA™ Manufacturing Corp. warrants that the AM-700 Series Parallel Bars are free from defects in material and workmanship. This warranty shall remain in effect for 18 months from the date of original consumer purchase of the product. If the product fails to function during the warranty period due to a defect in material or workmanship, ARMEDICA™ Manufacturing Corp. or the selling Dealer will repair or replace the unit without charge within a 30 day period from the date on which the unit is returned to ARMEDICA™ Manufacturing Corp. or the selling Dealer. ARMEDICA™ Manufacturing Corp. has a policy of continuous improvement that may result in changes to specifications at any time.

THIS WARRANTY DOES NOT COVER

1. Replacement parts or labor furnished by anyone other than ARMEDICA™, selling dealer or approved ARMEDICA™ service agent.
2. Any failure of the unit during the warranty period if the failure is not caused by a defect in material or workmanship or if the failure is caused by unreasonable use, including the failure to provide reasonable and necessary maintenance.

**ARMEDICA™ MANUFACTURING CORP. IS NOT LIABLE FOR INCIDENTAL
OR CONSEQUENTIAL DAMAGE TO PROPERTY OR BUSINESS.**

To obtain service under this warranty, please do the following:

1. A written claim should be sent to ARMEDICA™ Manufacturing Corp., P.O. Box 880, Greenwood, AR. 72936-0880 or the selling Dealer.
2. The unit must be returned to ARMEDICA™ Manufacturing Corp. or the selling Dealer.
3. This warranty gives you specific legal rights and you may have other rights, which vary from state to state.

ARMEDICA™ does not authorize any person or dealer to create for it any other obligations or liabilities in connection with the sale of the units. Any representation or agreement not contained in this warranty shall be void.

ARMEDICA MANUFACTURING CORP. Greenwood, AR 72936-0880 Parallel Bars	
Model No. <input style="width: 80%;" type="text"/>	Serial No. <input style="width: 80%;" type="text"/>
Capacity 400 lb. (181 kg.)	
<small>DANGER: Risk of explosion if used in the presence of flammable anesthetics. Duty cycle: On/Off Int. 1 min./9 min. Medical Electrical Equipment with respect to electrical shock. Fire and mechanical hazards only in accordance with 2601-1. 120 Volts 60 Hz/6 Amps</small>	
<small>PN 06057 B</small>	