

## Chair Sensor Pad

Designed for chair use with Posey Fall Alarms ONLY!

**REF 8308** Reusable Chair Sensor Pad (6-Month)

**REF 8309** Single Patient Chair Sensor Pad (30-Day)

## Before You Begin

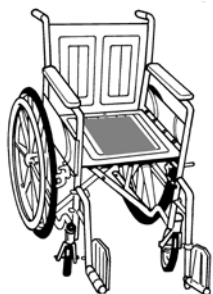
When used properly, Posey sensors and fall alarms alert staff that a patient has taken weight off the sensor and may be at immediate risk of falling. However, fall alarm systems DO NOT prevent falls and are not a substitute for good nursing care and regular visual monitoring.

### **CAUTION**

- This device may not be suitable for all high fall-risk patients. See Posey catalog for other options for such patients.
- To prevent damage, **NEVER** roll, fold, or crease sensor.
- **NEVER** connect Posey sensors to other manufacturers' alarm units.
- **NEVER** connect Posey Alarms to other manufacturers' sensors.

## Application Instructions:

1. Read all sensor and alarm instructions prior to use.
2. Check sensor pad, cord, and plug for damage. Discard entire sensor if there is any damage.
3. Place the sensor pad FLAT across the seat, label side UP. **NEVER** roll, fold, or crease sensor. Position cord to the back or side of the chair.
4. If needed, use an incontinence pad to prevent damage from urine or other liquids. If liquid enters at "neck" of sensor pad, alarm may not function.
5. Route sensor cord to Posey alarm and insert RJ11 plug.
6. Check to make sure sensor cord:
  - Is not stressed;
  - Is clear of moving parts of the chair; and
  - Does not pose a tripping hazard.
7. Make sure alarm is securely mounted with mode lights in clear view of staff, and that alarm works properly.



### **WARNING**

**To reduce the risk of serious injury or death:**

1. **ALWAYS** test sensor before leaving patient unattended.
    - Apply pressure to pad and then release. Do this at several places. Alarm should activate each time you remove pressure along the entire length of the pad.
- Note:** Seating or positioning aids or heavy cushions may keep alarm from activating. If test fails: remove or relocate aids; or try a different position for sensor, such as on top of cushion.

8308



8309



- If sensor fails any test, stop use at once and replace with a new sensor.
- Sensors past warranty expiration date may fail, causing false alarm or no alarm.

2. **NEVER** jerk or pull on sensor cord to remove RJ11 plug. Doing so will damage the cord or plug and may cause sensor to fail. **ALWAYS** use plastic tab to release plug.
3. **NEVER** roll, fold or crease sensor. This will damage sensor and may cause false alarm or no alarm.
4. **USE OF RESTRAINTS. NEVER** allow restraint straps to cross over sensor pad. Pressure from straps may keep alarm from activating. If a patient falls off the chair seat and becomes suspended in the restraint, serious injury or death may occur from chest compression or suffocation.



## Cleaning:

- Dampen a clean cloth with disinfectant. Take extra care with sensor plugs, and make sure liquid does not enter “neck” of sensor.
- **NEVER:** use any cleaner that contains Phenol or Benzyl; immerse in liquid; or sterilize with heat.
- Dry with a clean cloth.

## Storage:

- This device is designed for use in normal indoor environments.
- This device may be stored in ambient warehouse temperatures at normal humidity levels. Avoid excess moisture or high humidity that may damage product materials.

## Disposal:

**⚠WARNING** Dispose of per facility policy for BIOHAZARDOUS material. Be sure to follow all laws that apply.

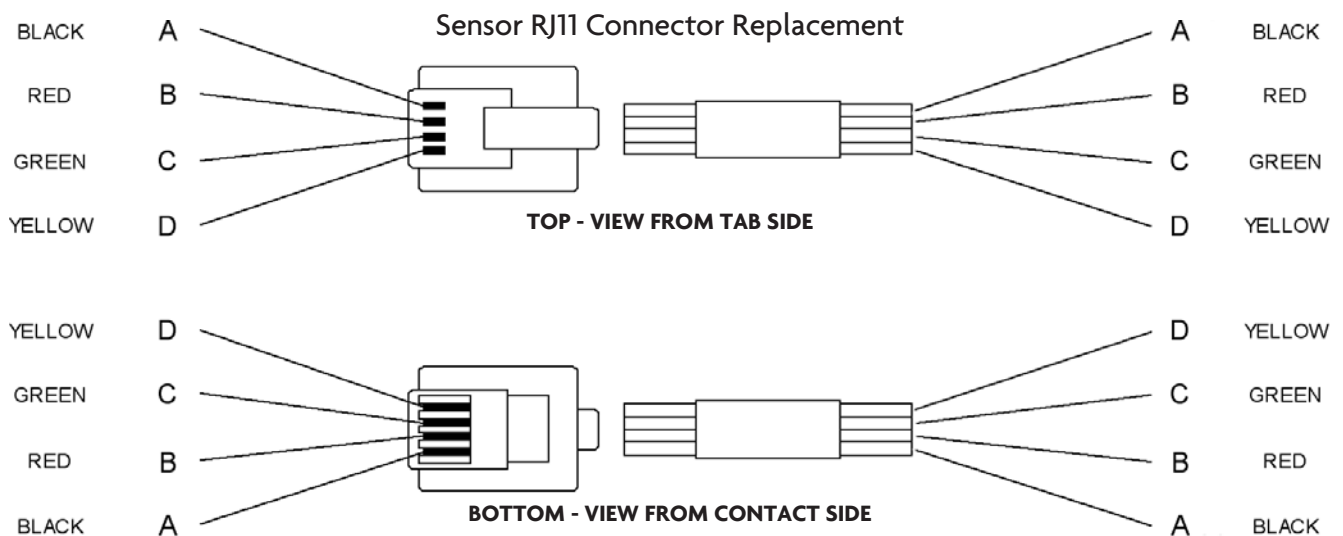
## Warranty:

**REF 8308** – This product is warranted for a period of six (6) months from date of first use.

**REF 8309** – This product is warranted for a period of thirty (30) days from date of first use.

**See Posey Catalog for Warranty details.**

**The instructions below should be performed by a trained technician or qualified biomed personnel.**



1.



2.



3.

1. Strip 1/4" (0.63 cm) of the gray cable cover to expose the four thin colored wires. DO NOT cut through the colored wires.
2. Place RJ11 plug over the correct colored wires, as shown in the diagram above.
3. Crimp RJ11 plug using a standard RJ11 crimping tool, making sure the colored wires are secure.

**Note:** RJ11 phone connectors and crimping tools are available at most hardware and/or electronic parts stores.