

## ASSEMBLY INSTRUCTIONS



### KA-3316

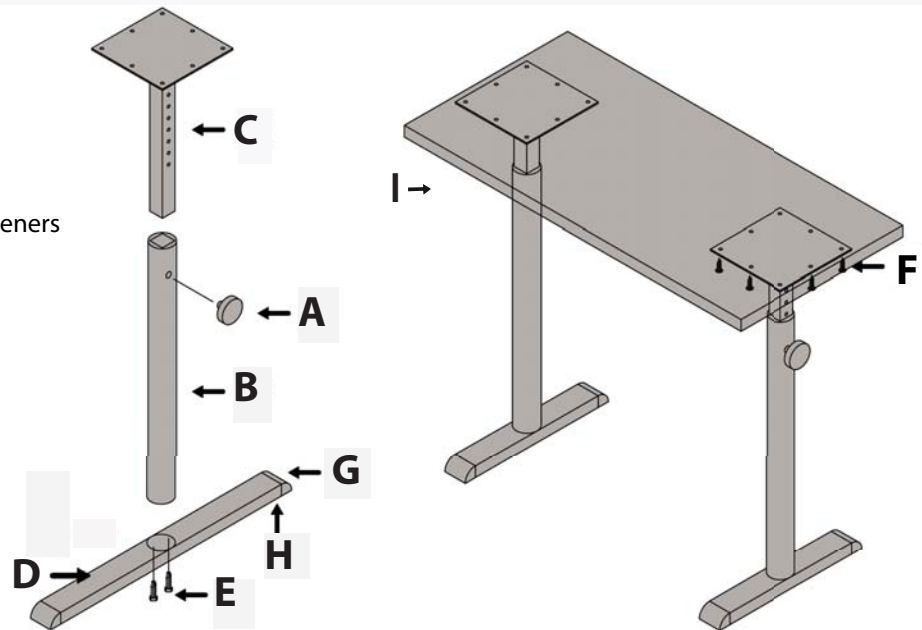
Height adjustable hand therapy table

#### PARTS INCLUDED:

- A (2) Retracting Knob
- B (2) Outer Leg Columns
- C (2) Inner Leg Tube/Plates
- D (2) Foot
- E (4) #12-24 x 1-1/2" Self Tap Hex Fasteners
- F (16) #10 X 1" Fasteners
- G (4) Toe Cap
- H (4) Levelers or Optional Casters
- I (1) Table Top

#### TOOLS NEEDED:

- Phillips Screwdriver
- 5/16" Wrench



#### ASSEMBLY INSTRUCTIONS:

- Step 1:** Unpack and identify all parts.
- Step 2:** Thread Retracting Knob (A) into Outer Leg Column (B) as shown.
- Step 3:** Slide Inner Leg Tube/Plate (C) into Outer Leg Column (B) and secure by tightening Knob.
- Step 4:** First line up attachment holes, then insert Outer Leg Column (B) into foot (D). The fit is very tight.
- Step 5:** Attach Foot (D) using two #12 - 24 X 1-1/2" Self Tap Hex Fasteners (E), tighten using 5/16" Wrench.
- Step 6:** Attach Toe Caps (G) and Levelers (H) to feet (D) or Optional Casters if supplied.
- Step 7:** Place Table Top (I) upside down on a padded surface.
- Step 8:** Line up legs to pre-drilled holes with adjusting Knobs facing out.
- Step 9:** Attach legs using #10 x 1" Phillips Fasteners (F).

**OPERATING INSTRUCTIONS:** To raise or lower the table, loosen adjusting Knob 1/4 turn while holding the table up. Pull out on knob, raise or lower to engage pin, then tighten knob until snug.

**CARE AND MAINTENANCE:** Clean the Table Top and legs using a soft cloth and gentle, non-abrasive cleaner for fine furniture.