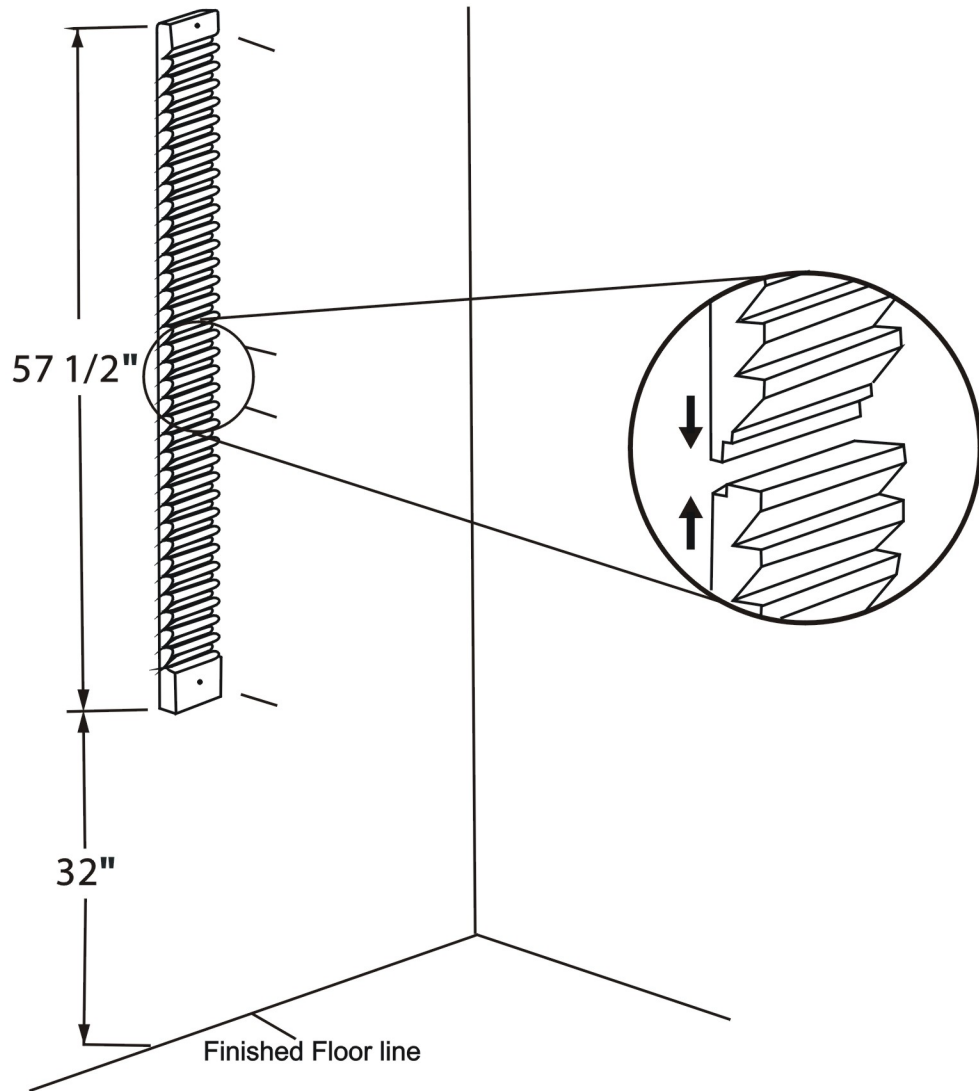


# INSTALLATION INSTRUCTIONS SHOULDER ABDUCTION LADDER



**Note: Recommended mounting height is approximately 32" from finished floor.**  
**1. Fasten Ladder to wall with four, 2 1/2" pan Head Screws thru pre drilled holes.**

## \* Parts List \*

<u>QUANTITY</u>	<u>PART NUMBER</u>	<u>DESCRIPTION</u>
1	2285	SHOULDER LADDER
4		2 1/2" PAN HEAD WOOD SCREW



Sammons Preston  
 A Patterson Medical Company  
 1000 Remington Blvd.  
 Suite 210  
 Bolingbrook, IL 60440-5117

©Patterson Medical Company UN25  
 All rights reserved.

1-800-323-5547  
 www.sammonspreston.com