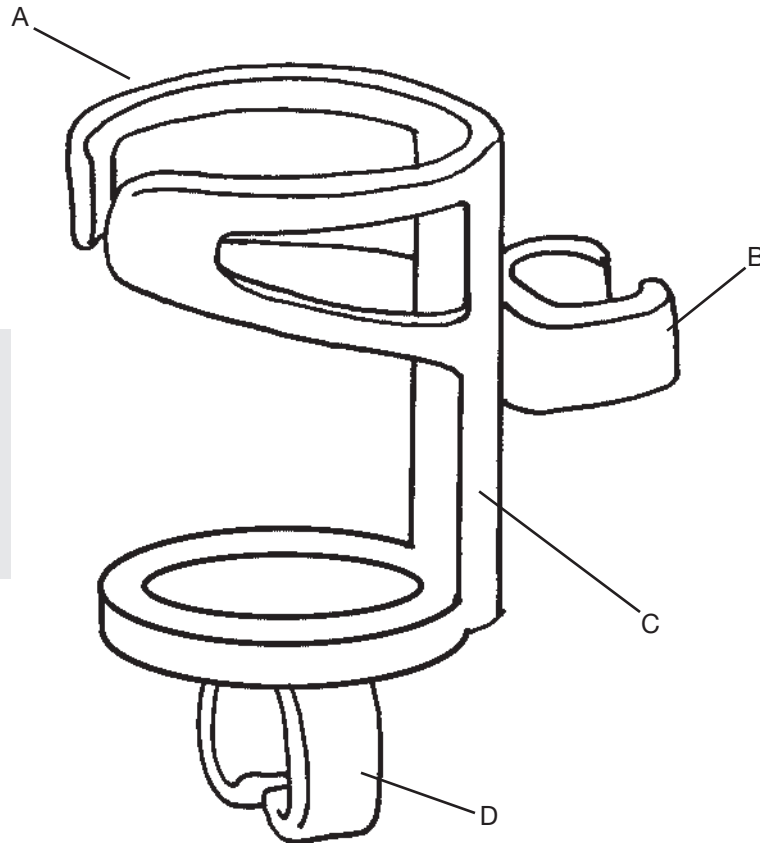


The Sammons Preston Wheelchair Beverage Holder, Desk Arm

1143

Illustration Key

- A. Top Ring
- B. Top Spring Clip
- C. Upright Tube
- D. Bottom Spring Clip



Instructions

1. Use the top ring on the beverage holder to adjust the opening to fit a container that has a diameter of 2½" to 3".
2. The top spring clip of holder will click into place after it is pressed against the upright or vertical tube. The bottom spring clip snaps into position when the holder is moved down the upright tube.
3. Remove the holder by grasping the clips and sliding them slowly from the tube.



Sammons Preston
A Patterson Medical Company
1000 Remington Blvd., Suite 210
Bolingbrook, IL 60440
Phone: 800-323-5547
Direct Phone: 630-378-6000
Fax: 800-547-4333
Direct Fax: 630-378-6310



Sammons Preston
A Patterson Medical Company
W68 N158 Evergreen Blvd.
Cedarburg, WI 53012



Authorized European Representative
Homecraft Rolyan
A Patterson Medical Company
Nunn Brook Road, Huthwaite
Sutton-In-Ashfield, Nottinghamshire NG17
2HU
United Kingdom
Phone: 08702 423 305
Fax: 08701 660 211

International
Phone: +44 1623 759 146
Fax: +44 1623 726 886

© February 2009
Patterson Medical Products, Inc.