

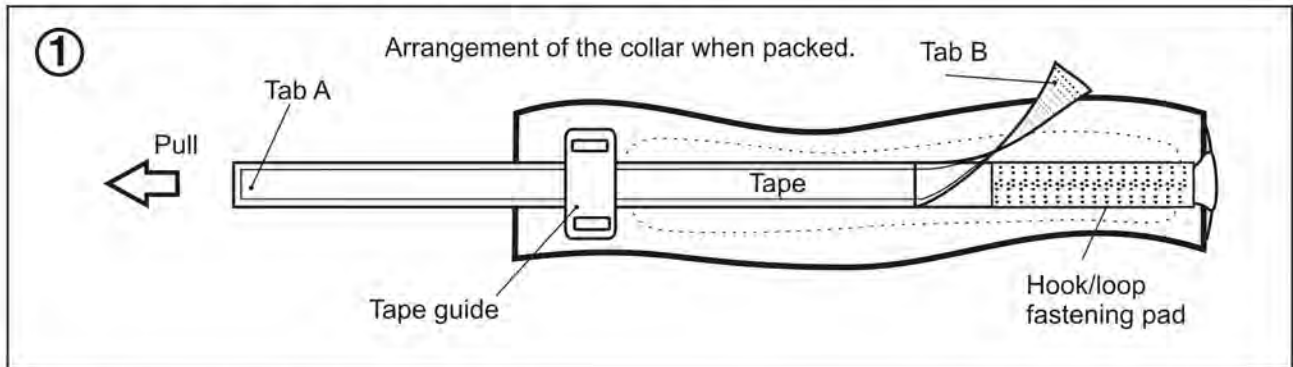


Item # 307301 - 307303

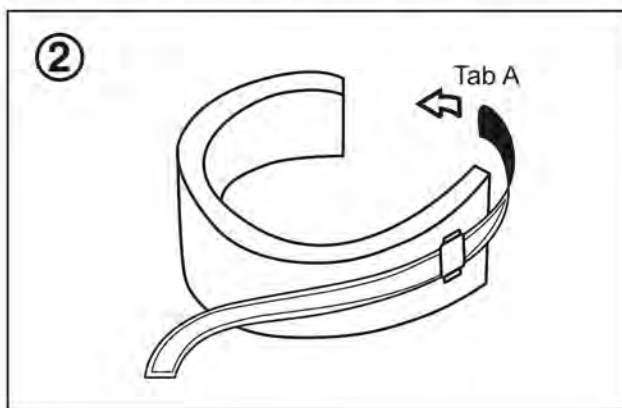
Front - Fastening Cervical Collar

PATTERSON
MEDICAL

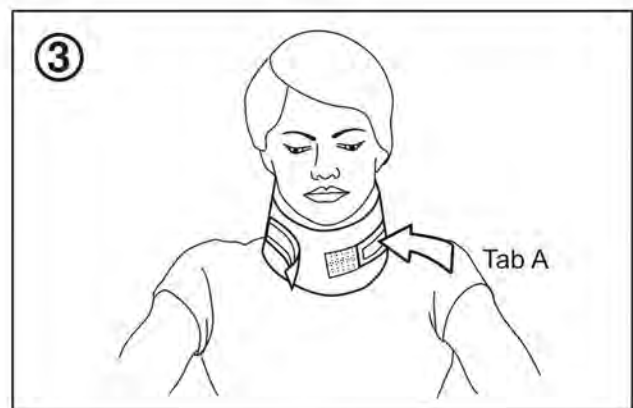
Assembly Instructions



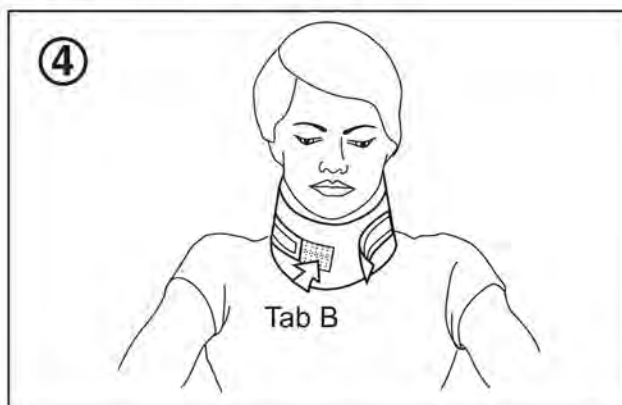
Release Tab B and pull the tape through the guide



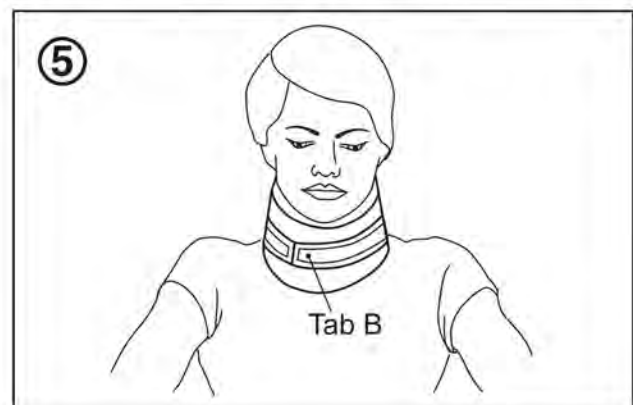
Pull Tab A around the back of the collar



Engage approximately half of the hook/loop fastening pad



Place the collar over the head and draw Tab B back through the guide so it's on the hook/loop fastening pad.



The collar should now fit correctly around the neck. To remove the collar simply detach Tab B.

This collar has been designed for those patients who are not able to manage the back fastening type due to restricted arm movement. By bending the head forward the collar can be positioned easily.

Made in China for Patterson Medical

CE

PATTERSON
MEDICAL

Patterson Medical
1000 Remington Blvd.
Suite 210
Bolingbrook, IL 60440
Phone: 800-323-5547
Direct Phone: 630-378-6000
Fax: 800-547-4333
Direct Fax: 630-378-6310