



POSITIONING: Head - Lateral - Anterior - Hip/Pelvic - Abductor/Adductor - **Knee** - Foot - Replacement Parts
Knee Support

Multi-Axis Knee Adductor Hardware & Pads

- Multi-Axis hardware has 3 pivot points
- 1 1/4" thick pads are all-black textured urethane self-skinning foam
- Optional neoprene cover with gel insert
- Swings away when attached to footrest hanger
- Two sizes available, 7/8" and 1"

<u>Knee Adductor Hardware For 7/8" Tubes</u>	<u>Pair</u>	<u>Single</u>
Hardware w/3" x 4" Pads	.50277	31547
Hardware w/4" x 6" Pads	.50278	31548
Hardware w/5" x 7" Pads	.50279	31549

<u>Knee Adductor Hardware For 1" Tubes</u>	<u>Pair</u>	<u>Single</u>
Hardware w/3" x 4" Pads	.50280	31532
Hardware w/4" x 6" Pads	.50281	31533
Hardware w/5" x 7" Pads	.50282	31534

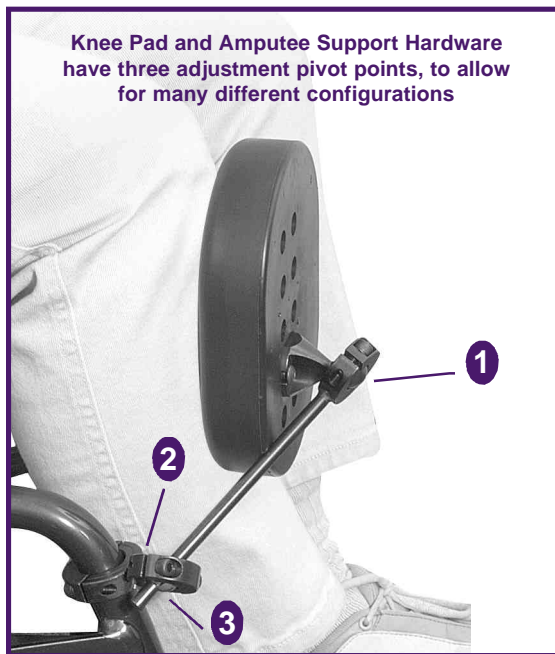
Neoprene Cover With Gel Insert

Cover for 3" x 4" Pad (1)	.50048
Cover for 4" x 6" Pad (1)	.50049
Cover for 5" x 7" Pad (1)	.50050

Replacement Rotational Section of Figure-8 Clamp

For 7/8" Tube	.31545
For 1" Tube	.31544

WE USE **SynerGel™**
Dynamic Floatation Polymer



Knee Pad and Amputee Support Hardware have three adjustment pivot points, to allow for many different configurations

Multi-Axis Amputee Support Hardware

- Multi-Axis hardware has 3 pivot points
- Contoured pads are all-black textured urethane self-skinning foam
- Optional neoprene cover with gel insert or wool pad cover available
- Swings away when attached to footrest hanger
- Two sizes available, 7/8" and 1"

<u>Amputee Support Assembly For 7/8" Tubes</u>	<u>For 1" Tubes</u>
Hardware w/5" x 8" Pad	.31552 31514
Hardware w/7" x 10" Pad	.31553 31515
Hardware Only, No Pad	.31556 31557

Neoprene Cover With Gel Insert

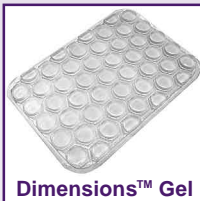
Cover for 5" x 8" Pad	.32390
Cover for 7" x 10" Pad	.32391

Wool Cover

Cover for 5" x 8" Pad	.32388
Cover for 7" x 10" Pad	.32389

Replacement Pad

5" x 8" Pad	.31542
7" x 10" Pad	.31498



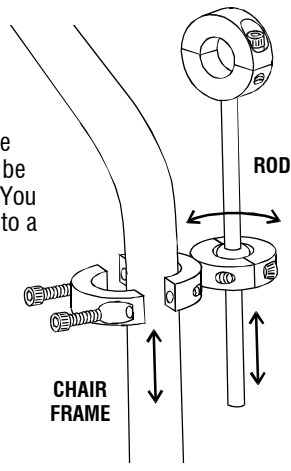
Replacement Rotational Section of Figure-8 Clamp

For 7/8" Tube	.31545
For 1" Tube	.31544

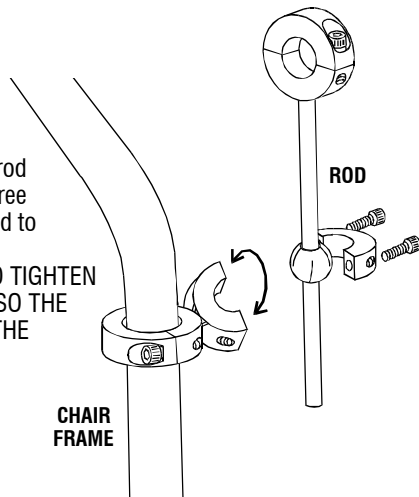


Knee Pad Assembly

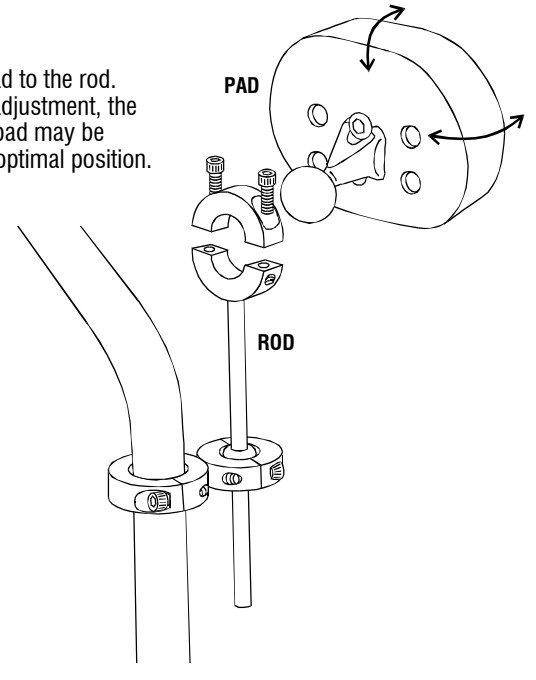
1. Attach the hardware to the chair.
During final adjustment, the angle of the rod may be changed, and the rod may be raised or lowered for optimal position. You can also move the attaching hardware to a different position on the chair frame.



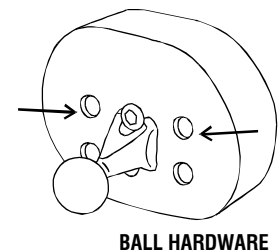
2. If desired, the angle of the rod may be adjusted in 15-degree increments. Remove the rod to access the set screw. **IT IS VERY IMPORTANT TO TIGHTEN THE SET SCREW FIRMLY SO THE ASSEMBLY REMAINS AT THE DESIRED ANGLE!**



3. Attach the pad to the rod.
During final adjustment, the angle of the pad may be adjusted for optimal position.



4. The ball hardware that is attached to the back of the pad can be moved to the alternate holes for optimal pad position.

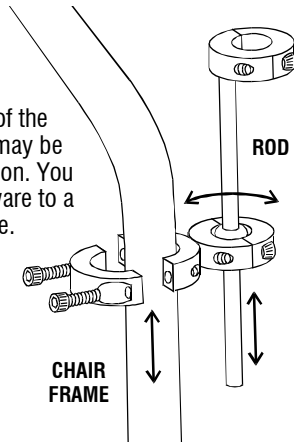


08841

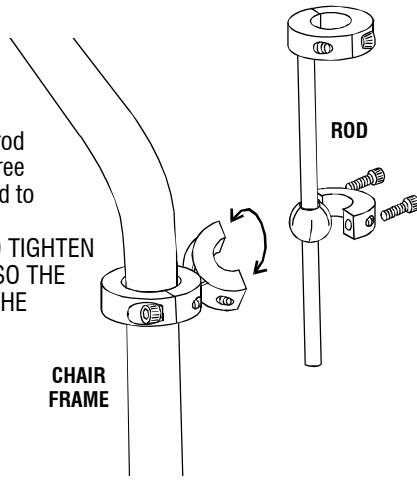
Amputee Support

IMPORTANT NOTE: The Amputee Support is designed to support an amputated leg. The Amputee Support is NOT designed to support the weight of an entire body during transfer, or the weight of a caregiver.

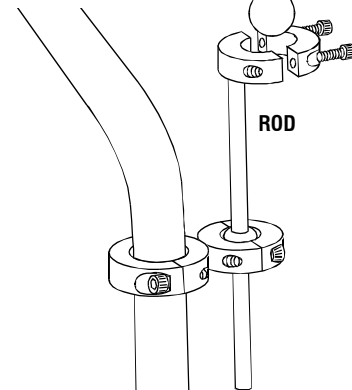
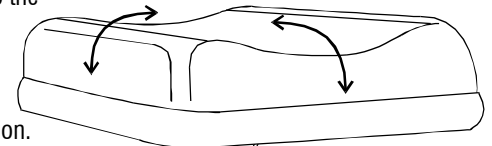
1. Attach the hardware to the chair. During final adjustment, the angle of the rod may be changed, and the rod may be raised or lowered for optimal position. You can also move the attaching hardware to a different position on the chair frame.



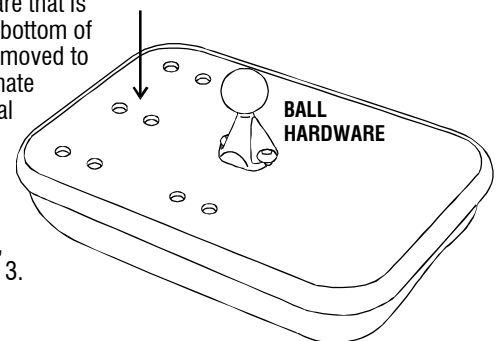
2. If desired, the angle of the rod may be adjusted in 15-degree increments. Remove the rod to access the set screw. **IT IS VERY IMPORTANT TO TIGHTEN THE SET SCREW FIRMLY SO THE ASSEMBLY REMAINS AT THE DESIRED ANGLE!**



3. Attach the pad to the rod. During final adjustment, the angle of the pad may be adjusted for optimal position.



4. The ball hardware that is attached to the bottom of the pad can be moved to any of the alternate holes for optimal position. The pad will have to be removed from the rod in order to do this, as seen in Step 3.



08835