



THE COMFORT COMPANY

Quietly making lives more comfortable™

Back Installation

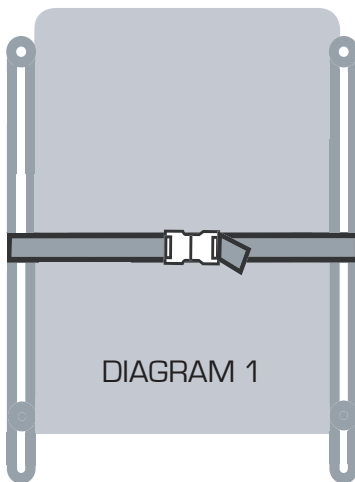


DIAGRAM 1

See diagram 1 for SideHugger®, Contour Visco Back, and the Comfort Back

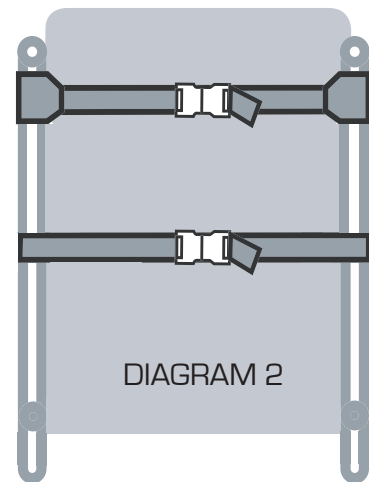


DIAGRAM 2

See diagram 2 for SideHugger® Tall and the Tall Back.

1

Place back in front of existing wheelchair back.

2

Grab straps and wrap around tubing.

3

Connect straps, and tighten.